



akpen®

New Line

TECHNICAL PRODUCT CATALOG

UPVC & ALUMINIUM
WINDOW & DOOR
ACCESSORIES



www.akpennew.com





akpen[®]
New Line

“COOPERATION”



30 yıl
years

www.akpennew.com

INFO.....	01-06
TILT AND TURN SYSTEMS.....	07-47
TILT AND SLIDE SYSTEMS.....	48-65
MULTIPOINT LOCKS.....	66-77
TURN - ONLY SYSTEMS.....	78-86
MORTICE LOCKS.....	87-93
MINI LOCK SET.....	94-95
HINGES.....	96-107
HANDLES.....	108-137
SAFETY LATCHES.....	140-141
OTHER HANDLES.....	142-143
STRIKERS.....	144-145
MULLION CONNECTORS.....	146-149
LOCKING PLATES.....	150
TRANSOM GROUP.....	151
SLIDING ACCESSORIES	152
FLYSCREEN ACCESSORIES.....	153
SCREWS GROUP.....	154
INSULATING GLASS GROUP.....	155
OTHER ACCESSORIES.....	156
ALUMINIUM GROUP.....	157-165



About Us

Our company started its activities with a small workshop in 1988. Nowadays, our company exports to 40 countries employing 370 people and manufacturing products in 26.000 square meters modern and high technology contained closed area factory located in Istanbul Hadimkoy.

Company Akpen, which has adopted the principle of Sustainable Quality Approach and Maximum Customer Satisfaction, has continued its investments in the field of automation and production technologies since 2010 and has become a brand frequently mentioned in the sector with its environmentally friendly high-tech production techniques and developed products.

With more than 30 years of manufacturing experience and experienced staff, it has achieved its goals. Akpen continues to lead his new targets without slowing down and is moving forward with sure steps towards becoming a worldwide known brand.



Turn and turn-tilt fittings for windows and patio doors

According to the current product liability legislation dealing with a manufacturer's liability for his products please observe the following information on turn and turn-tilt fittings for window and patio door sashes. The manufacturer will not accept any liability for noncompliance with these specifications.

1. Product Information and intended use Turn and turn-tilt fittings within the meaning of this definition are single handle turn-tilt fittings for windows and patio doors as used in building applications. These interact with a manually operated handle to bring windows and window sashes into a turn or a tilt position as defined by the design of the shears. Turn and turn-tilt fittings are used on vertical installation windows and patio doors made of wood, PVC-U, aluminium or steel and corresponding combinations of materials. Standard turntilt fittings within the meaning of this definition are used for securing window and patio door sashes and to position them in different ventilation positions. Normally it is necessary to overcome the counter force of a seal when closing. Any other type of usage is not in accordance with the intended application. Windows and patio doors for special applications (i.e. burglarresistance or for installation in humid conditions / in environments with corrosive atmospheric substances) require special fittings with separately agreed performance criteria, designed for the particular application. Open window and patio door sashes only have a protective function and do not meet requirements in terms of joint sealing, watertightness under heavy rain, sound proofing, heat insulation or burglar resistance. When it is windy or draughty, windows and window sashes need to be closed and locked. Windy or draughty as used in this definition means conditions when window or patio door sashes open or close unexpectedly by themselves as a result of air pressure or suction. A fixed open position of the window or patio door sashes can only be achieved by means of supplementary locking fittings. Resistance to loads imposed by wind on closed and locked windows depends on the design and construction of the individual windows / patio doors concerned. If wind stresses to DIN EN 12210 (pressure level p3 in particular) have to be withstood, suitable combinations of fittings must be designed and agreed separately for the design of window and frame material concerned. In general, the turn and turn-tilt fittings are able to meet the requirements to DIN 18025 relating to low-threshold design of flats. However, in this case special combinations and assembly of fittings are needed which must be adjusted and approved separately.

2. Misuse

Misuse – i.e. the use of a product in a manner contrary to the manufacturer's instructions – of turn-tilt fittings for windows and patio doors occurs

- if obstacles are placed in the opening area preventing the intended use.
- if sashes of window / patio doors are pushed or hit against the window reveal, either contrary to the manufacturer's instructions or in an uncontrolled way (e.g. by wind), that the fittings, the frame materials or other individual parts of the window sash or the patio door sash are damaged or destructed or subsequent damage occurs.

- if additional loads act on the sashes of windows or patio doors (e. g. children swinging on them).
- if someone grasps in the gap between the frame and sash when closing the window (risk of injury).

3. Liability

All fittings must be selected from the original fitting component range. We accept no liability in case of use of third party or non-approved system components.

Attention: The screw / clamping connection of fitting components, such as corner, shear and sash hinges, must be designed according to the TBDK guidelines. Please adapt the fixing procedure to the load situation.

4. Product Capabilities - Application instructions of the manufacturer The maximum sash weights for the individual types of fitting must not be exceeded. The component with the lowest permissible loading capacity determines the maximum weight of the sash. Please observe the diagrams and component installation instructions.

4.1 Sash sizes and areas of application

The graphs in the application diagram show the permitted sash rebate height to width ratios, as determined by different weights of glass and/or overall glass thicknesses. The resulting sash rebate dimensions or sash formats (portrait / landscape) and the maximum sash weight must under no circumstances be exceeded.

4.2 Application diagram for determination of the permissible sash sizes The application diagrams for this fitting series for the determination of permissible sash sizes are described and explained separately on the following pages!

4.3 Composition of fittings

You must comply with the manufacturer's specifications regarding the configuration of fittings (e.g. the use of additional shears, the layout of fittings for burglary-resistant windows and patio door sashes, etc.).

5. Product maintenance

Security-relevant fitting parts are to be inspected at least once a year to check for wear and to ensure they are firmly secured in position. Fastening screws must be tightened and faulty components must be replaced as required. The following servicing work must also be carried out at least once a year. All mobile parts and locking points for fittings should be greased and tested for function. Only oils and greases not affecting the materials of the fitting may be used. The only cleaning and maintenance materials to be used are those which will not adversely affect the corrosion-resistant properties of the fittings components. Adjustment work to the fittings particularly in the area of the corner drive and the shears as well as the replacement of parts and mounting and removal of opening sashes must be carried out by a trained specialist. General product information

5.1 Maintaining surface quality

- The fittings and rebate spaces must be adequately ventilated, particularly during the construction stage, so that they are not exposed to the direct effects of moisture or condensation. It must be ensured in any case by appropriate measures that there is no possibility for (permanently) humid room air to condense in the

rebate area.

- The fittings must be kept free from deposits and soiling due to building materials (building dust, gypsum plaster, cement etc.). Possible soiling from plaster, mortar etc. must be removed prior to bonding with water.

- Corrosive vapours (e.g. formic acid, acetic acid, ammonia, amine and ammonia compounds, aldehydes, phenols, chlorine, tannic acid etc.) in the rebate space combined with even a small amount of condensation can cause rapid corrosion of the fittings. Therefore, such exhalations in the area of the windows must be avoided.

- Furthermore no sealants that cure with acetic or other acids, or sealants containing any of the above-mentioned substances, must be used. Both direct contact with the sealant and vapours released from it can damage the surface.

- Only use a mild and pH neutral detergent to clean the fittings. Under no circumstances use aggressive acidic cleaners or scouring agents containing the substances listed above.

6. Obligations to give information and instructions For the implementation of information and instruction obligations as well as for the maintenance work the following documents are available. They must be submitted to (intermediate) dealers and manufacturers and to the end customer. Planning documentation Product catalogues Mounting instructions Maintenance and care instructions as well as operating instructions

7. Use of type-related fittings

The variants for the individual fitting systems (e.g. tilt and top hung sash fittings or parallel action fittings providing an additional ventilation position by means of a circumferential gap all around the sash) must be used considering the product information, intended use, misuse, product capabilities, product maintenance and the obligations regarding the information and instruction.

8. Storage

Before the fitting components are assembled, they must be stored on a dry, protected and level surface.

Technical Support:

Akpen Plastik Pencere Aksesuarları
Nakliye Sanayi İç ve Dış Ticaret A.Ş.
Hadımköy Mah. Uçurtma Sk. No:6
Arnavutköy / İstanbul / Turkey
Phone : +90 212 798 34 34 PBX
Fax : +90 212 798 35 28
technicalsupport@akpennew.com

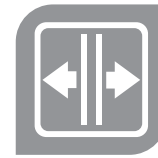
Storage & Warehouse Instructions



Do Not Stow The
Palettes
Rough-And-Tumble



Protection Against
Mechanic Damage



Leave 10cm Space
Between Palettes
When Loading And
Storage



Protection Against
Moisture

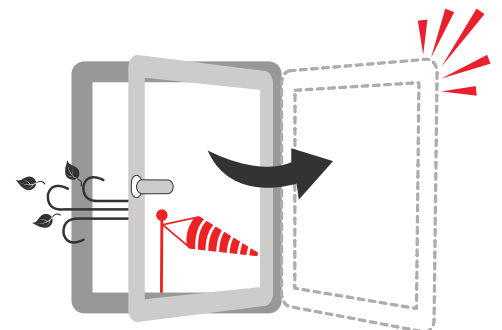
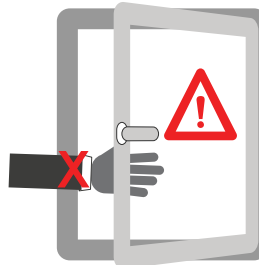
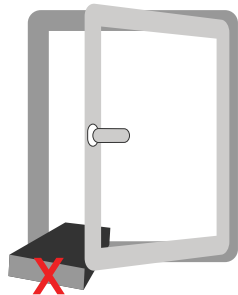
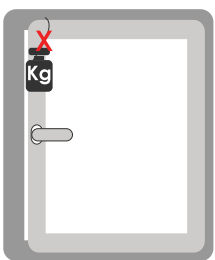


Protection Against
Dust And Dirth



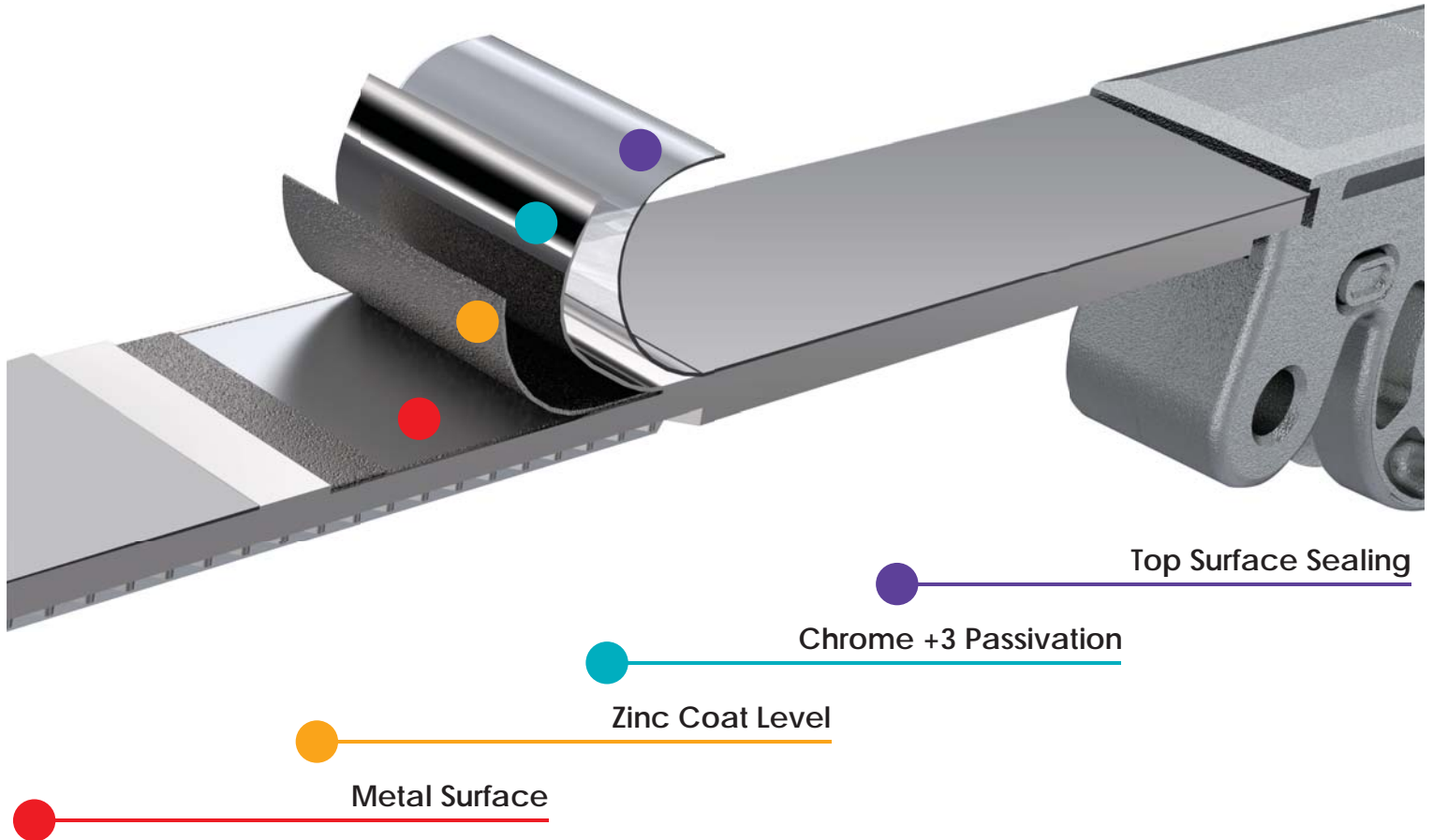
Recycle All Packing
Elements

Safety Instructions



Coating Process Information

Akpen products have maximum corrosion resistance according to EN 9727 standard.



Locking Type Options



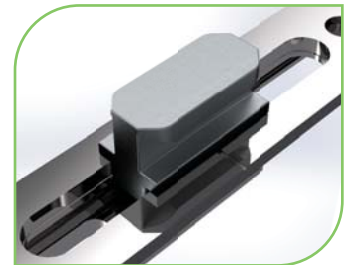
ELP
Standard Locking Point



GLP
Security Locking Point



SLP
Sliding Locking Point

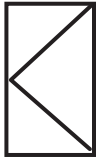


ZLP
Zinc Locking Point



Tilt And Turn Systems

Available Applications



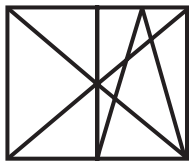
Turn Only



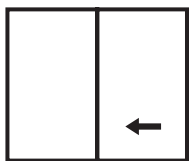
Tilt Only



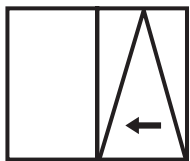
Tilt And Turn



Double Sash
(All Available)

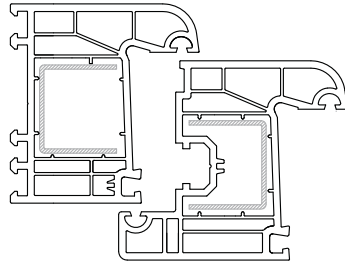


Simple Sliding

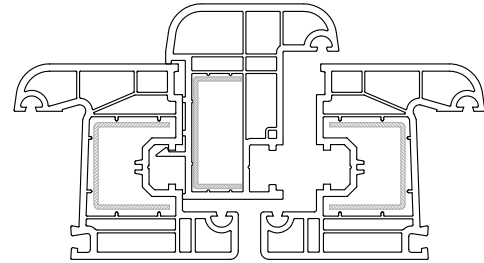


Tilt And Slide

Single Sash Construction



Double Sash Construction

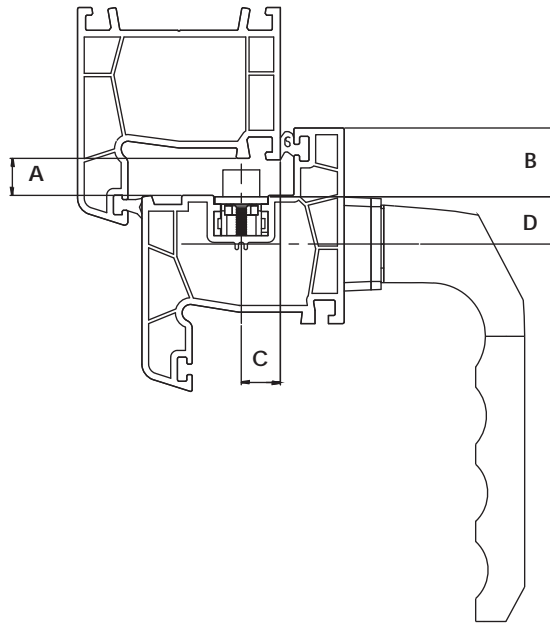


Sash Rebate Gap (A): min. 12 mm

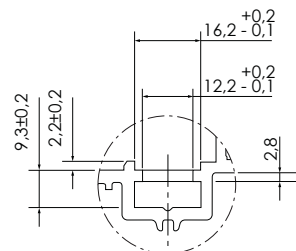
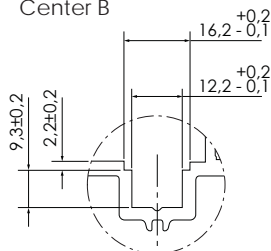
Sash Overlap (B): 20 mm

Sash Groove Position (C): 9 mm / 10 mm / 13 mm / 14 mm

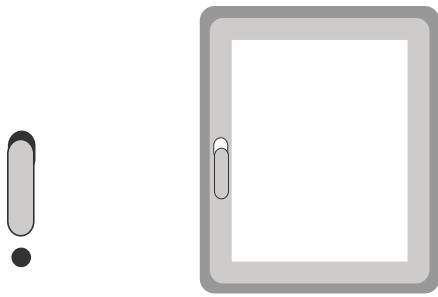
Espagnolette Backset (D): 7,5 mm / 15 mm / 30 mm



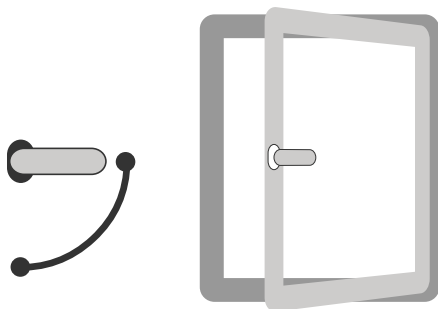
Center B



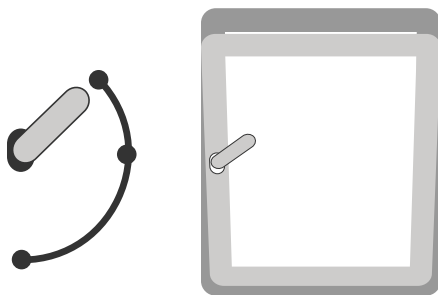
Dimensions for plastic profile according RAL as of February 1998.



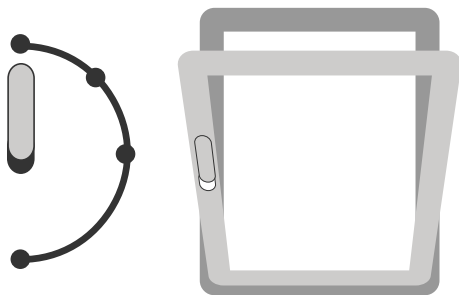
Pos-1: Closed (Locked)



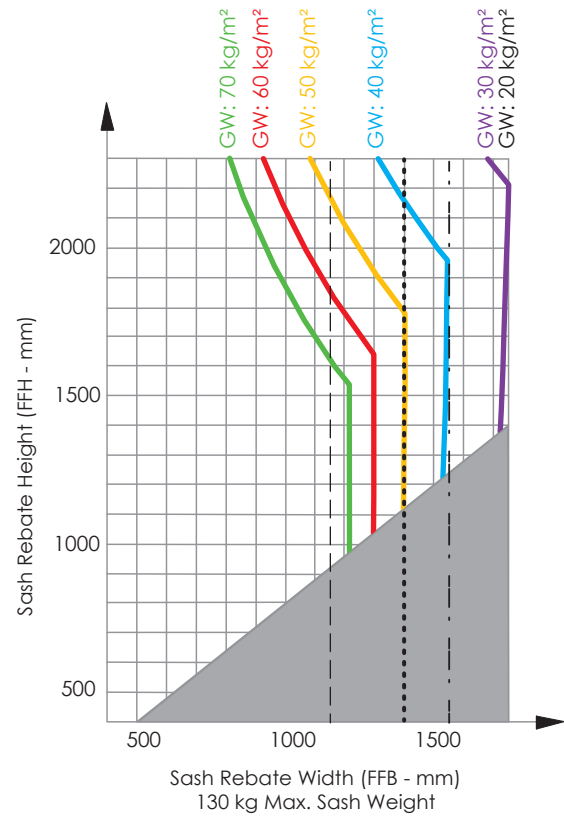
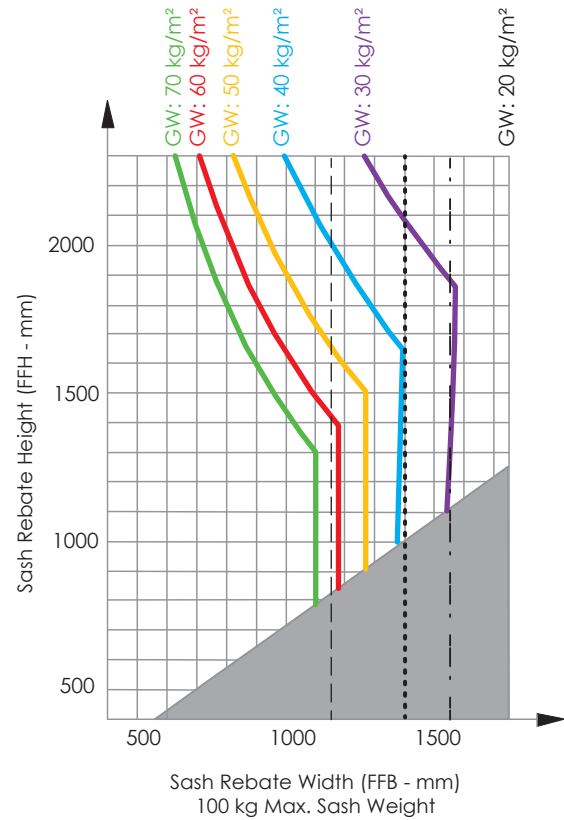
Pos-2: Turn Position



Pos-3: Ventilation Position



Pos-4: Tilt Position



Explanations:

GW: Glass Weight

1mm Thickness Of 1m² Glass Weight Is Considered As 2,5 kg

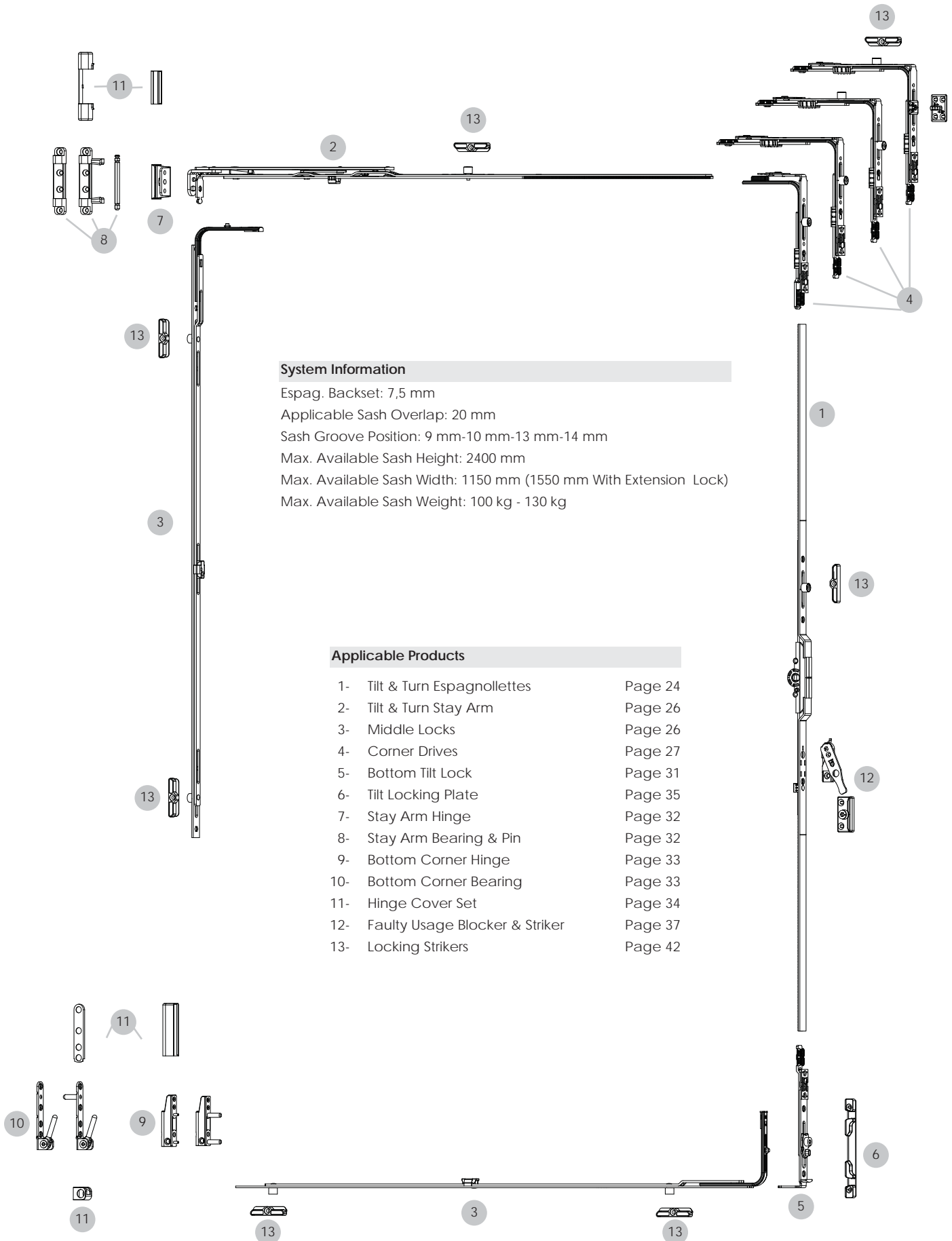
Max. Sash Rebate Width With Stay Arm (900-1150 mm)

Max. Sash Rebate Width With Stay Arm (900-1150 mm) + 250 mm Extension Gear

Max. Sash Rebate Width With Stay Arm (900-1150 mm) + 400 mm Extension Gear

Tilt And Turn Systems

7,5 mm Backset Basic Security Level

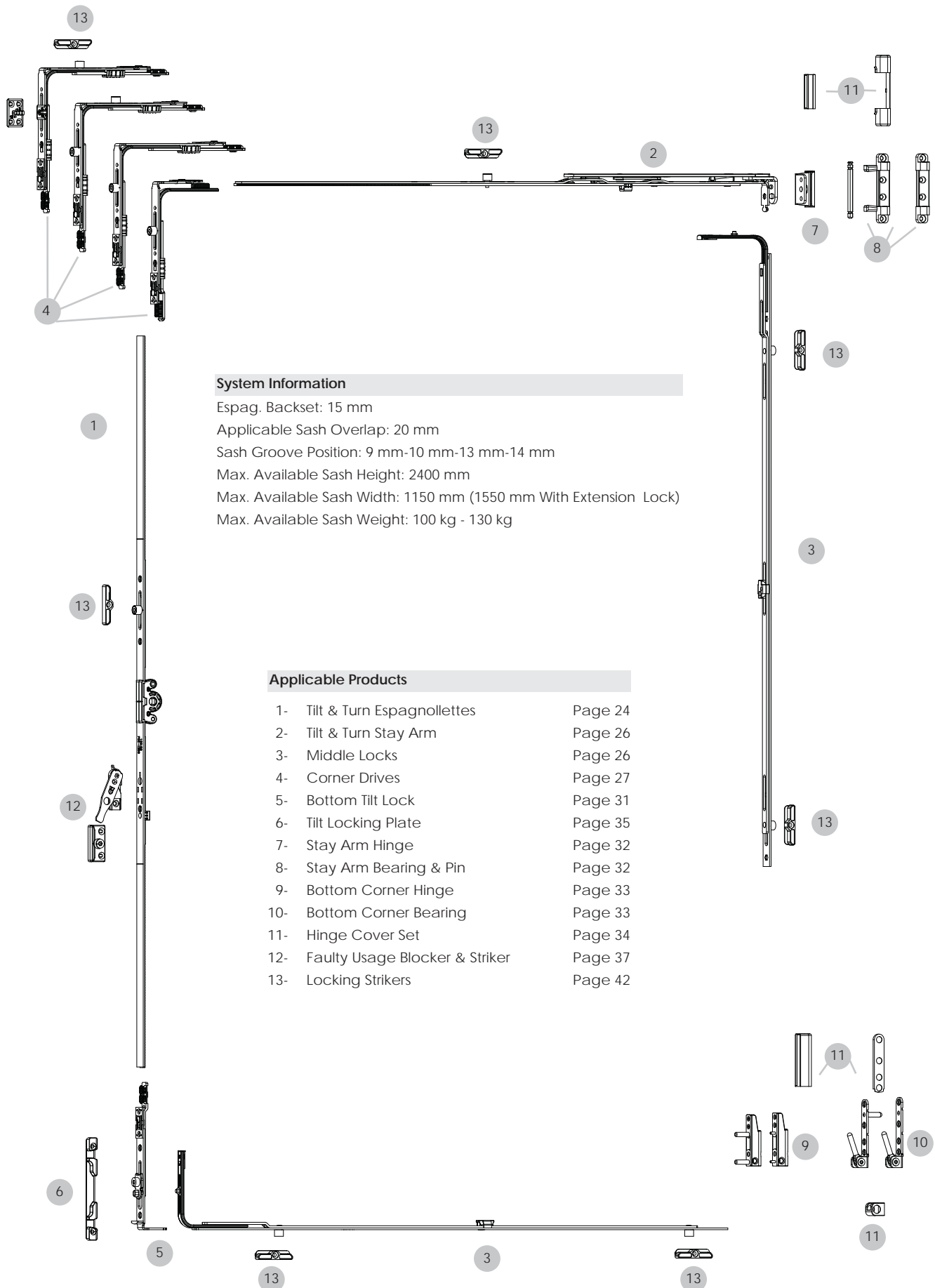


System Information

Espag. Backset: 7,5 mm
 Applicable Sash Overlap: 20 mm
 Sash Groove Position: 9 mm-10 mm-13 mm-14 mm
 Max. Available Sash Height: 2400 mm
 Max. Available Sash Width: 1150 mm (1550 mm With Extension Lock)
 Max. Available Sash Weight: 100 kg - 130 kg

Applicable Products

1-	Tilt & Turn Espagnollettes	Page 24
2-	Tilt & Turn Stay Arm	Page 26
3-	Middle Locks	Page 26
4-	Corner Drives	Page 27
5-	Bottom Tilt Lock	Page 31
6-	Tilt Locking Plate	Page 35
7-	Stay Arm Hinge	Page 32
8-	Stay Arm Bearing & Pin	Page 32
9-	Bottom Corner Hinge	Page 33
10-	Bottom Corner Bearing	Page 33
11-	Hinge Cover Set	Page 34
12-	Faulty Usage Blocker & Striker	Page 37
13-	Locking Strikers	Page 42



System Information

Espag. Backset: 15 mm

Applicable Sash Overlap: 20 mm

Sash Groove Position: 9 mm-10 mm-13 mm-14 mm

Max. Available Sash Height: 2400 mm

Max. Available Sash Width: 1150 mm (1550 mm With Extension Lock)

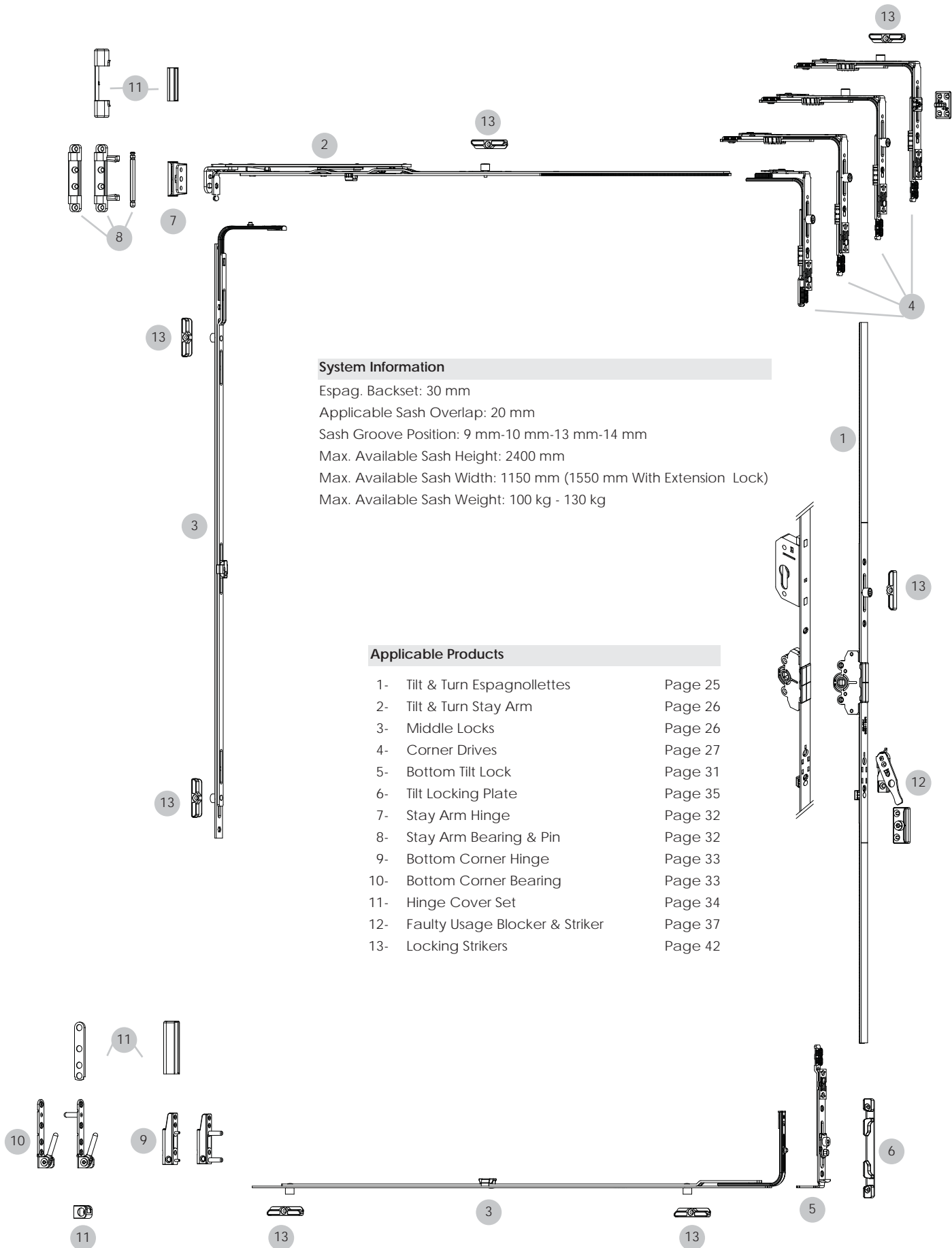
Max. Available Sash Weight: 100 kg - 130 kg

Applicable Products

1- Tilt & Turn Espagnollettes	Page 24
2- Tilt & Turn Stay Arm	Page 26
3- Middle Locks	Page 26
4- Corner Drives	Page 27
5- Bottom Tilt Lock	Page 31
6- Tilt Locking Plate	Page 35
7- Stay Arm Hinge	Page 32
8- Stay Arm Bearing & Pin	Page 32
9- Bottom Corner Hinge	Page 33
10- Bottom Corner Bearing	Page 33
11- Hinge Cover Set	Page 34
12- Faulty Usage Blocker & Striker	Page 37
13- Locking Strikers	Page 42

Tilt And Turn Systems

● 30 mm Backset Basic Security Level

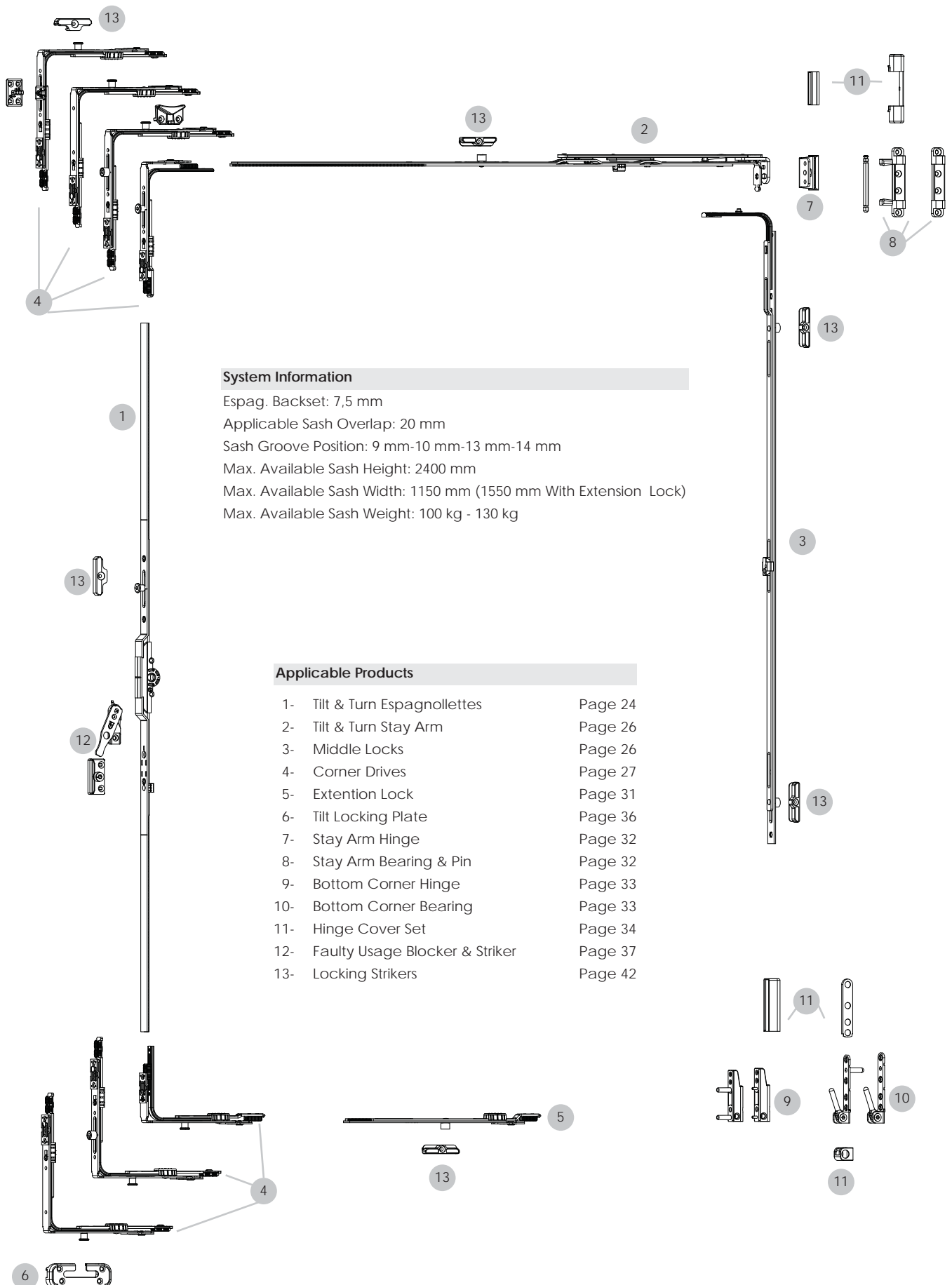


System Information

Espag. Backset: 30 mm
 Applicable Sash Overlap: 20 mm
 Sash Groove Position: 9 mm-10 mm-13 mm-14 mm
 Max. Available Sash Height: 2400 mm
 Max. Available Sash Width: 1150 mm (1550 mm With Extension Lock)
 Max. Available Sash Weight: 100 kg - 130 kg

Applicable Products

1-	Tilt & Turn Espagnollettes	Page 25
2-	Tilt & Turn Stay Arm	Page 26
3-	Middle Locks	Page 26
4-	Corner Drives	Page 27
5-	Bottom Tilt Lock	Page 31
6-	Tilt Locking Plate	Page 35
7-	Stay Arm Hinge	Page 32
8-	Stay Arm Bearing & Pin	Page 32
9-	Bottom Corner Hinge	Page 33
10-	Bottom Corner Bearing	Page 33
11-	Hinge Cover Set	Page 34
12-	Faulty Usage Blocker & Striker	Page 37
13-	Locking Strikers	Page 42



System Information

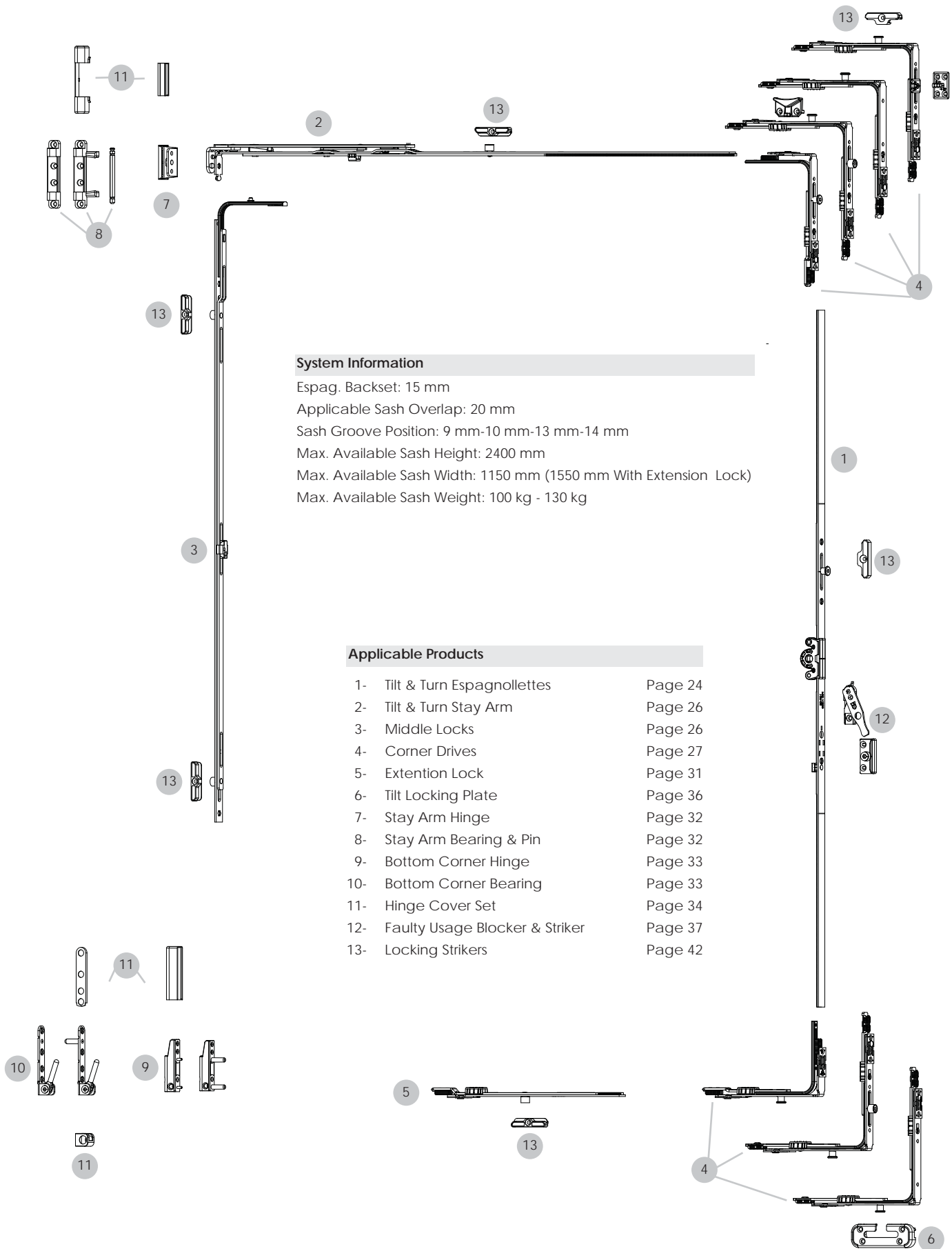
Espag. Backset: 7,5 mm
 Applicable Sash Overlap: 20 mm
 Sash Groove Position: 9 mm-10 mm-13 mm-14 mm
 Max. Available Sash Height: 2400 mm
 Max. Available Sash Width: 1150 mm (1550 mm With Extension Lock)
 Max. Available Sash Weight: 100 kg - 130 kg

Applicable Products

1- Tilt & Turn Espagnollettes	Page 24
2- Tilt & Turn Stay Arm	Page 26
3- Middle Locks	Page 26
4- Corner Drives	Page 27
5- Extension Lock	Page 31
6- Tilt Locking Plate	Page 36
7- Stay Arm Hinge	Page 32
8- Stay Arm Bearing & Pin	Page 32
9- Bottom Corner Hinge	Page 33
10- Bottom Corner Bearing	Page 33
11- Hinge Cover Set	Page 34
12- Faulty Usage Blocker & Striker	Page 37
13- Locking Strikers	Page 42

Tilt And Turn Systems

● 15 mm Backset Medium Security Level

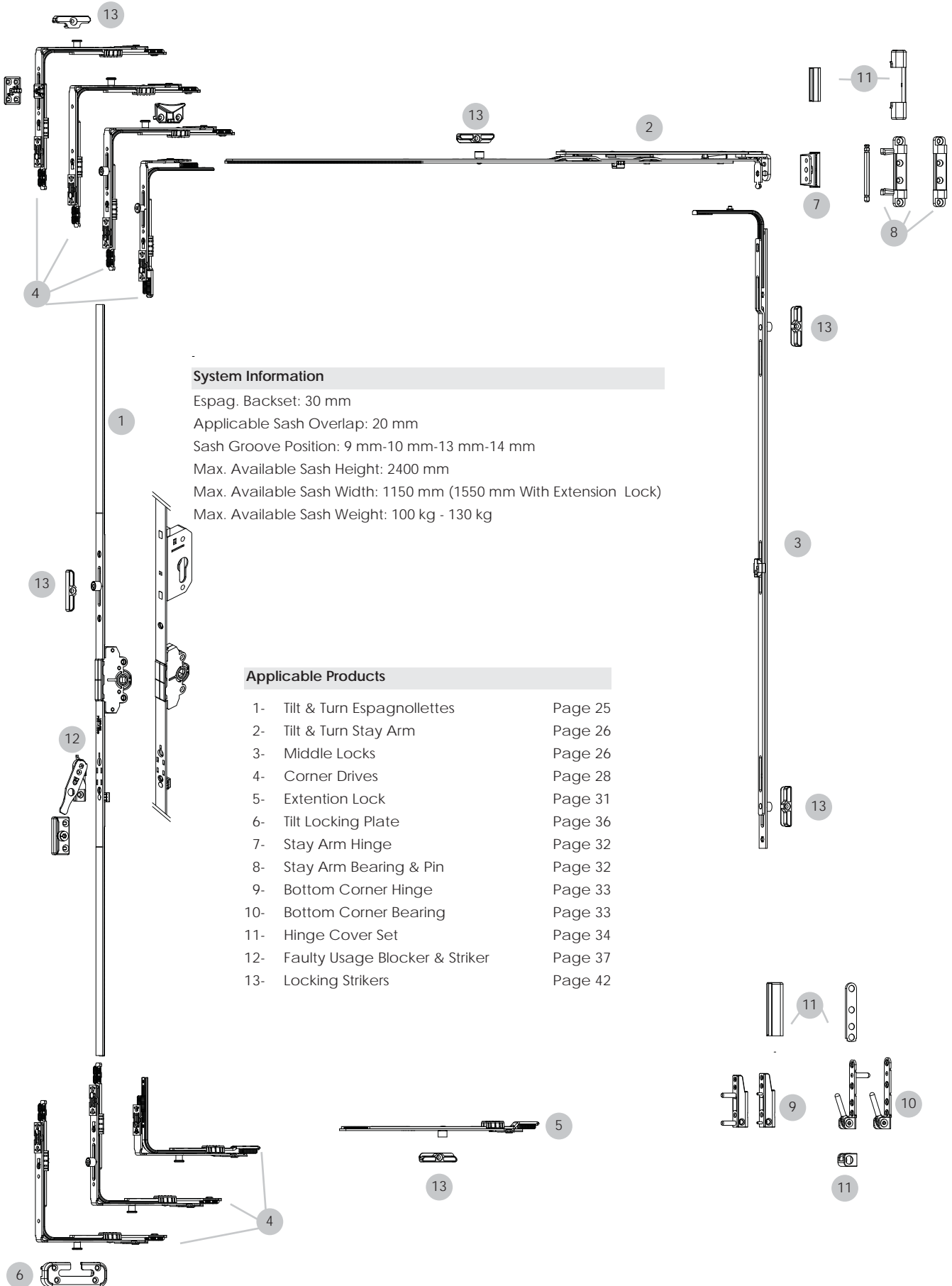


System Information

Espag. Backset: 15 mm
 Applicable Sash Overlap: 20 mm
 Sash Groove Position: 9 mm-10 mm-13 mm-14 mm
 Max. Available Sash Height: 2400 mm
 Max. Available Sash Width: 1150 mm (1550 mm With Extension Lock)
 Max. Available Sash Weight: 100 kg - 130 kg

Applicable Products

1- Tilt & Turn Espagnollettes	Page 24
2- Tilt & Turn Stay Arm	Page 26
3- Middle Locks	Page 26
4- Corner Drives	Page 27
5- Extension Lock	Page 31
6- Tilt Locking Plate	Page 36
7- Stay Arm Hinge	Page 32
8- Stay Arm Bearing & Pin	Page 32
9- Bottom Corner Hinge	Page 33
10- Bottom Corner Bearing	Page 33
11- Hinge Cover Set	Page 34
12- Faulty Usage Blocker & Striker	Page 37
13- Locking Strikers	Page 42



System Information

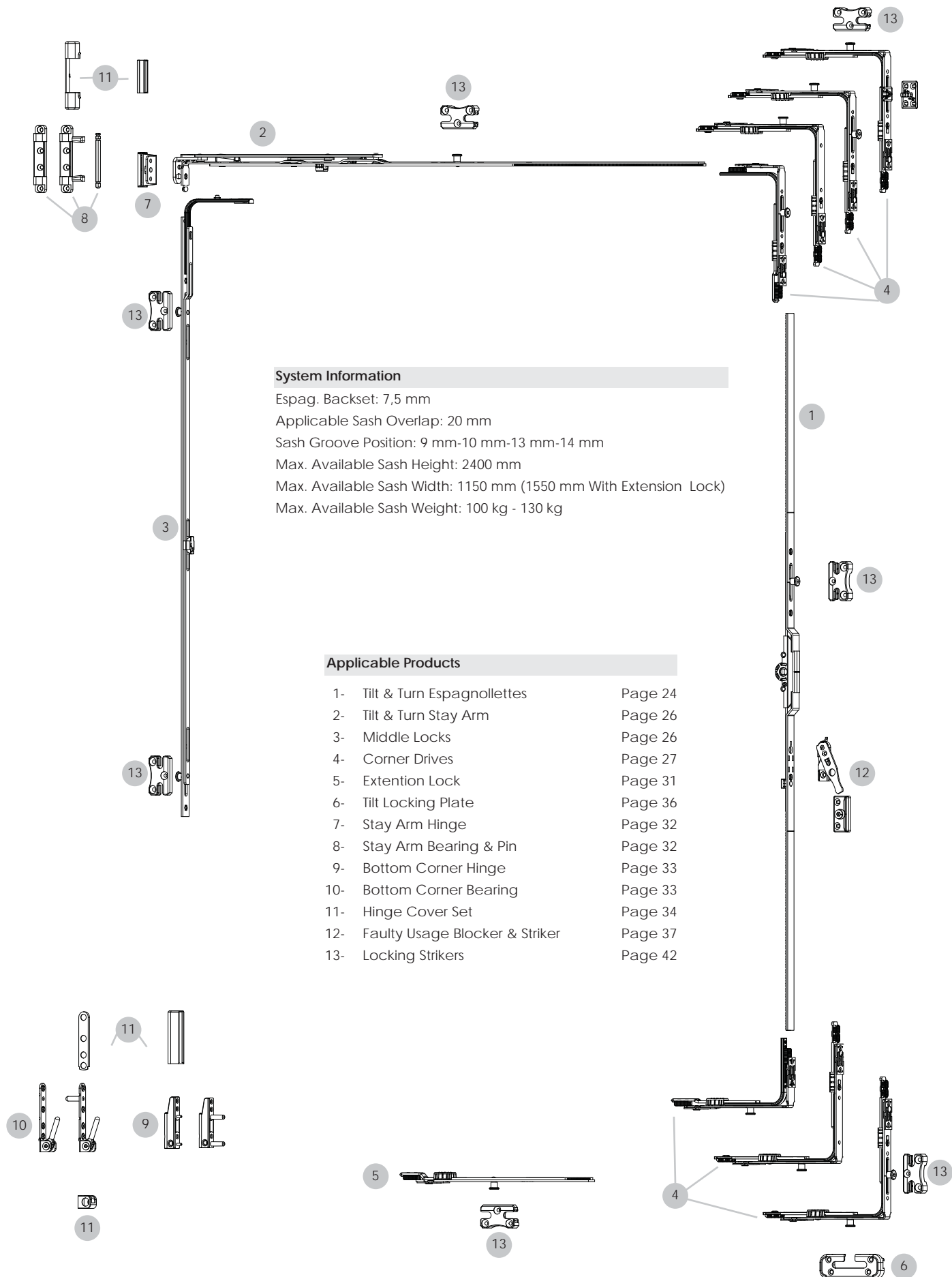
Espag. Backset: 30 mm
 Applicable Sash Overlap: 20 mm
 Sash Groove Position: 9 mm-10 mm-13 mm-14 mm
 Max. Available Sash Height: 2400 mm
 Max. Available Sash Width: 1150 mm (1550 mm With Extension Lock)
 Max. Available Sash Weight: 100 kg - 130 kg

Applicable Products

1-	Tilt & Turn Espagnollettes	Page 25
2-	Tilt & Turn Stay Arm	Page 26
3-	Middle Locks	Page 26
4-	Corner Drives	Page 28
5-	Extention Lock	Page 31
6-	Tilt Locking Plate	Page 36
7-	Stay Arm Hinge	Page 32
8-	Stay Arm Bearing & Pin	Page 32
9-	Bottom Corner Hinge	Page 33
10-	Bottom Corner Bearing	Page 33
11-	Hinge Cover Set	Page 34
12-	Faulty Usage Blocker & Striker	Page 37
13-	Locking Strikers	Page 42

Tilt And Turn Systems

● 7,5 mm Backset High Security Level

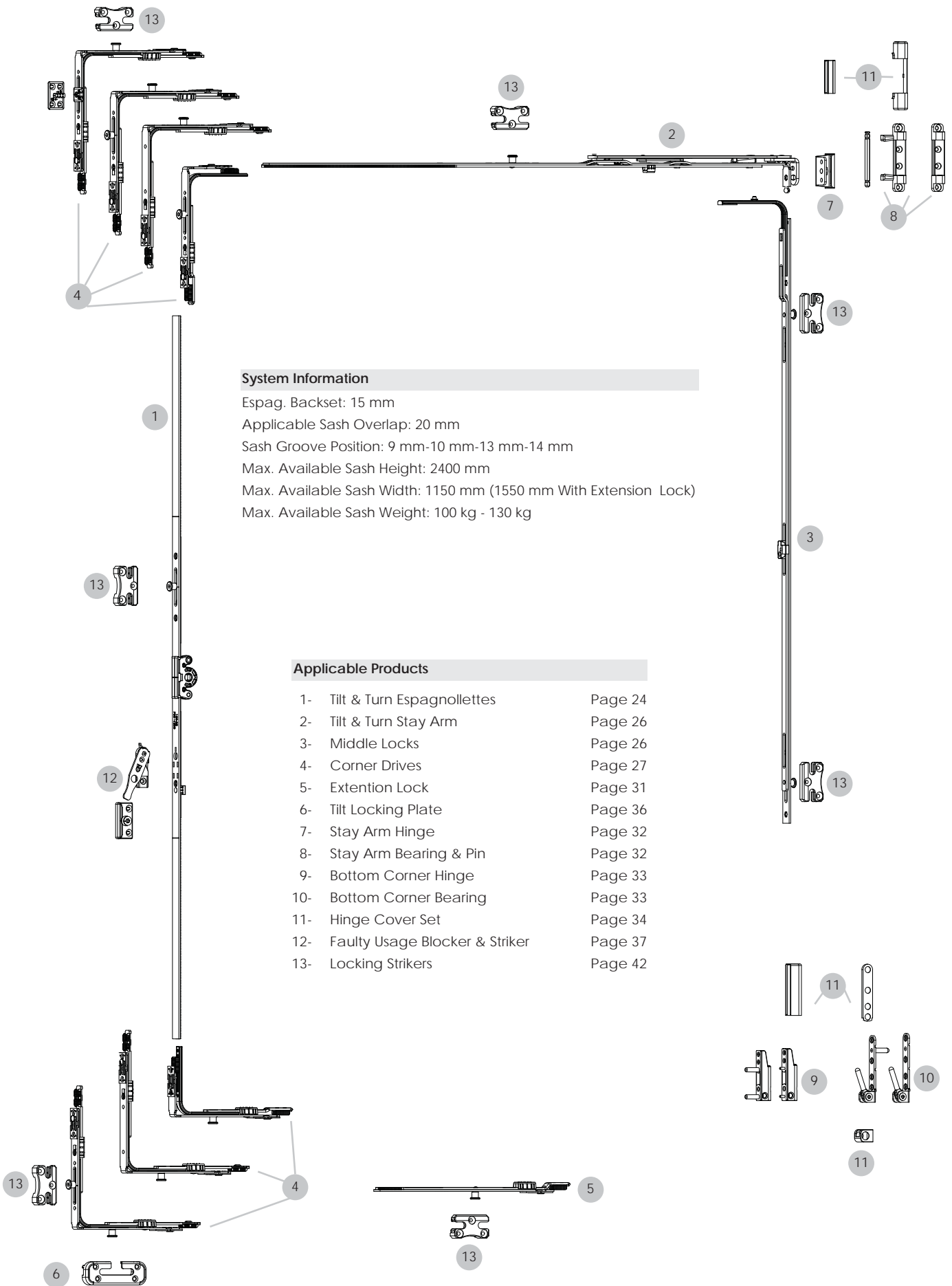


System Information

Espag. Backset: 7,5 mm
 Applicable Sash Overlap: 20 mm
 Sash Groove Position: 9 mm-10 mm-13 mm-14 mm
 Max. Available Sash Height: 2400 mm
 Max. Available Sash Width: 1150 mm (1550 mm With Extension Lock)
 Max. Available Sash Weight: 100 kg - 130 kg

Applicable Products

1- Tilt & Turn Espagnolettes	Page 24
2- Tilt & Turn Stay Arm	Page 26
3- Middle Locks	Page 26
4- Corner Drives	Page 27
5- Extension Lock	Page 31
6- Tilt Locking Plate	Page 36
7- Stay Arm Hinge	Page 32
8- Stay Arm Bearing & Pin	Page 32
9- Bottom Corner Hinge	Page 33
10- Bottom Corner Bearing	Page 33
11- Hinge Cover Set	Page 34
12- Faulty Usage Blocker & Striker	Page 37
13- Locking Strikers	Page 42



System Information

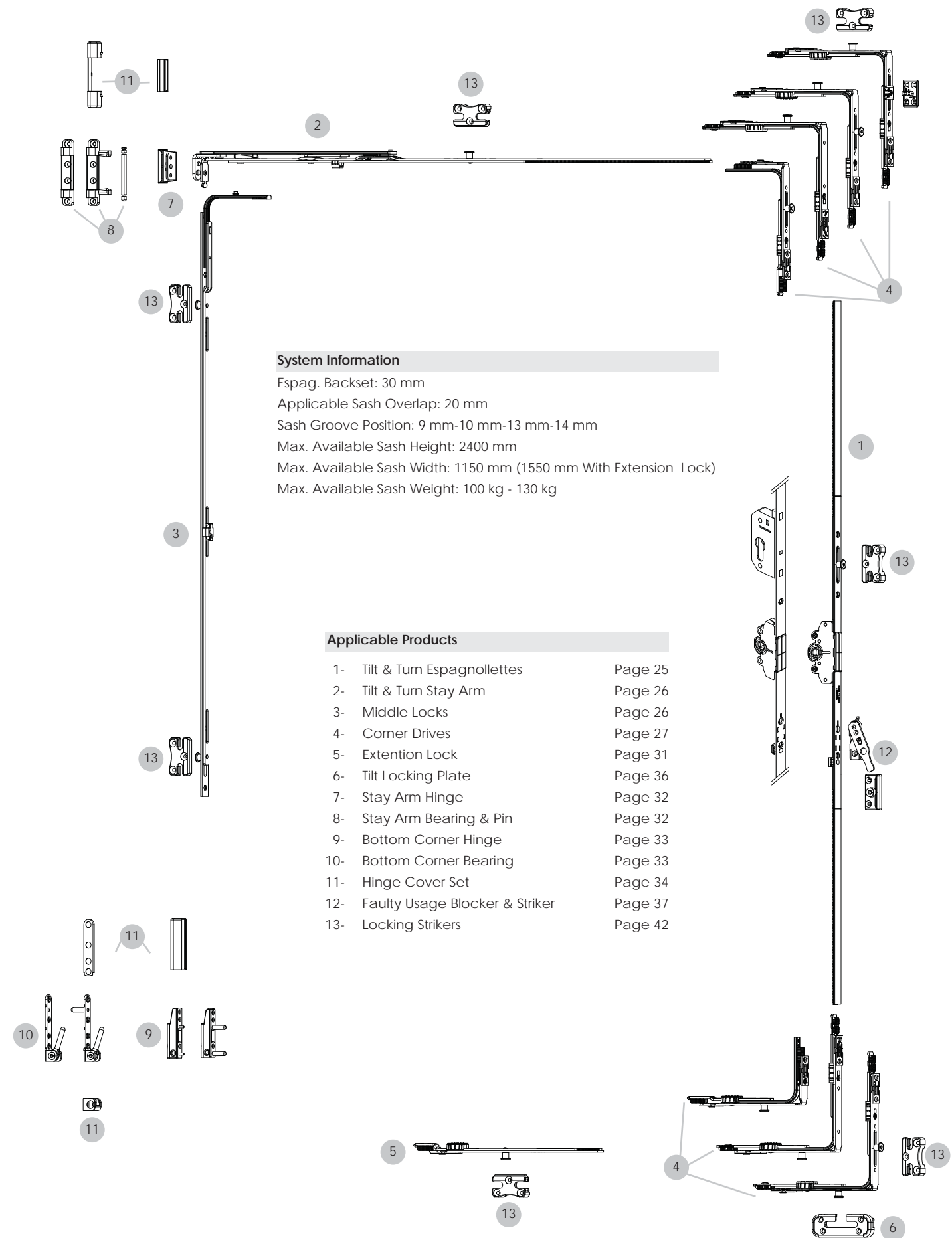
Espag. Backset: 15 mm
 Applicable Sash Overlap: 20 mm
 Sash Groove Position: 9 mm-10 mm-13 mm-14 mm
 Max. Available Sash Height: 2400 mm
 Max. Available Sash Width: 1150 mm (1550 mm With Extension Lock)
 Max. Available Sash Weight: 100 kg - 130 kg

Applicable Products

1- Tilt & Turn Espagnollettes	Page 24
2- Tilt & Turn Stay Arm	Page 26
3- Middle Locks	Page 26
4- Corner Drives	Page 27
5- Extension Lock	Page 31
6- Tilt Locking Plate	Page 36
7- Stay Arm Hinge	Page 32
8- Stay Arm Bearing & Pin	Page 32
9- Bottom Corner Hinge	Page 33
10- Bottom Corner Bearing	Page 33
11- Hinge Cover Set	Page 34
12- Faulty Usage Blocker & Striker	Page 37
13- Locking Strikers	Page 42

Tilt And Turn Systems

● 30 mm Backset High Security Level

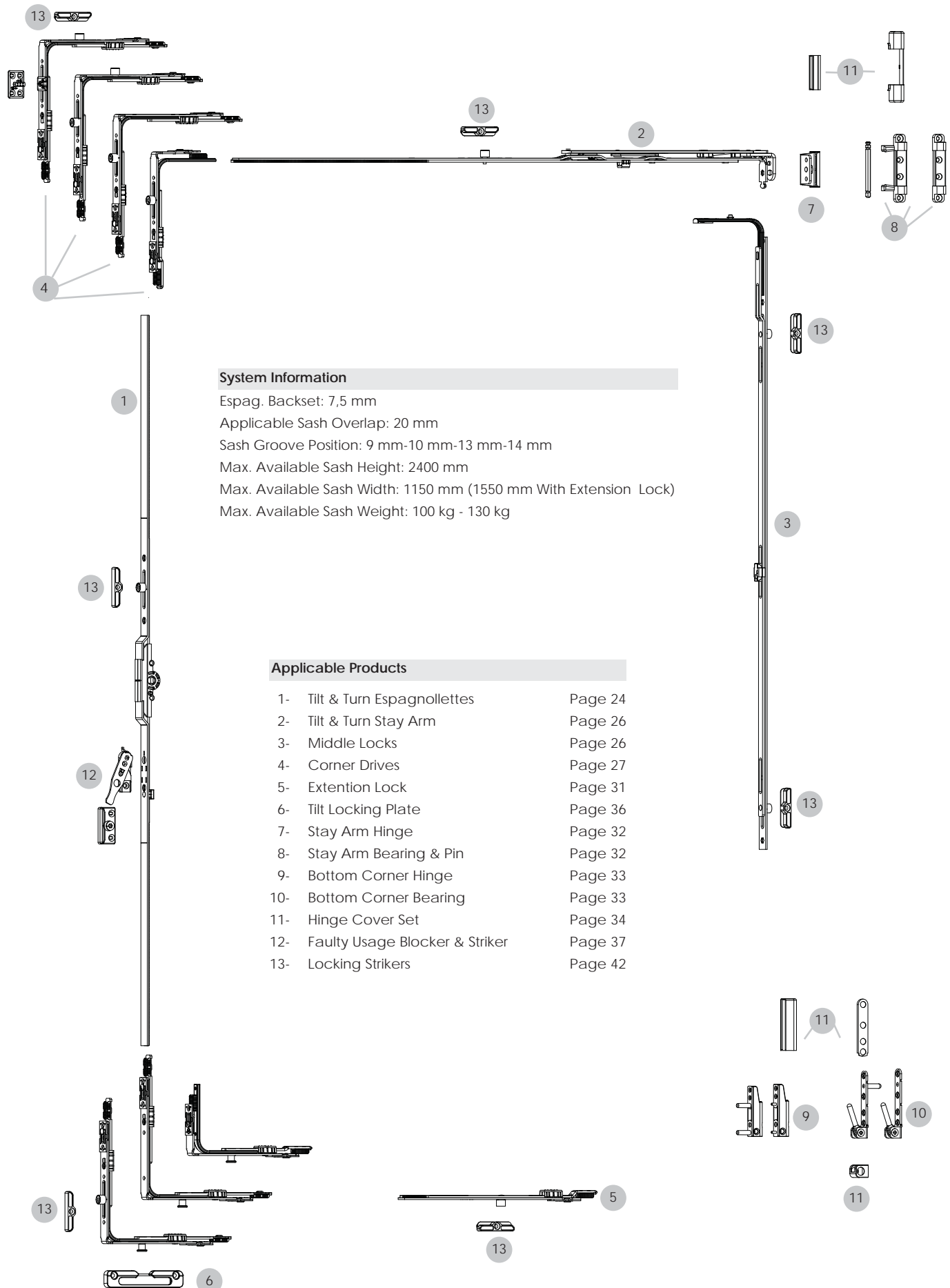


System Information

Espag. Backset: 30 mm
 Applicable Sash Overlap: 20 mm
 Sash Groove Position: 9 mm-10 mm-13 mm-14 mm
 Max. Available Sash Height: 2400 mm
 Max. Available Sash Width: 1150 mm (1550 mm With Extension Lock)
 Max. Available Sash Weight: 100 kg - 130 kg

Applicable Products

1-	Tilt & Turn Espagnolettes	Page 25
2-	Tilt & Turn Stay Arm	Page 26
3-	Middle Locks	Page 26
4-	Corner Drives	Page 27
5-	Extension Lock	Page 31
6-	Tilt Locking Plate	Page 36
7-	Stay Arm Hinge	Page 32
8-	Stay Arm Bearing & Pin	Page 32
9-	Bottom Corner Hinge	Page 33
10-	Bottom Corner Bearing	Page 33
11-	Hinge Cover Set	Page 34
12-	Faulty Usage Blocker & Striker	Page 37
13-	Locking Strikers	Page 42



System Information

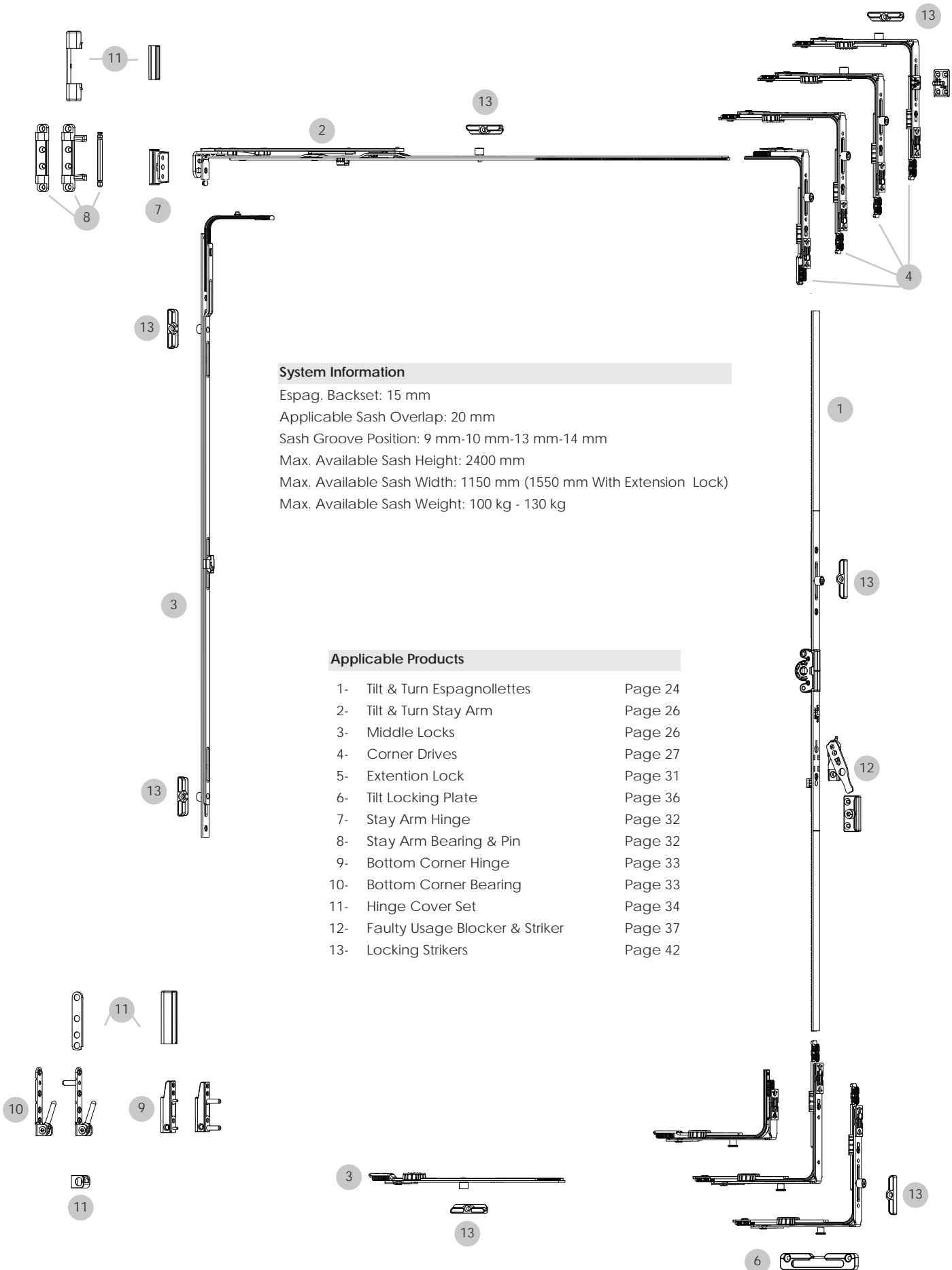
Espag. Backset: 7,5 mm
 Applicable Sash Overlap: 20 mm
 Sash Groove Position: 9 mm-10 mm-13 mm-14 mm
 Max. Available Sash Height: 2400 mm
 Max. Available Sash Width: 1150 mm (1550 mm With Extension Lock)
 Max. Available Sash Weight: 100 kg - 130 kg

Applicable Products

1- Tilt & Turn Espagnollettes	Page 24
2- Tilt & Turn Stay Arm	Page 26
3- Middle Locks	Page 26
4- Corner Drives	Page 27
5- Extention Lock	Page 31
6- Tilt Locking Plate	Page 36
7- Stay Arm Hinge	Page 32
8- Stay Arm Bearing & Pin	Page 32
9- Bottom Corner Hinge	Page 33
10- Bottom Corner Bearing	Page 33
11- Hinge Cover Set	Page 34
12- Faulty Usage Blocker & Striker	Page 37
13- Locking Strikers	Page 42

Tilt And Turn Systems

● 15 mm Backset Tilt First System

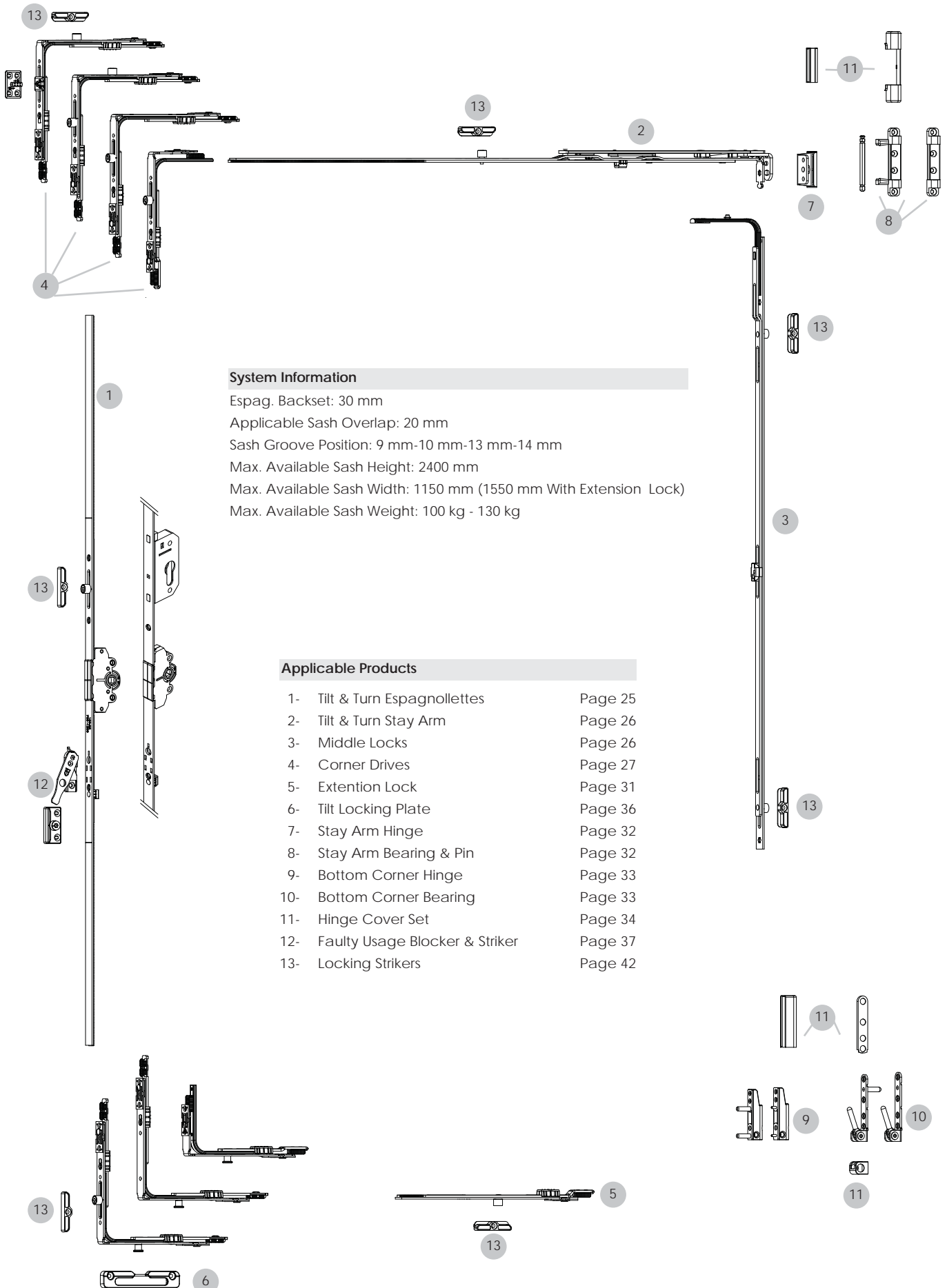


System Information

Espag. Backset: 15 mm
 Applicable Sash Overlap: 20 mm
 Sash Groove Position: 9 mm-10 mm-13 mm-14 mm
 Max. Available Sash Height: 2400 mm
 Max. Available Sash Width: 1150 mm (1550 mm With Extension Lock)
 Max. Available Sash Weight: 100 kg - 130 kg

Applicable Products

1- Tilt & Turn Espagnollettes	Page 24
2- Tilt & Turn Stay Arm	Page 26
3- Middle Locks	Page 26
4- Corner Drives	Page 27
5- Extension Lock	Page 31
6- Tilt Locking Plate	Page 36
7- Stay Arm Hinge	Page 32
8- Stay Arm Bearing & Pin	Page 32
9- Bottom Corner Hinge	Page 33
10- Bottom Corner Bearing	Page 33
11- Hinge Cover Set	Page 34
12- Faulty Usage Blocker & Striker	Page 37
13- Locking Strikers	Page 42



System Information

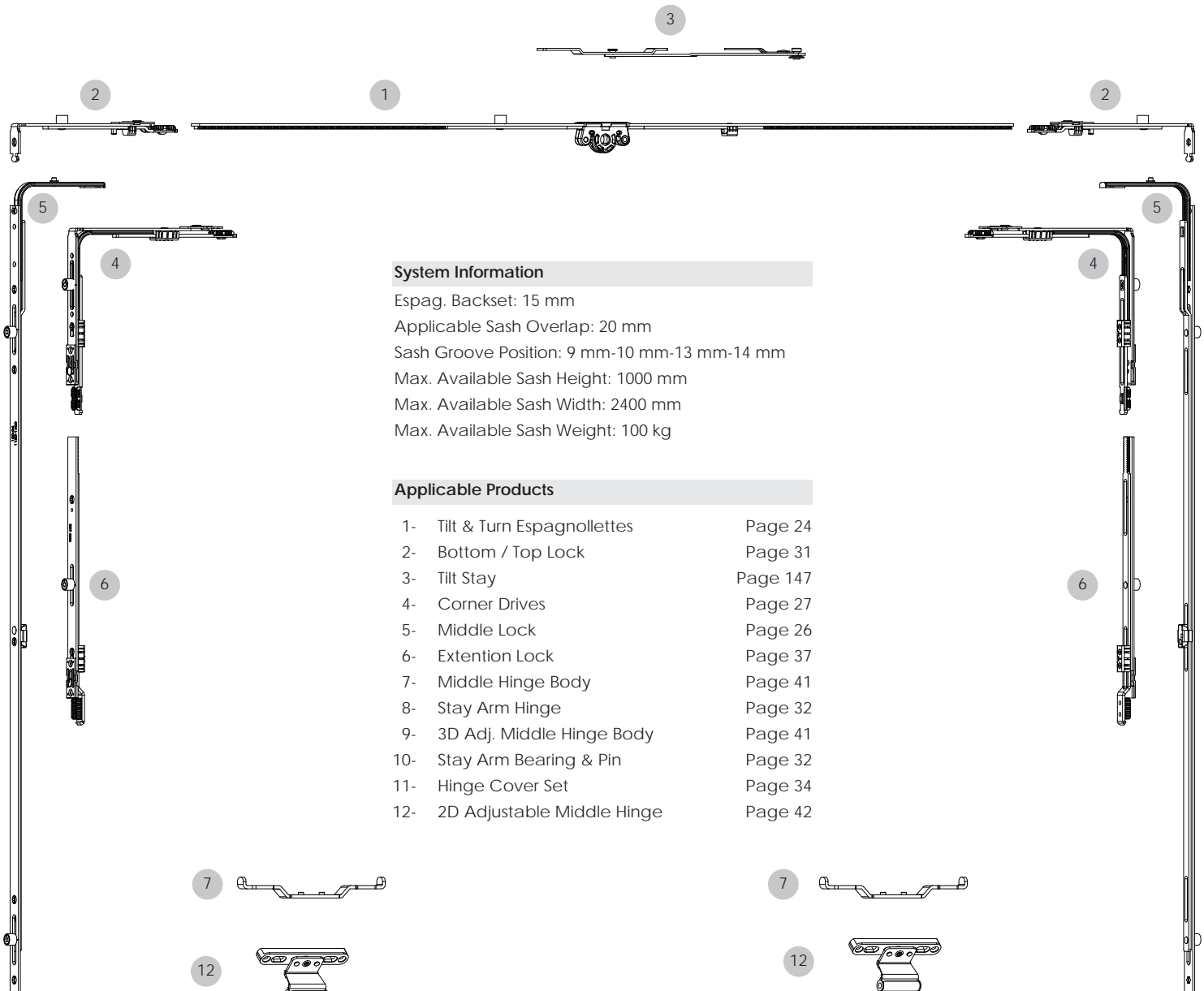
Espag. Backset: 30 mm
 Applicable Sash Overlap: 20 mm
 Sash Groove Position: 9 mm-10 mm-13 mm-14 mm
 Max. Available Sash Height: 2400 mm
 Max. Available Sash Width: 1150 mm (1550 mm With Extension Lock)
 Max. Available Sash Weight: 100 kg - 130 kg

Applicable Products

1- Tilt & Turn Espagnollettes	Page 25
2- Tilt & Turn Stay Arm	Page 26
3- Middle Locks	Page 26
4- Corner Drives	Page 27
5- Extension Lock	Page 31
6- Tilt Locking Plate	Page 36
7- Stay Arm Hinge	Page 32
8- Stay Arm Bearing & Pin	Page 32
9- Bottom Corner Hinge	Page 33
10- Bottom Corner Bearing	Page 33
11- Hinge Cover Set	Page 34
12- Faulty Usage Blocker & Striker	Page 37
13- Locking Strikers	Page 42

Tilt And Turn Systems

● 15 mm Backset Tilt Only System



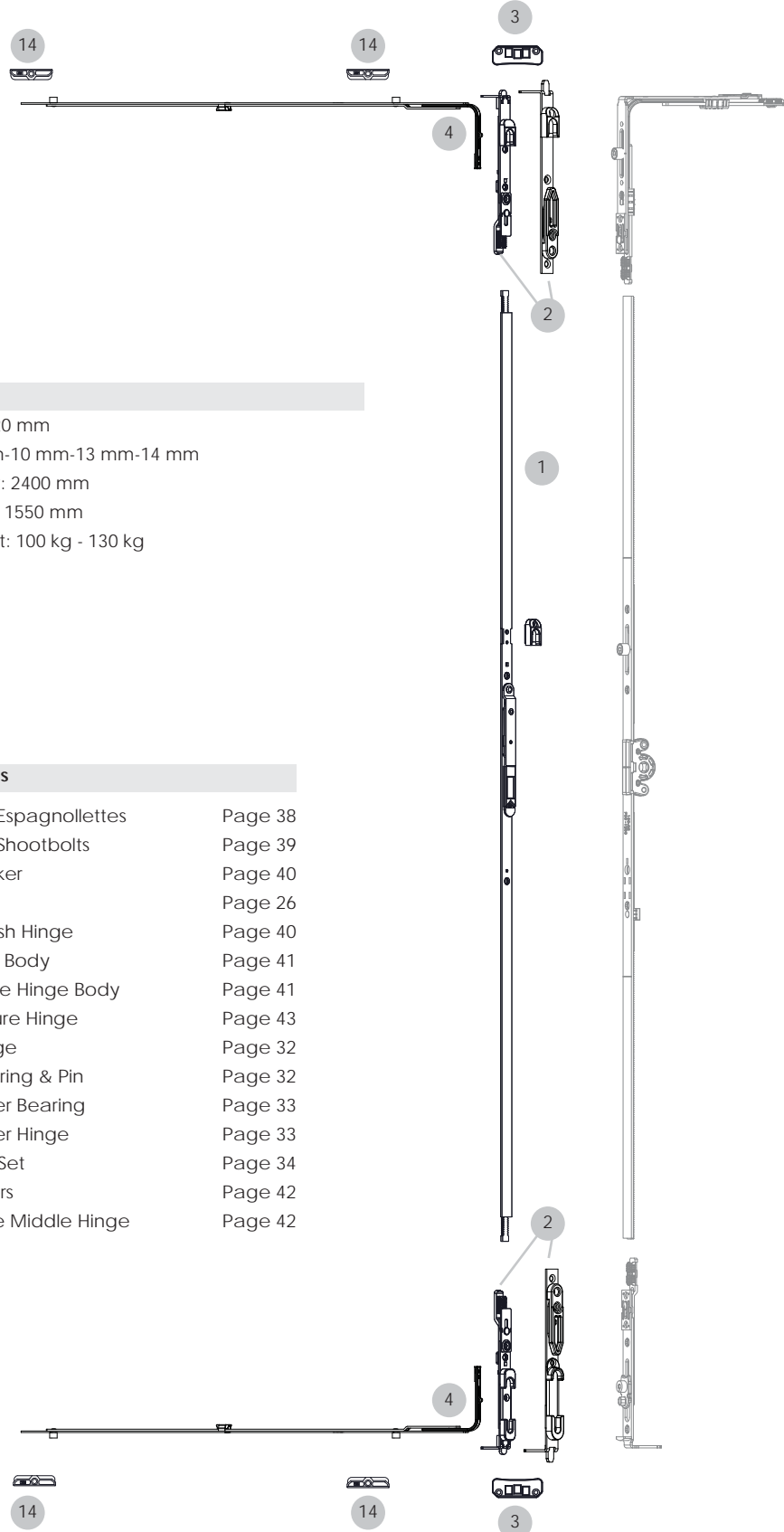
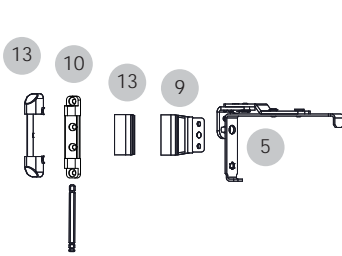
System Information

Espag. Backset: 15 mm
 Applicable Sash Overlap: 20 mm
 Sash Groove Position: 9 mm-10 mm-13 mm-14 mm
 Max. Available Sash Height: 1000 mm
 Max. Available Sash Width: 2400 mm
 Max. Available Sash Weight: 100 kg

Applicable Products

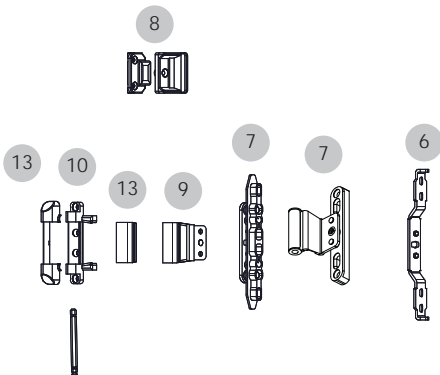
1-	Tilt & Turn Espagnolettes	Page 24
2-	Bottom / Top Lock	Page 31
3-	Tilt Stay	Page 147
4-	Corner Drives	Page 27
5-	Middle Lock	Page 26
6-	Extension Lock	Page 37
7-	Middle Hinge Body	Page 41
8-	Stay Arm Hinge	Page 32
9-	3D Adj. Middle Hinge Body	Page 41
10-	Stay Arm Bearing & Pin	Page 32
11-	Hinge Cover Set	Page 34
12-	2D Adjustable Middle Hinge	Page 42





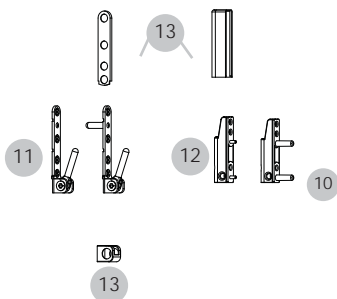
System Information

- Applicable Sash Overlap: 20 mm
- Sash Groove Position: 9 mm-10 mm-13 mm-14 mm
- Max. Available Sash Height: 2400 mm
- Max. Available Sash Width: 1550 mm
- Max. Available Sash Weight: 100 kg - 130 kg



Applicable Products

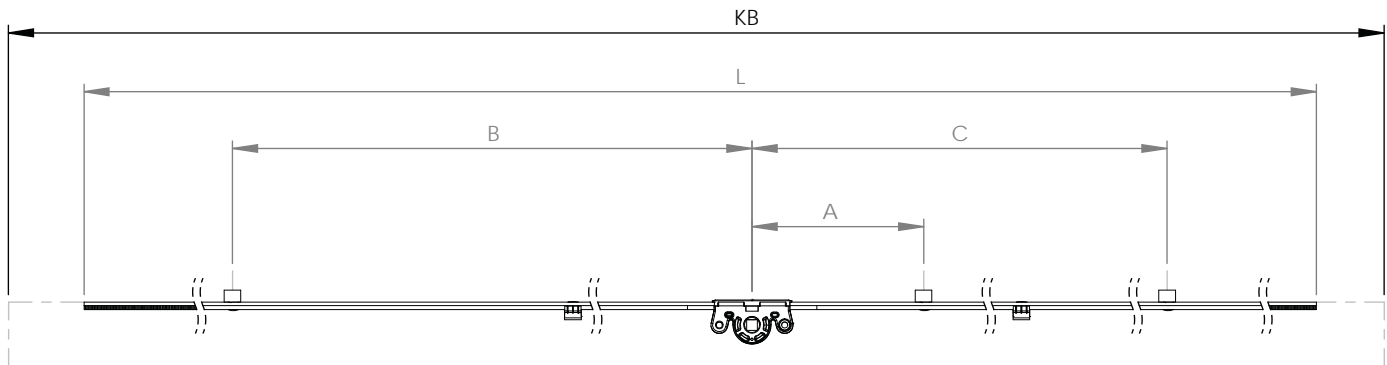
1-	Double Sash Espagnolettes	Page 38
2-	Double Sash Shootbolts	Page 39
3-	Shootbolt Striker	Page 40
4-	Middle Lock	Page 26
5-	Side Hung Sash Hinge	Page 40
6-	Middle Hinge Body	Page 41
7-	3D Adj. Middle Hinge Body	Page 41
8-	Gasket Pressure Hinge	Page 43
9-	Stay Arm Hinge	Page 32
10-	Stay Arm Bearing & Pin	Page 32
11-	Bottom Corner Bearing	Page 33
12-	Bottom Corner Hinge	Page 33
13-	Hinge Cover Set	Page 34
14-	Locking Strikers	Page 42
15-	2D Adjustable Middle Hinge	Page 42

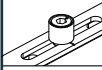
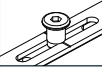

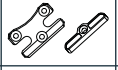
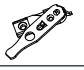



Tilt And Turn Systems

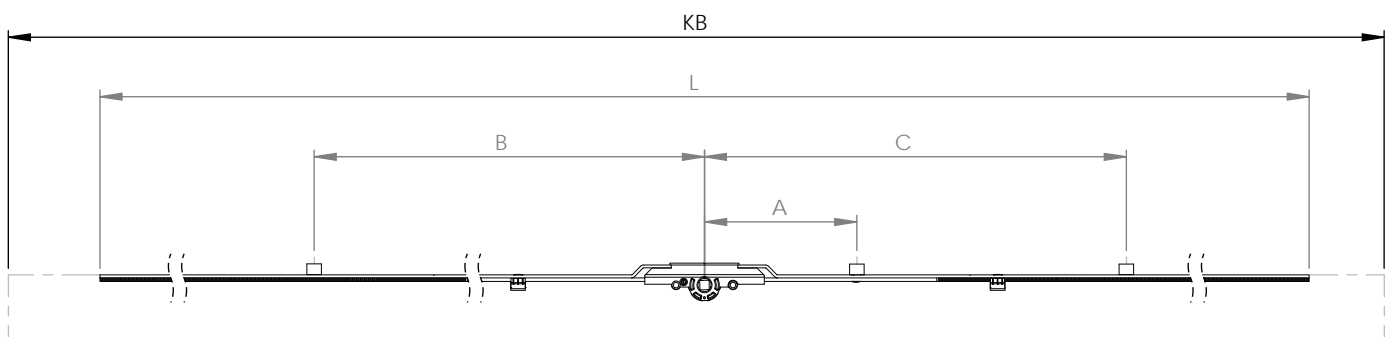
● Espagnolettes

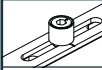
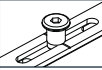

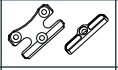


● 15 mm Backset Espagnolette



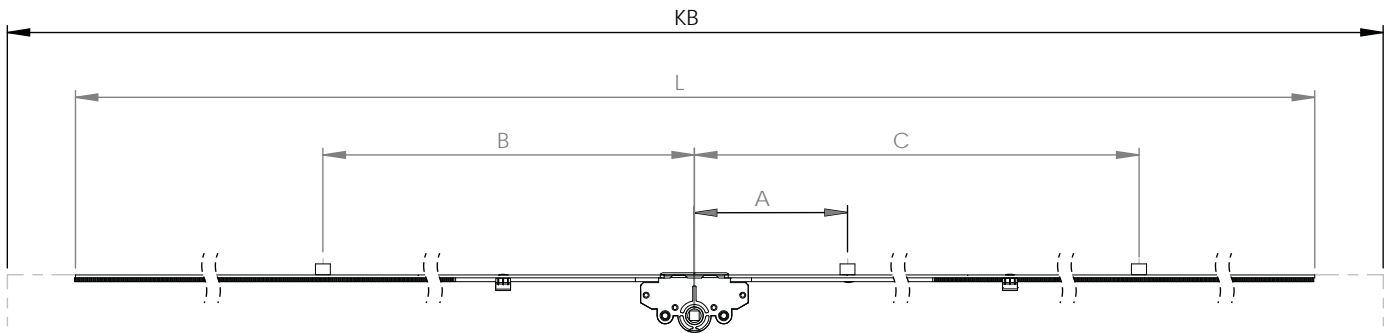
		KB	L	A	B	C				Qty. 	Kg
ISP-100-01	ISP-100-07	500-700	400	-	-	-	2	-	-	20	4,50
ISP-100-02	ISP-100-08	700-1200	900	112	-	-	3	1	✓	20	8,85
ISP-100-03	ISP-100-09	900-1400	1100	112	-	-	5	1	✓	20	10,60
ISP-100-04	ISP-100-10	1200-1700	1400	258	258	-	8	2	✓	20	13,32
ISP-100-05	ISP-100-11	1700-2200	1900	350	350	-	8	2	✓	20	18,35
ISP-100-06	ISP-100-12	1900-2400	2100	112	501	501	9	3	✓	20	20,18

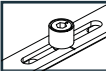
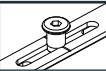

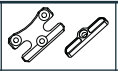


● 7,5 mm Backset Espagnolette



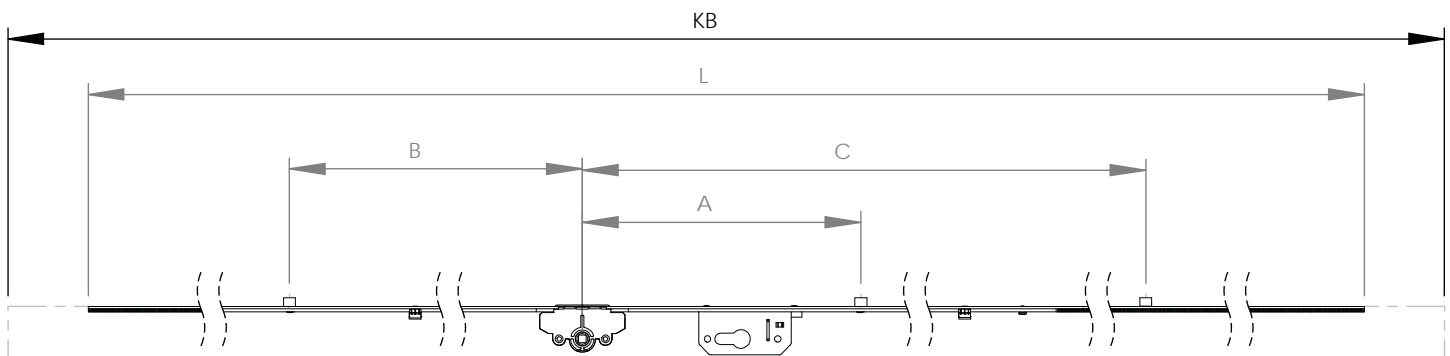
		KB	L	A	B	C				Qty. 	Kg
ISP 100-25	ISP 100-31	500-700	400	-	-	-	2	-	-	20	-
ISP 100-26	ISP 100-32	700-1200	900	112	-	-	3	1	✓	20	-
ISP 100-27	ISP 100-33	900-1400	1100	112	-	-	5	1	✓	20	-
ISP 100-28	ISP 100-34	1200-1700	1400	258	258	-	8	2	✓	20	-
ISP 100-29	ISP 100-35	1700-2200	1900	350	350	-	8	2	✓	20	-
ISP 100-30	ISP 100-36	1900-2400	2100	112	501	501	9	3	✓	20	-

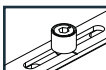
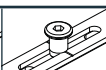

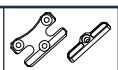


30 mm Backset Espagnolette ●



		KB	L	A	B	C				Qty. 	Kg
ISP 100-13	ISP 100-19	500-700	400	-	-	-	2	-	-	20	-
ISP 100-14	ISP 100-20	700-1200	900	112	-	-	3	1	✓	20	-
ISP 100-15	ISP 100-21	900-1400	1100	112	-	-	5	1	✓	20	-
ISP 100-16	ISP 100-22	1200-1700	1400	258	258	-	8	2	✓	20	14,55
ISP 100-17	ISP 100-23	1700-2200	1900	350	350	-	8	2	✓	20	20,20
ISP 100-18	ISP 100-24	1900-2400	2100	112	501	501	9	3	✓	20	22,00

30 mm Backset Lockable Espagnolette ●

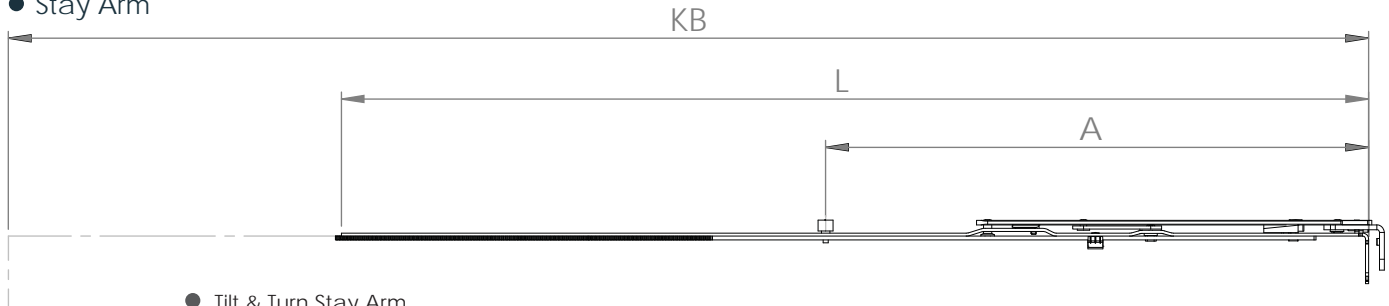


		KB	L	A	B	C				Qty. 	Kg
ISP 100-37	ISP 100-40	1200-1700	1400	258	258	-	8	2	✓	20	-
ISP 100-38	ISP 100-41	1700-2200	1900	350	350	-	8	2	✓	20	-
ISP 100-39	ISP 100-42	1900-2400	2100	112	501	501	9	3	✓	20	-

Tilt And Turn Systems

Stay Arms & Middle Locks

Stay Arm



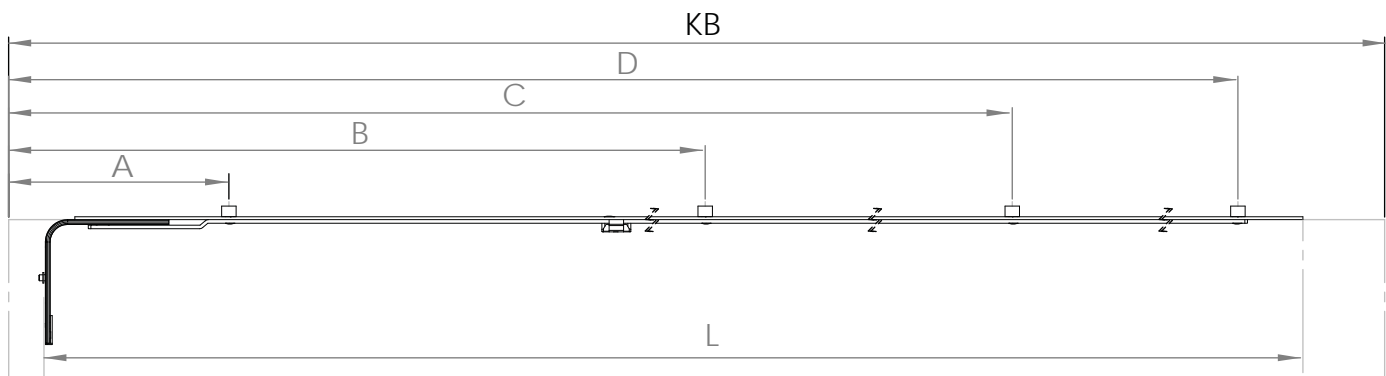
Tilt & Turn Stay Arm

		KB	L	A			Qty.		Kg
MKS-110-00	-	350-600	450	-	4	-	20		6,40
MKS-110-01	-	400-650	500	-	4	-	20		7,30
MKS-110-02	MKS-110-04	650-900	750	395	6	1	20		9,84
MKS-110-03	MKS-110-05	900-1150	1000	592	9	1	20		12,69

Tilt First Stay Arm

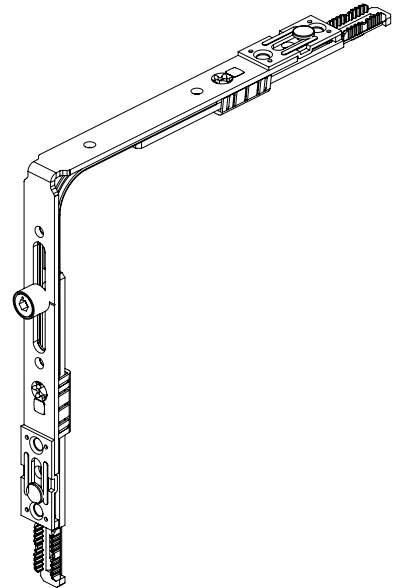
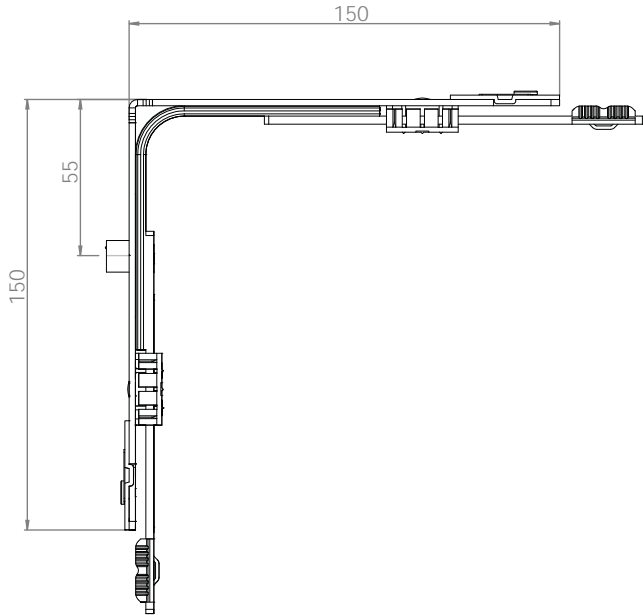
		KB	L	A			Qty.		Kg
MKSTFS 110-00	-	350-600	450	-	4	-	20		6,40
MKSTFS 110-01	-	400-650	500	-	4	-	20		7,30
MKSTFS 110-02	MKSTFS 110-04	650-900	750	395	6	1	20		9,84
MKSTFS 110-03	MKSTFS 110-05	900-1150	1000	592	9	1	20		12,69

Middle Lock



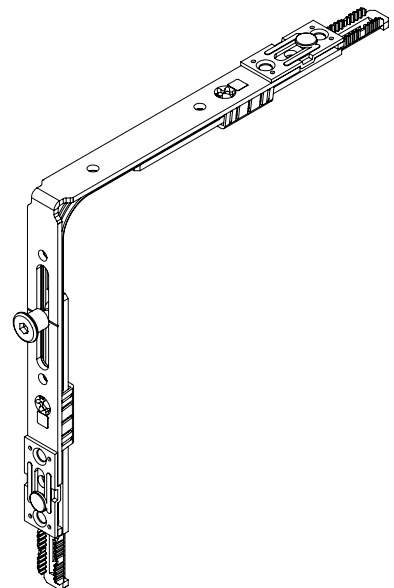
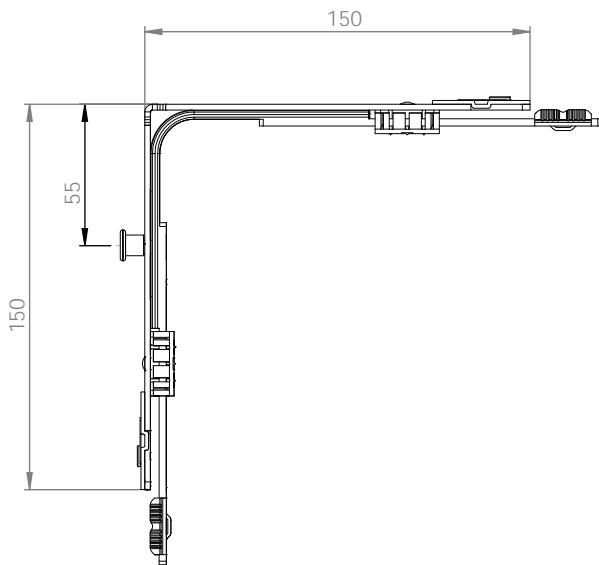
		KB	L	A	B	C	D			Qty.		Kg
AK 120-01	AK 120-06	280-600	192,5	147,5	-	-	-	1	1	20		1,83
AK 120-02	AK 120-07	600-850	337,5	295	-	-	-	1	1	20		3,27
AK 120-03	AK 120-08	850-1150	527	147,5	485	-	-	5	2	20		4,90
AK 120-15	-	850-1400	697,5	147,5	655	-	-	5	2	20		6,20
AK 120-04	AK 120-09	1150-1400	775	147,5	732,5	-	-	5	2	20		7,75
AK 120-11	AK 120-13	1300-1650	1025	147,5	485	982	-	8	3	20		9,50
AK 120-05	AK 120-10	1650-1900	1270,5	147,5	732,5	1228	-	8	3	20		11,85
AK 120-12	AK 120-14	1900-2200	1672	147,5	732,5	1228	1629	11	4	20		15,50

Corner Drive - 1 Standard Pin (1-ELP) ●



Icon	Icon	Icon	Icon	Qty.	Kg
KE 130-01	✓	4	1	100	15,75

Corner Drive - 1 Security Pin (1-GLP) ●

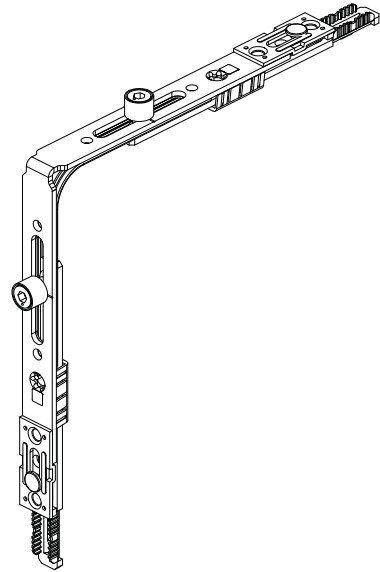
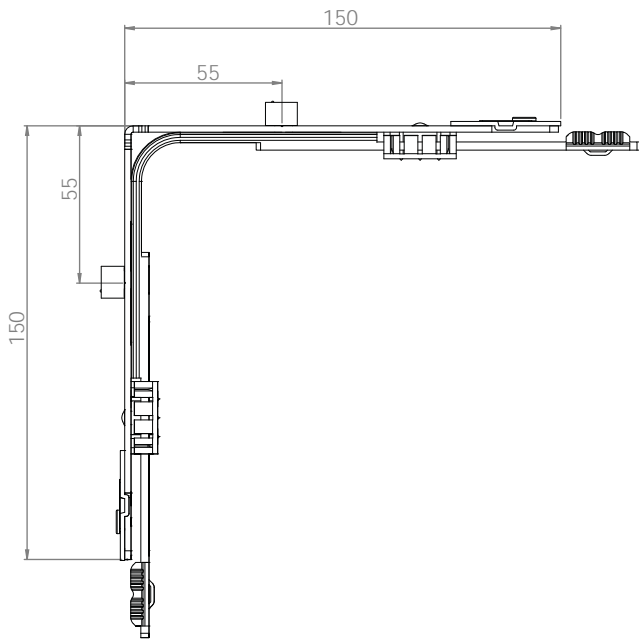


Icon	Icon	Icon	Icon	Qty.	Kg
KE 130-03	✓	4	1	100	15,75

Tilt And Turn Systems

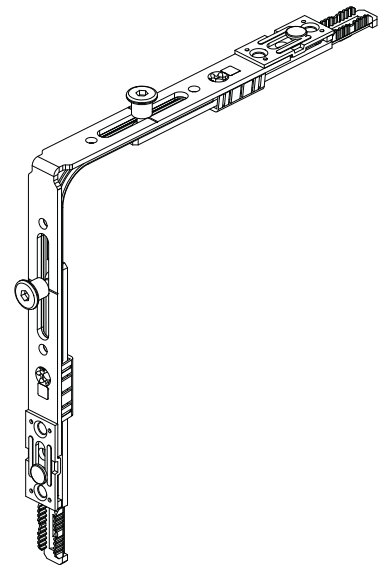
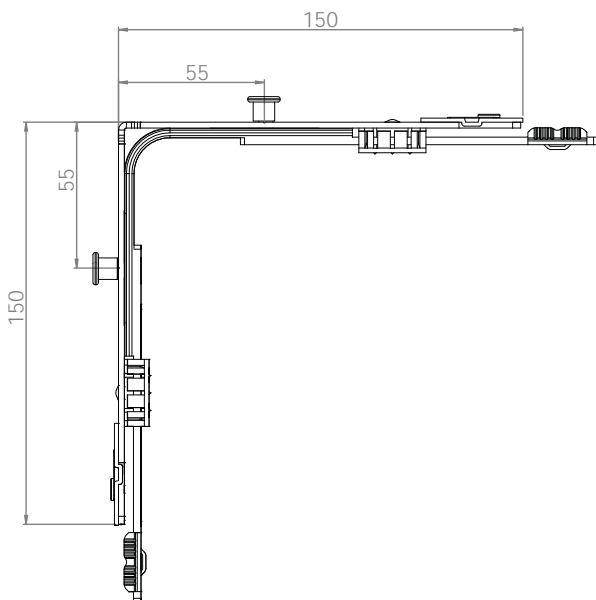
● Corner Drives

● Corner Drive - 2 Standard Pin (2-ELP)



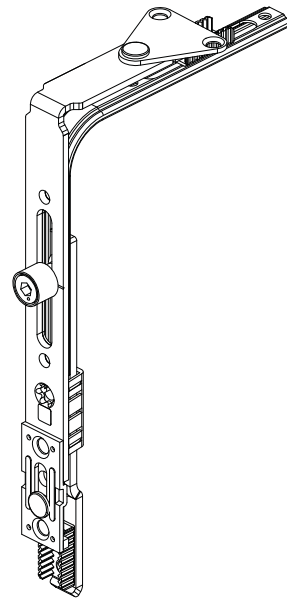
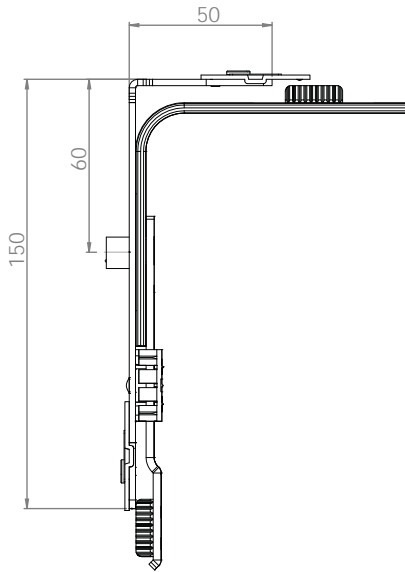
Icon	Icon	Icon	Icon	Qty.	Kg
KE 130-07	✓	4	2	100	15,75

● Corner Drive - 2 Security Pin (2-GLP)



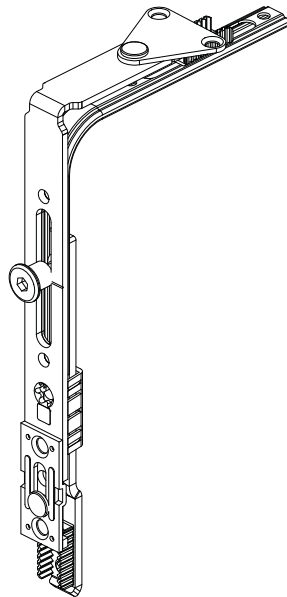
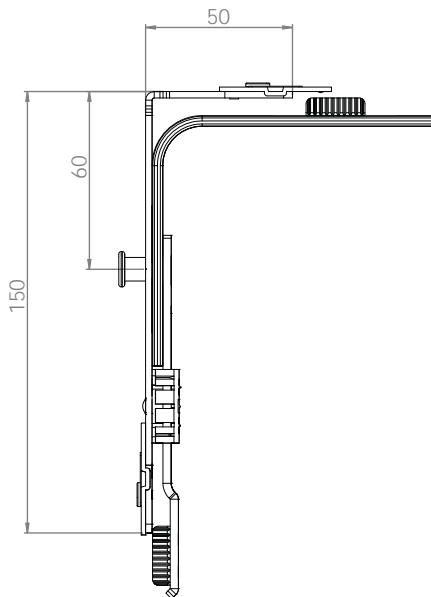
Icon	Icon	Icon	Icon	Qty.	Kg
KE 130-08	✓	4	2	100	15,75

Corner Drive Narrow - 1 Standard Pin (1-ELP) ●



Icon	Icon	Icon	Icon	Qty.	Kg
KE 130-02	✓	3	1	100	15,75

Corner Drive Narrow - 1 Security Pin (1-GLP) ●

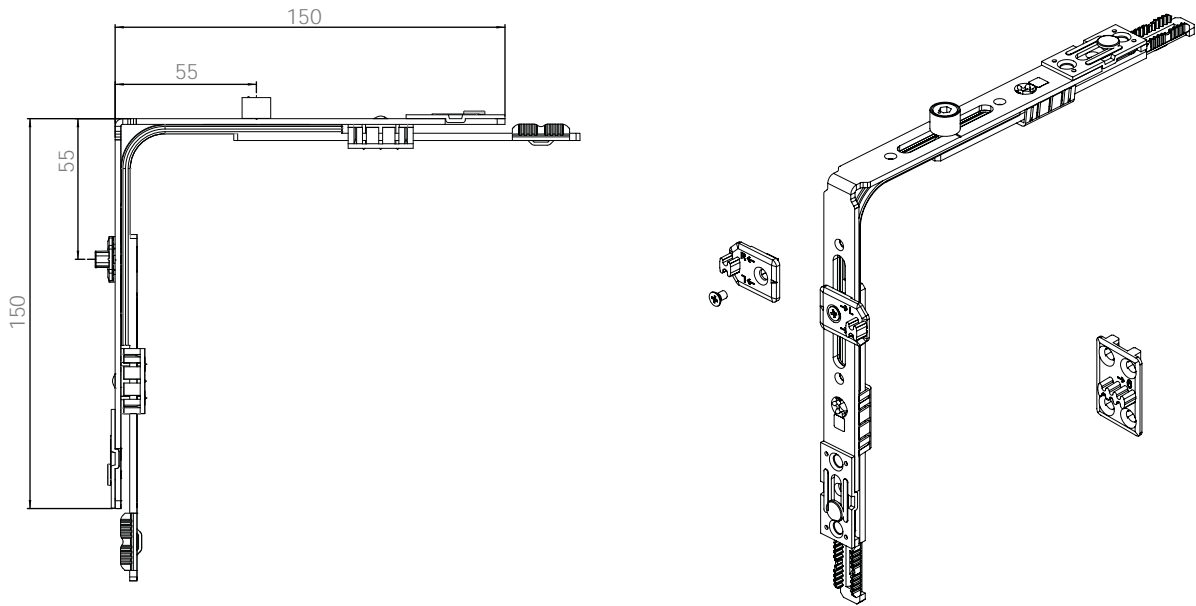


Icon	Icon	Icon	Icon	Qty.	Kg
KE 130-06	✓	3	1	100	15,75

Tilt And Turn Systems

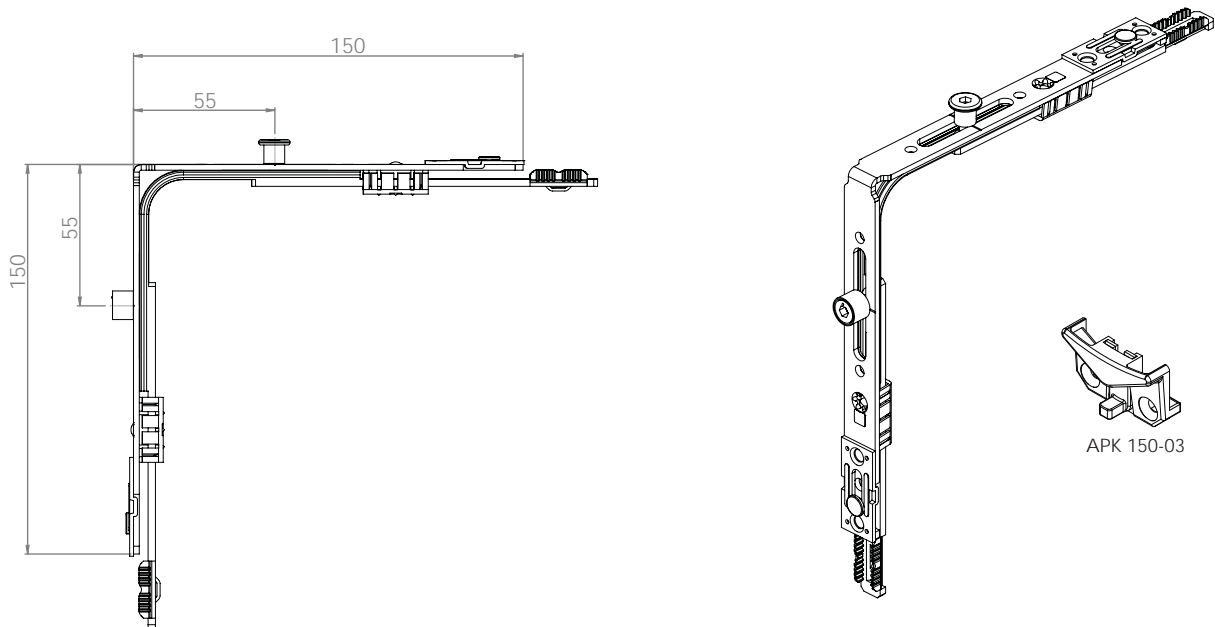
● Corner Drives

- Corner Drive Gradual Ventilation - 1 Standard Pin (1-ELP)



				Qty.	Kg
KE 130-05	✓	4	1	100	15,75

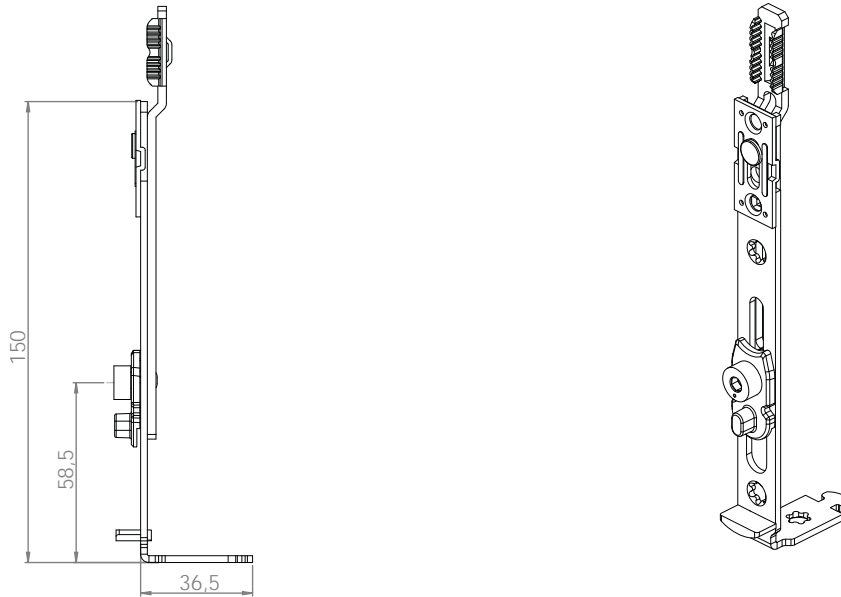
- Corner Drive - 1 Standard Pin + 1 Security Pin (1-ELP + 1-GLP)



					Qty.	Kg
KE 130-04	✓	✓	4	2	100	15,75

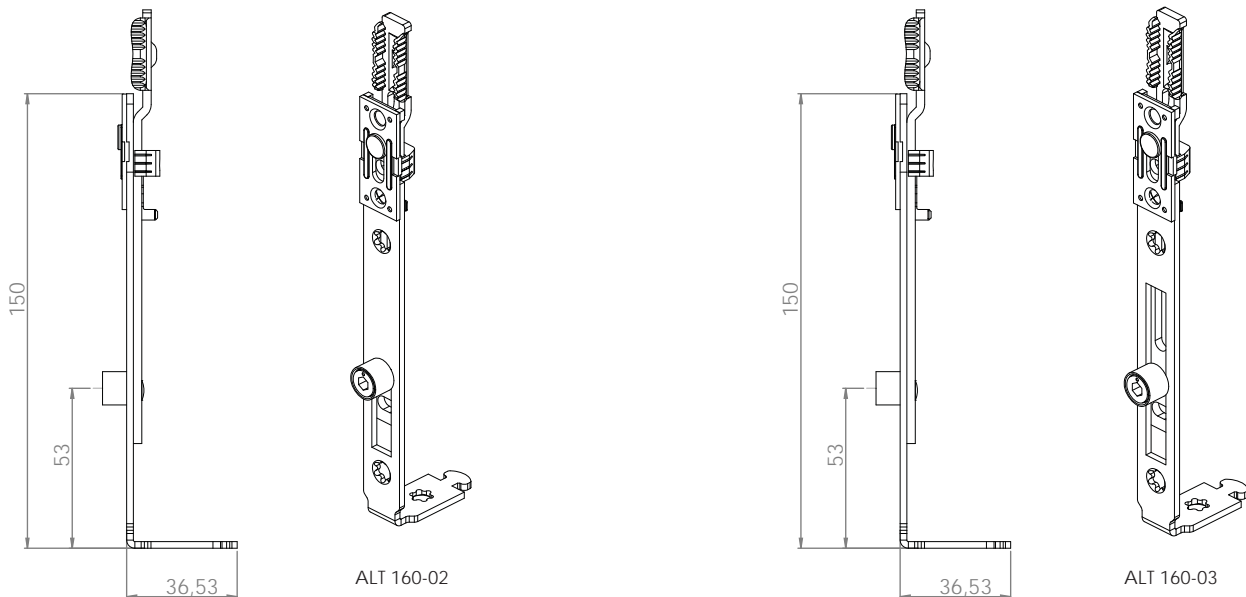
Bottom And Top Locks

Bottom Tilt Lock



					Qty.	Kg
ALT 160-01	✓	4	1	100	4,40	

Bottom And Top End Lock

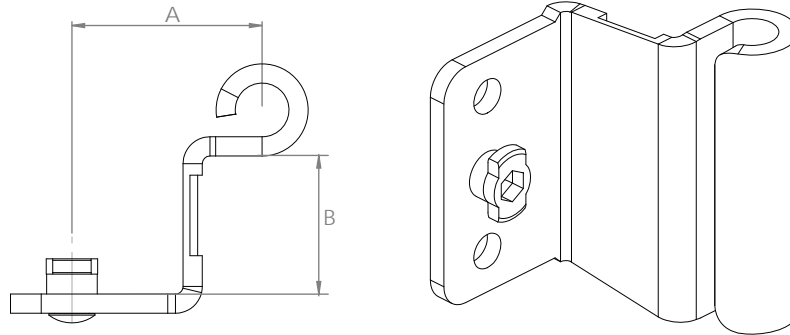




					Qty.	Kg
ALT 160-02	✓	4	1	100	4,40	
ALT 160-03	✓	4	1	100	4,40	

Tilt And Turn Systems

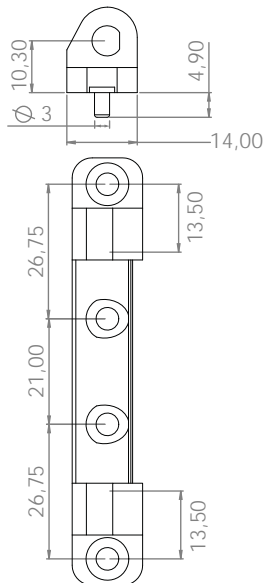
Hinges

Stay Arm Hinge

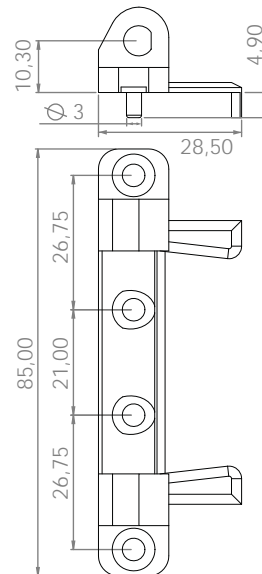


	A	B	Qty. 	Kg
MNT140-01	9	20	100	5,71
MNT140-09	10	20	100	5,60
MNT140-02	13	20	100	5,95
MNT140-10	14	20	100	6,00



Stay Arm Bearing And Pin

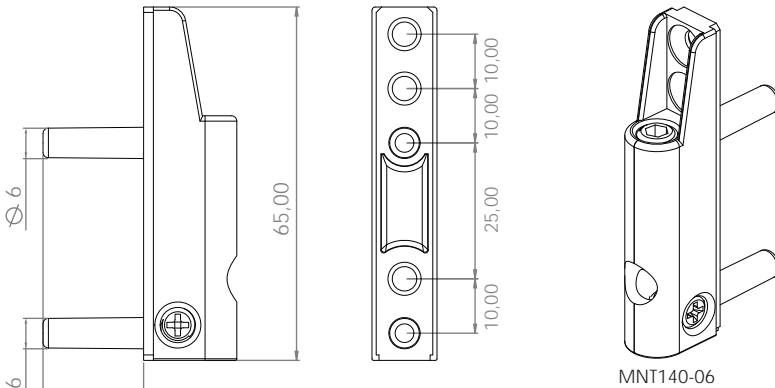


MNT140-04



MNT140-03

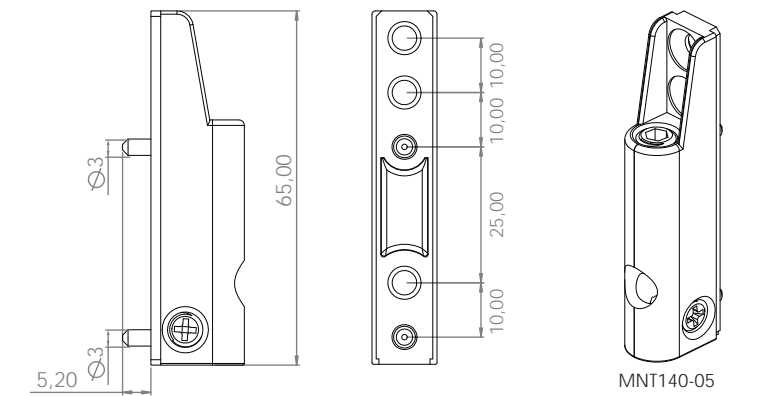
	Qty. 	Kg
MNT140-03	100	6,02
MNT140-04	100	5,60



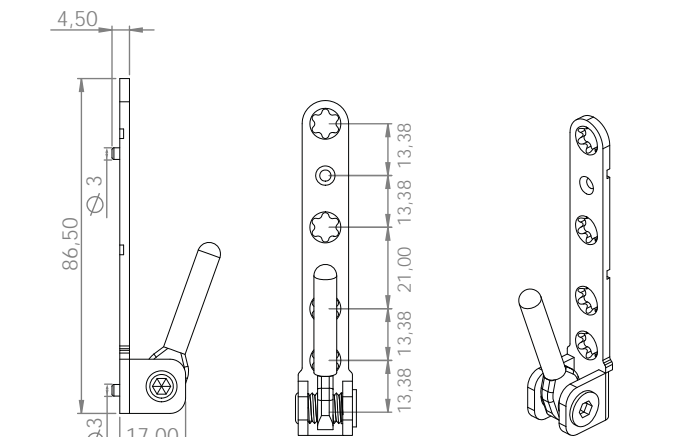
MNT140-06

Bottom Corner Hinge ●

		Qty.	Kg
MNT140-05	100	100	4,10
MNT140-06	130	100	4,45



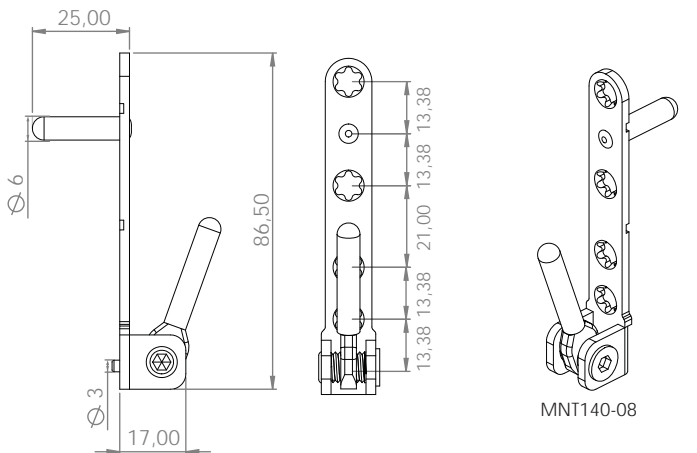
MNT140-05



MNT140-07

Bottom Corner Bearing ●

		Qty.	Kg
MNT140-07	100	100	3,57
MNT140-08	130	100	4,15

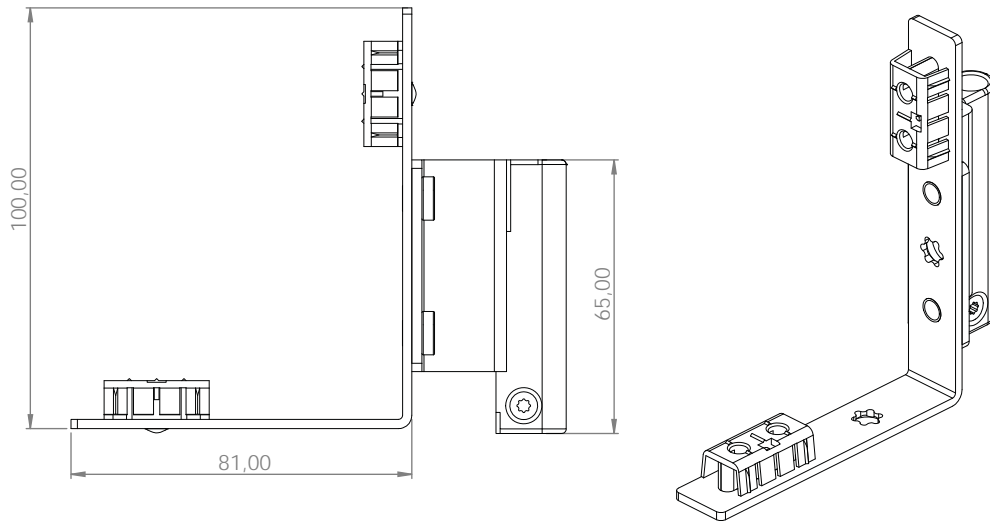




MNT140-08

Tilt And Turn Systems

Hinges

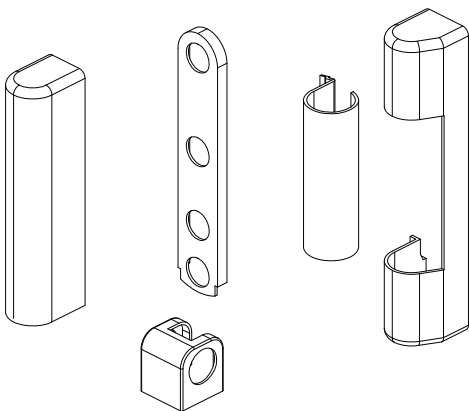
Rebate Hinge



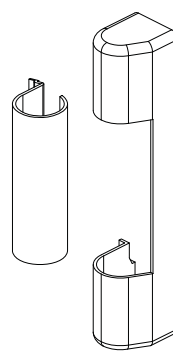
	A	Qty. 	Kg
KKM240-03	13 Right	100	14,7
KKM240-04	13 Left	100	14,7
KKM240-05	9 Right	100	14,7
KKM240-06	9 Left	100	14,7

Hinge Cover Set

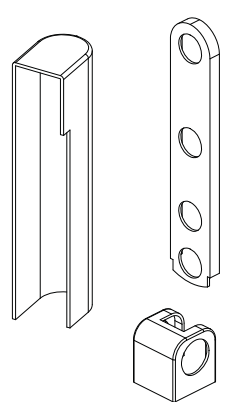
PLK170-01





PLK170-02

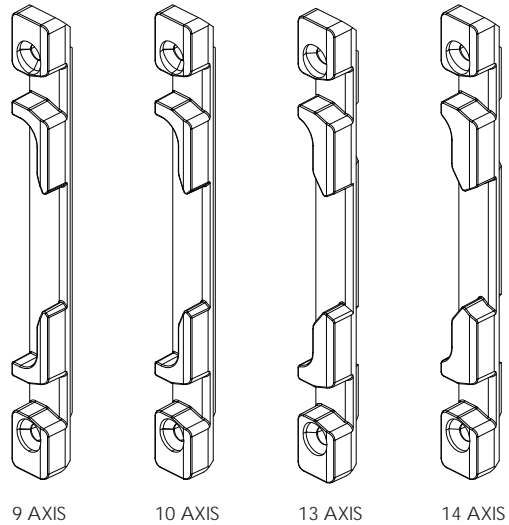
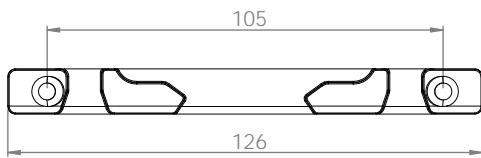


PLK170-03



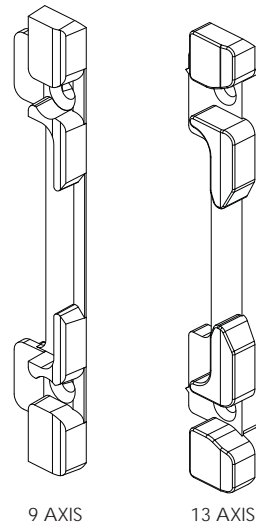
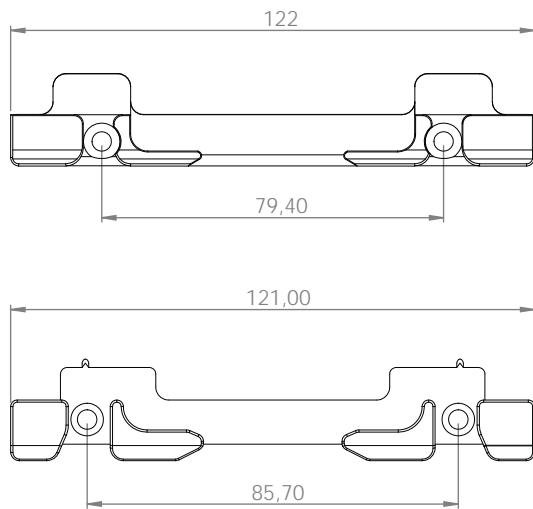
	Qty. 	Kg
PLK170-01	100	1,14
PLK170-02	100	0,60
PLK170-03	100	0,78

Pivot Tilt Locking Plates ●



	A	Qty.	Kg
APK150-01	9	100	4,40
APK150-09	10	100	3,85
APK150-02	13	100	4,17
APK150-10	14	100	4,20

Pivot Tilt Locking Plates - For Aluminium ●

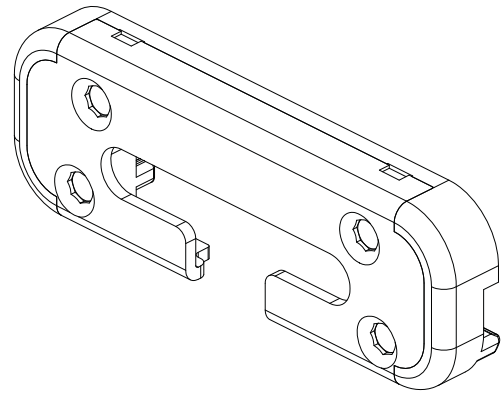
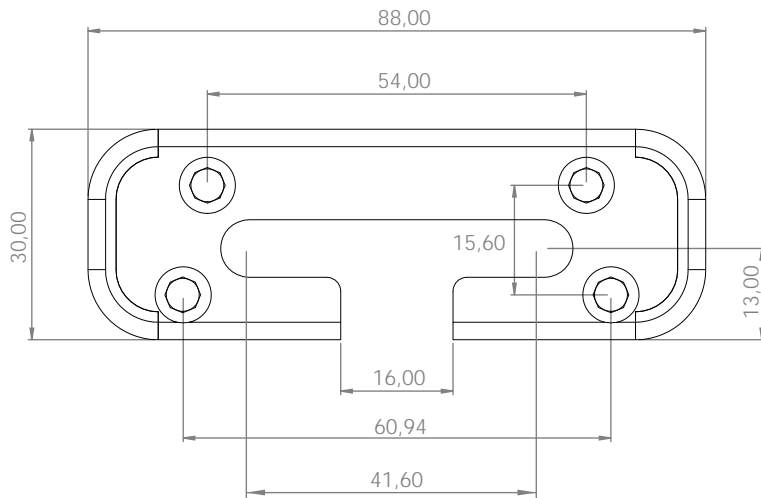




	Axis	Qty.	Kg
APK150-11	13	100	4,2
APK150-12	9	100	4,4

Tilt And Turn Systems

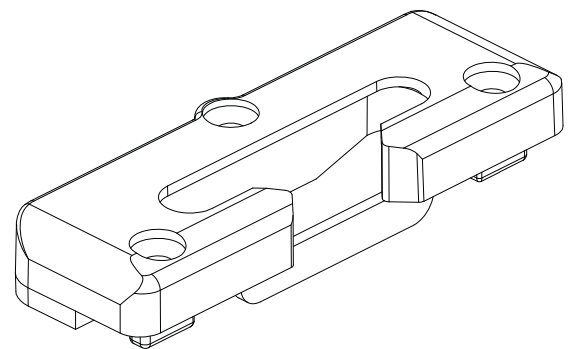
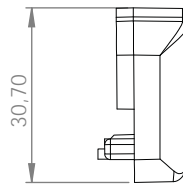
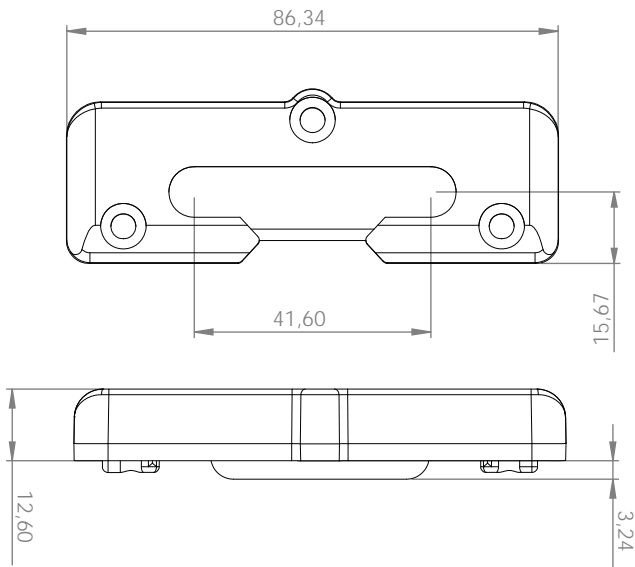
Tilt Locking Plates



Security Tilt Locking Plate - Steel



	Axis	Qty. 	Kg
APK150-04	9	100	4,49
APK150-05	13	100	4,38

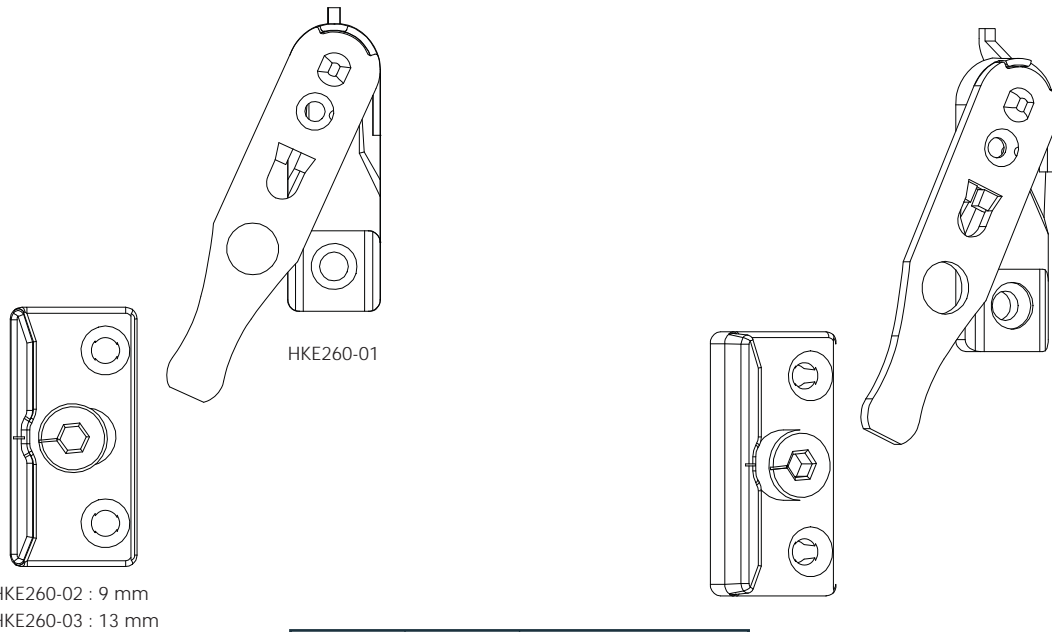
Security Tilt Locking Plate - Zinc





	Axis	Qty. 	Kg
APK150-06	13	100	7,35

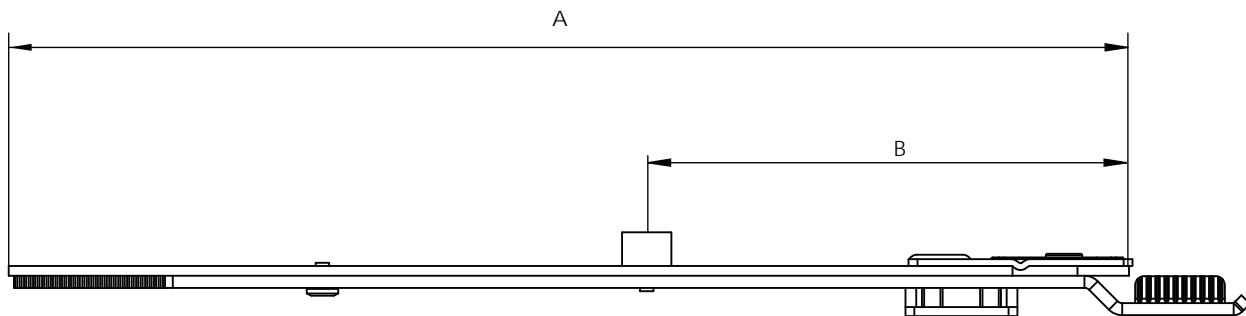
Faulty Usage Blocker & Extension Lock ●



Faulty Usage Blocker & Sash Lifter ●



	Axis	Qty. 	Kg
HKE260-01	-	100	3,42
HKE260-02	9	100	2,85
HKE260-03	13	100	2,87

Extension Gears ●

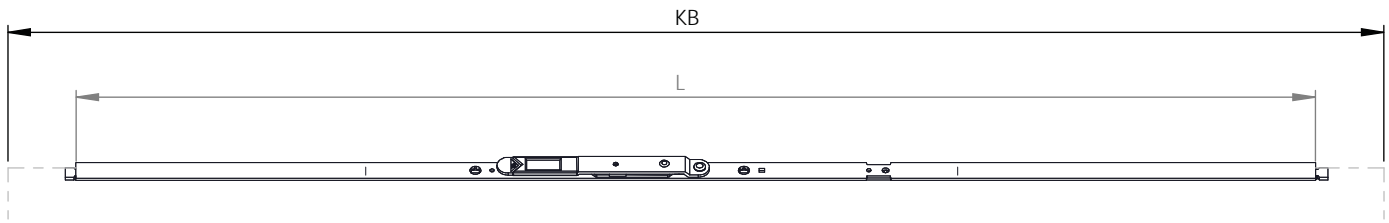





	A	B	Qty. 	Kg
UP250-01	220	81	100	11,15
UP250-02	400	81	100	-

Tilt And Turn Systems

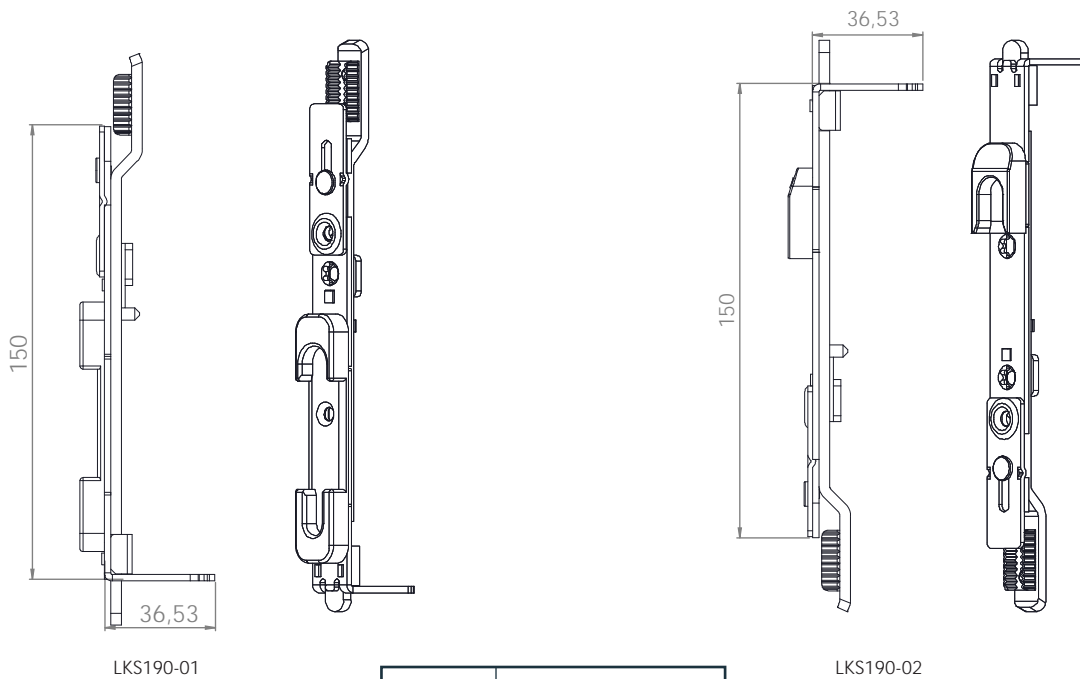
- Double Sash Systems



- Double Sash Espagnollettes



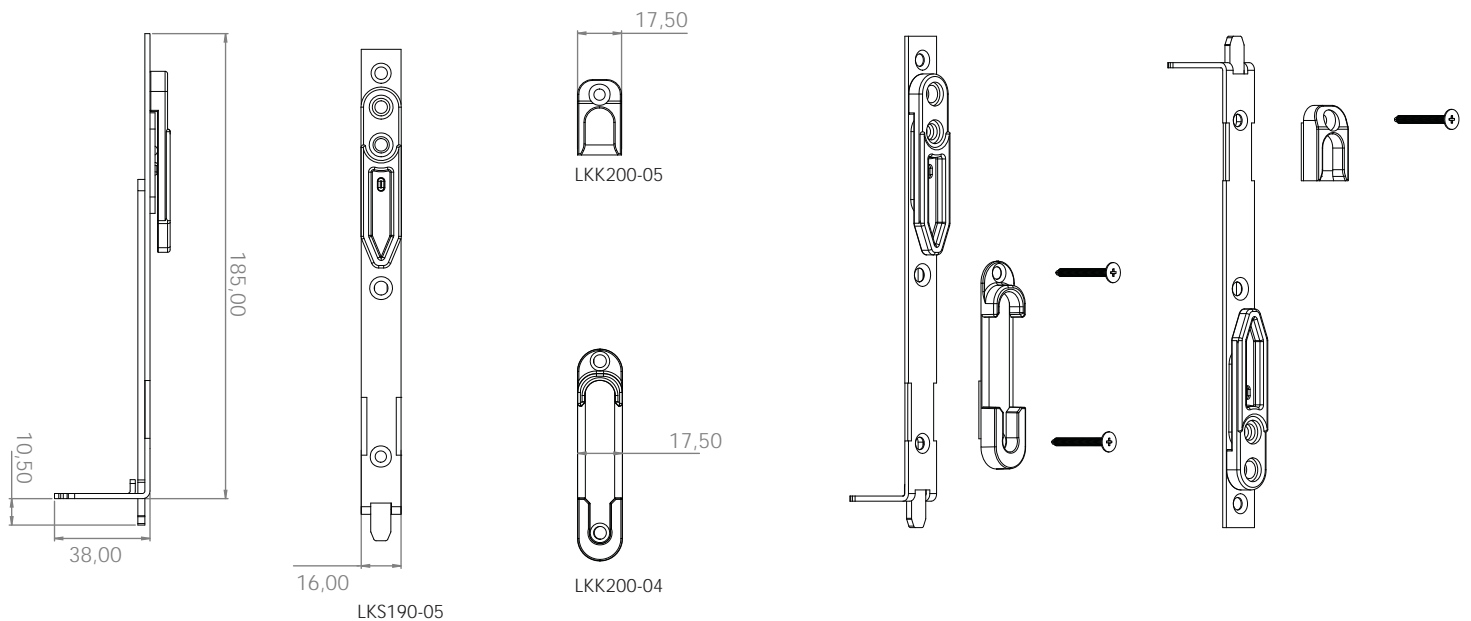
	KB	L		Qty. 	Kg
LISP180-1	500-700	400	2	10	2,50
LISP180-2	700-1200	900	2	10	5,00
LISP180-3	900-1400	1100	2	10	5,75
LISP180-4	1200-1700	1400	2	10	7,30
LISP180-5	1700-2200	1900	3	10	9,750
LISP180-6	1900-2400	2100	3	10	12,00

- Espagnollette Operated Bottom And Top Shootbolt



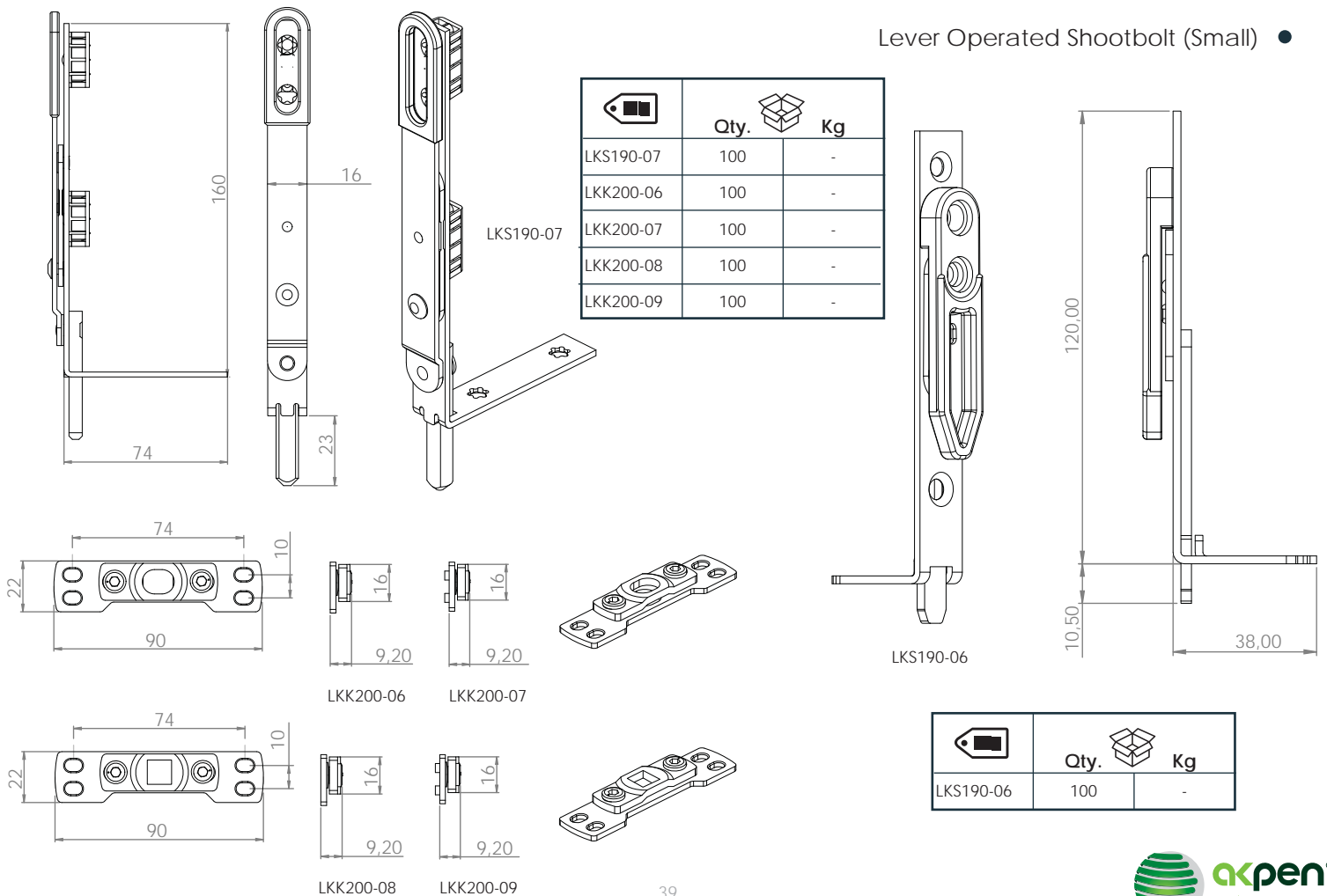
	Qty. 	Kg
LKS190-01	100	13,35
LKS190-02	100	11,45

Lever Operated Bottom And Top Shootbolt



	Qty.		Kg
LKS190-05	100	-	-
LKK200-04	100	-	-
LKK200-05	100	-	-

Lever Operated Shootbolt (Small)



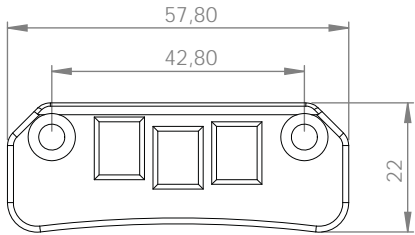
	Qty.		Kg
LKS190-07	100	-	-
LKK200-06	100	-	-
LKK200-07	100	-	-
LKK200-08	100	-	-
LKK200-09	100	-	-

	Qty.		Kg
LKS190-06	100	-	-

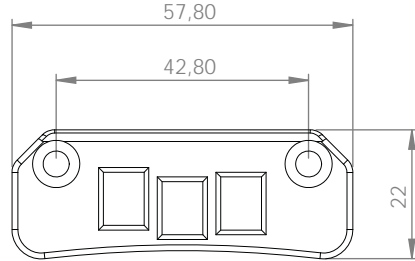
Tilt And Turn Systems

● Double Sash Systems



● Shootbolt Striker



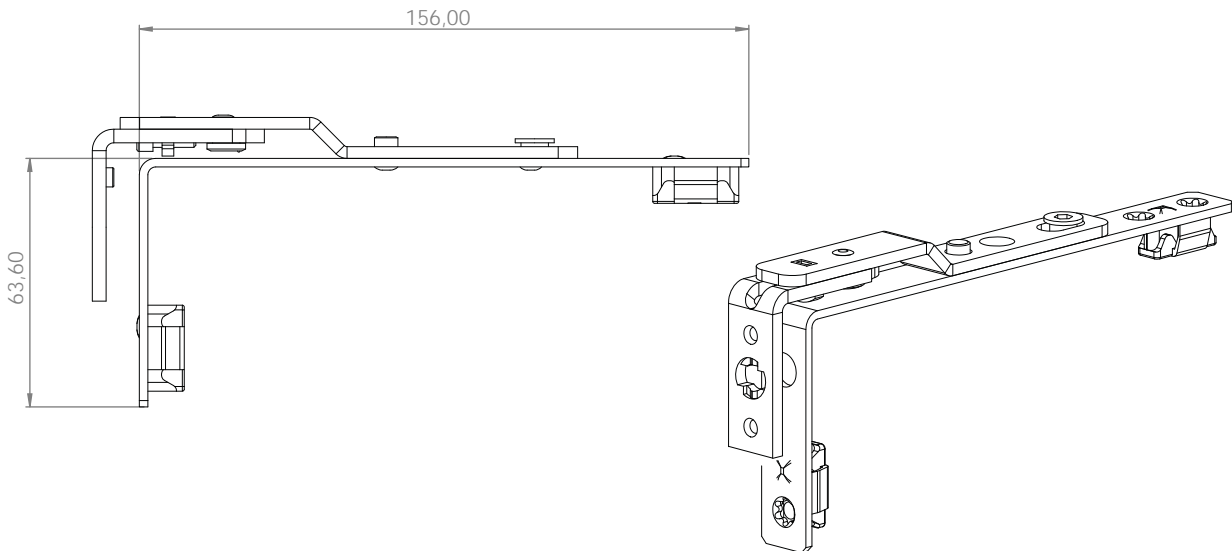
LKK200-01





LKK200-02

	Axis	Qty. 	Kg
LKK200-01	9	100	4,49
LKK200-02	13	100	4,38

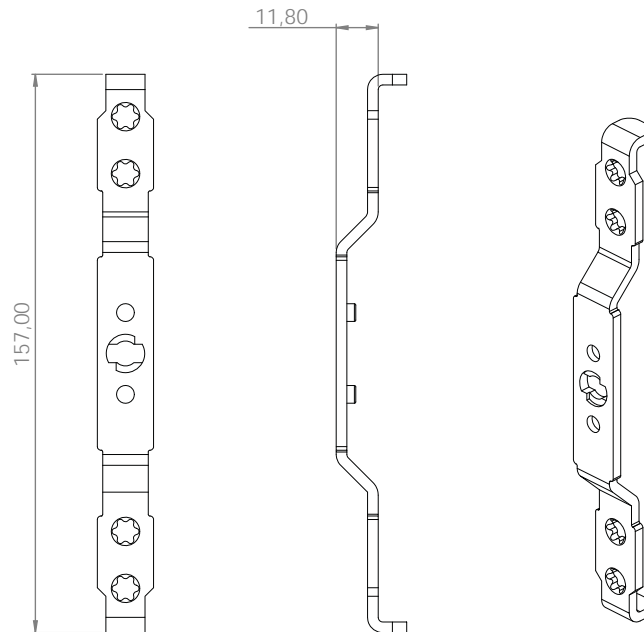
● Side Hung Sash Hinge





	Qty. 	Kg
TUM 210-01	100	11,080

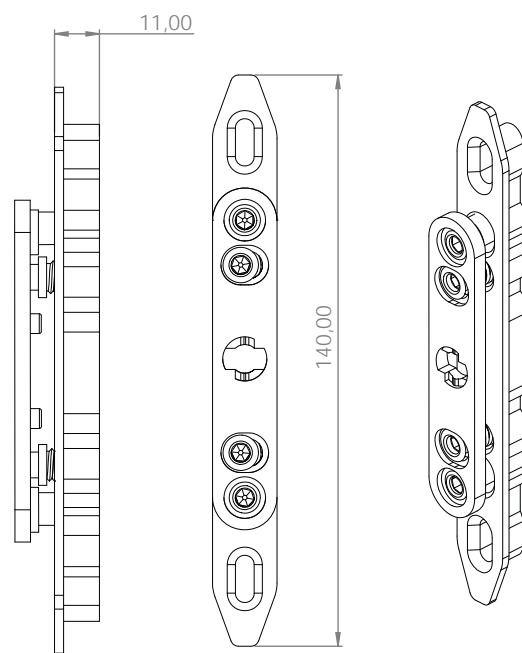
Double Sash Systems ●



Middle Hinge Body ●



	Qty. 	Kg
TOM 220-02	100	6,500

3D Adj. Middle Hinge Body ●

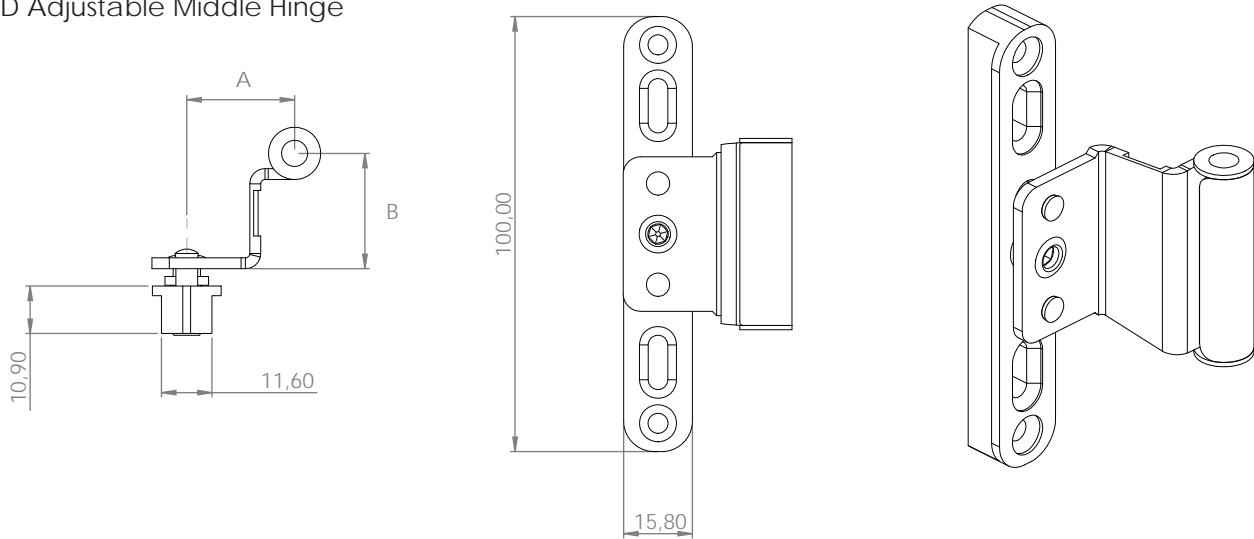




	Qty. 	Kg
TOM 220-01	100	9,700

Tilt And Turn Systems

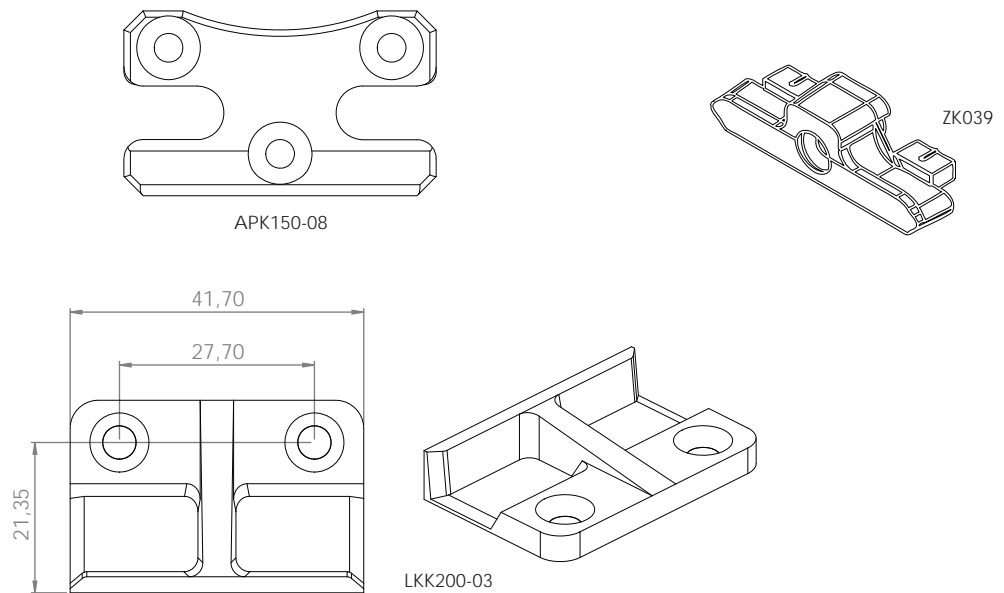
● Double Sash Systems



● 2D Adjustable Middle Hinge



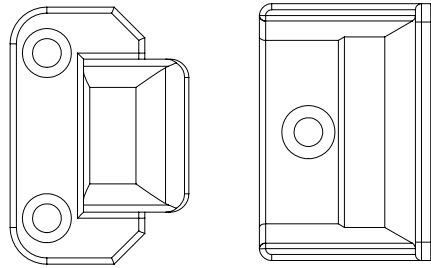
	Axis	Qty. 	Kg
TOM 220-03	9	-	-
TOM 220-04	13	-	-



● Locking Plates



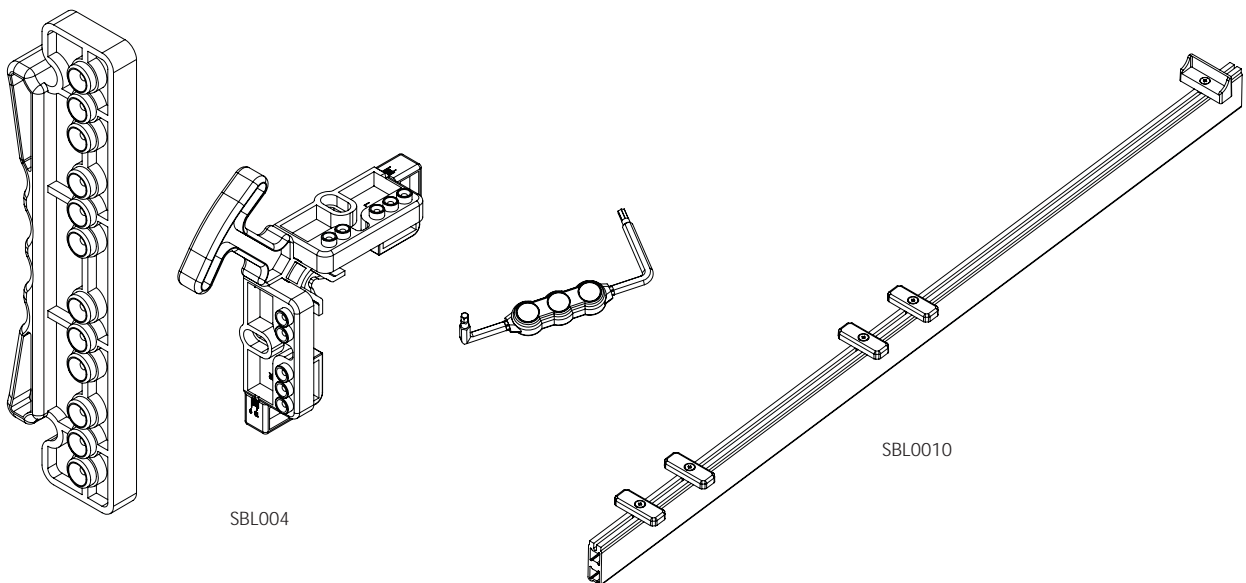
	Axis	Qty. 	Kg
APK150-08	13	100	3,89
LKK200-03	-	500	10,30
ZK039	13	500	8,30



Gasket Pressure Hinge ●



	Axis	Qty. 	Kg
KOB 230-01	9	100	1,715
KOB 230-02	13	100	1,730

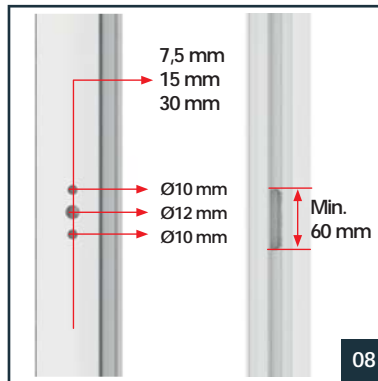
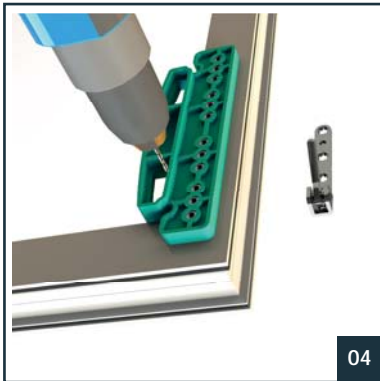
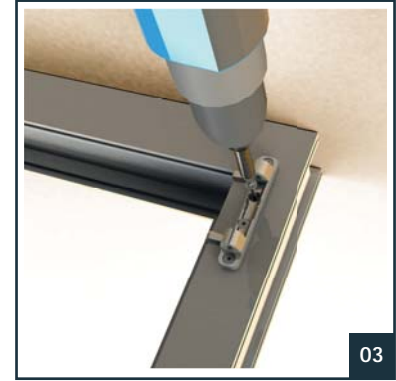
Assembly Instruments ●

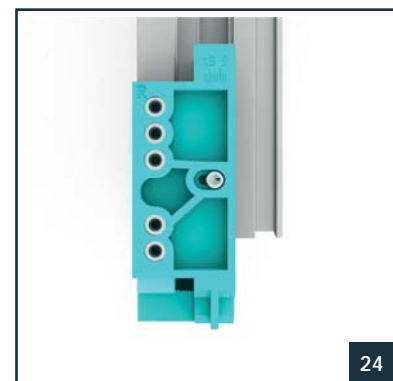
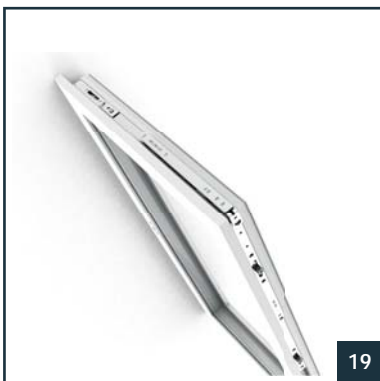


	Qty. 	Kg
SBL004	-	-
SBL010	-	-

Tilt And Turn Systems

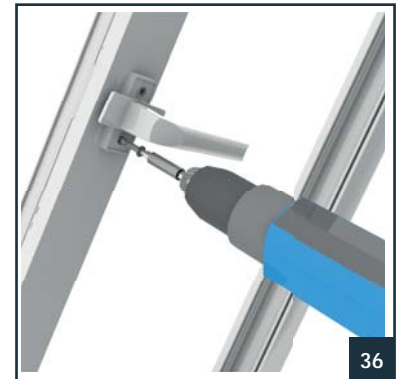
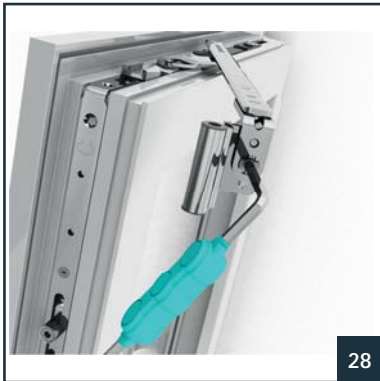
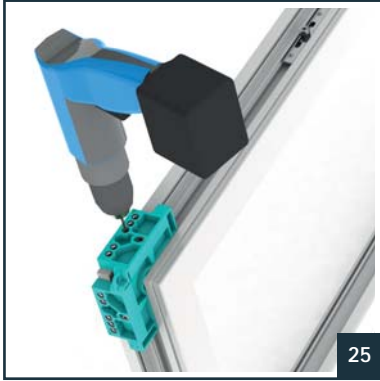
● Assembly Instruction

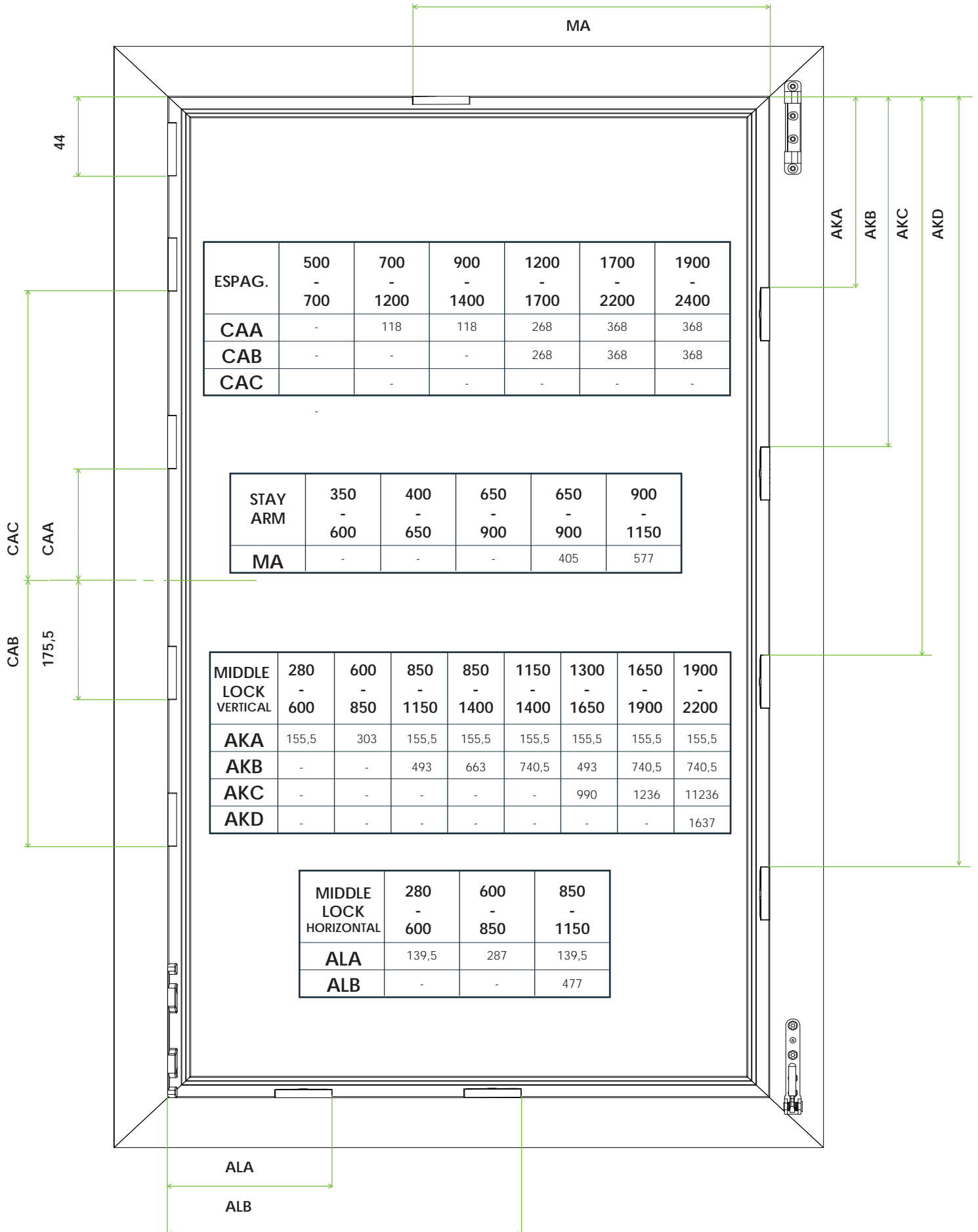




Tilt And Turn Systems

- Assembly Instruction







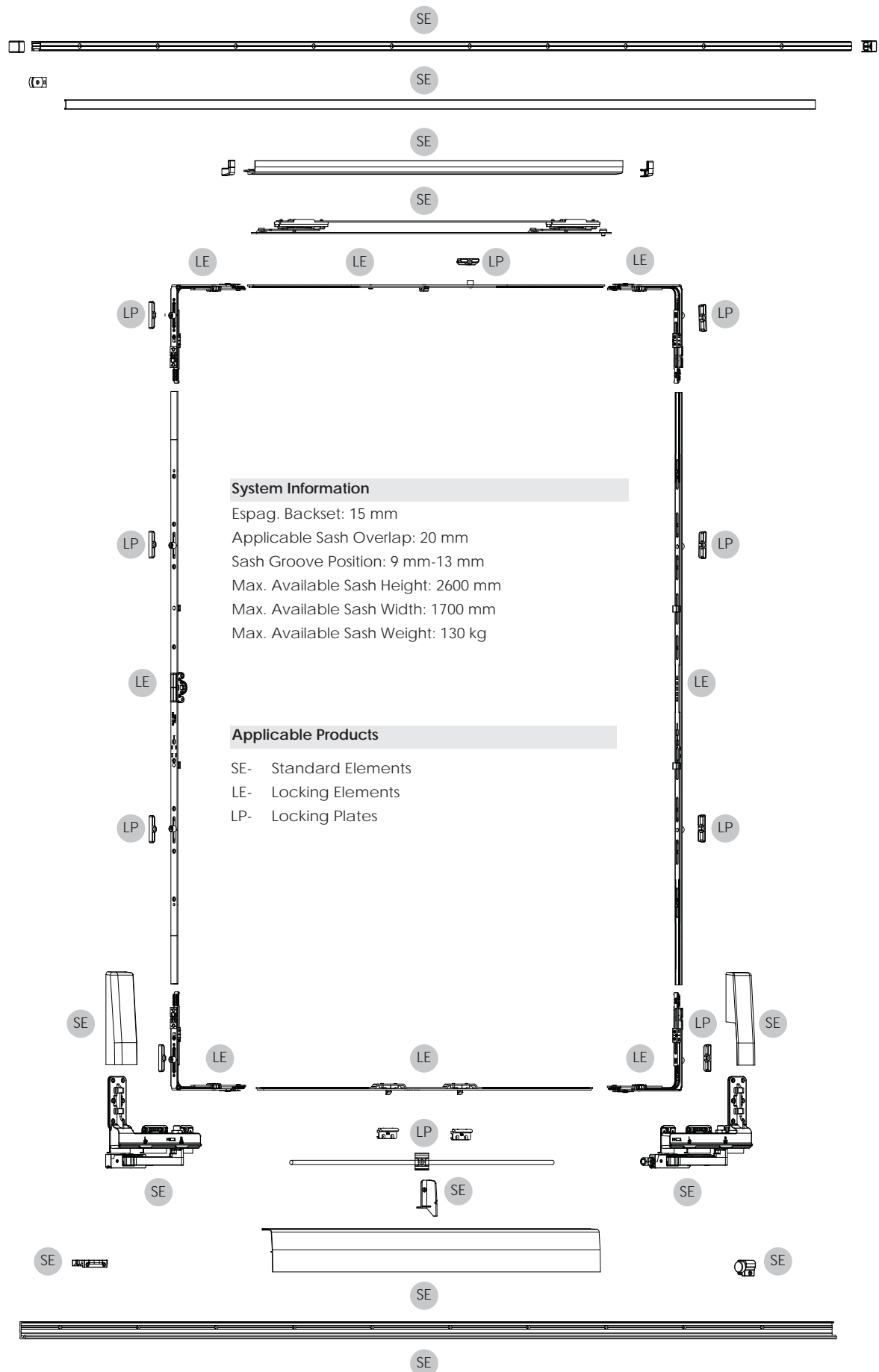


A014

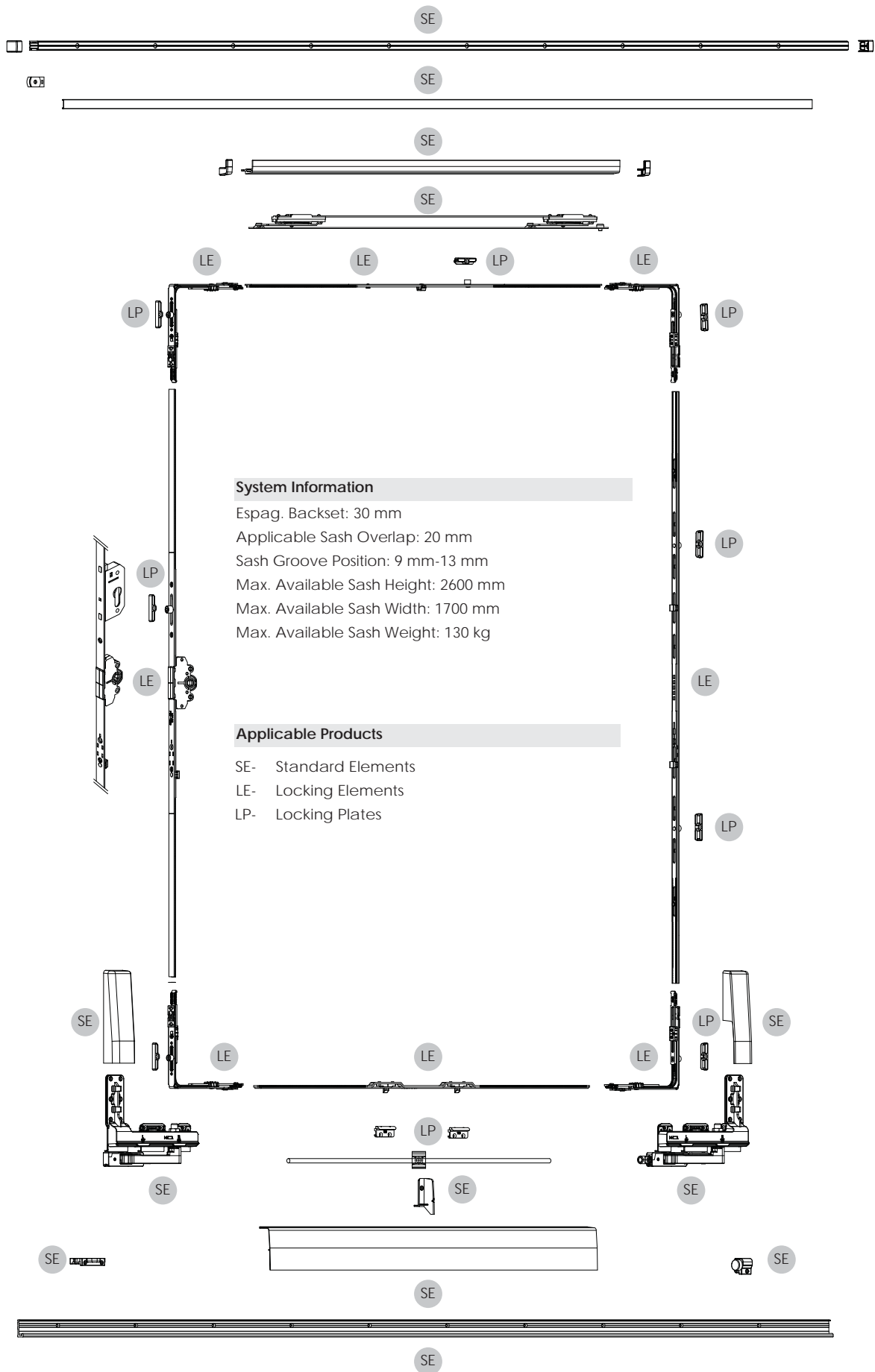
TILT AND SLIDE SYSTEM HANDLE

Tilt And Slide Systems

● 15 mm Backset Basic Security Level Semi Automatic System

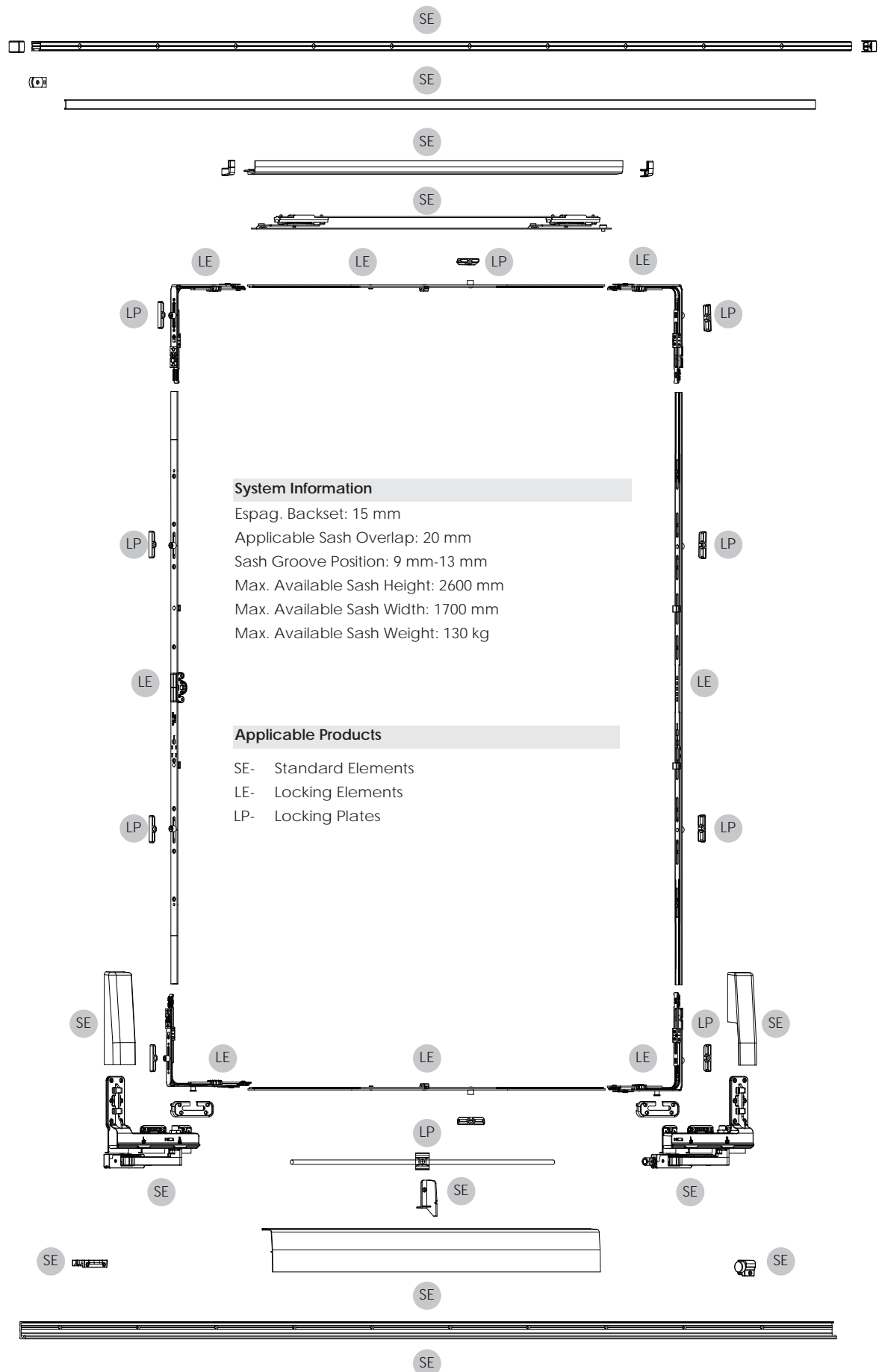


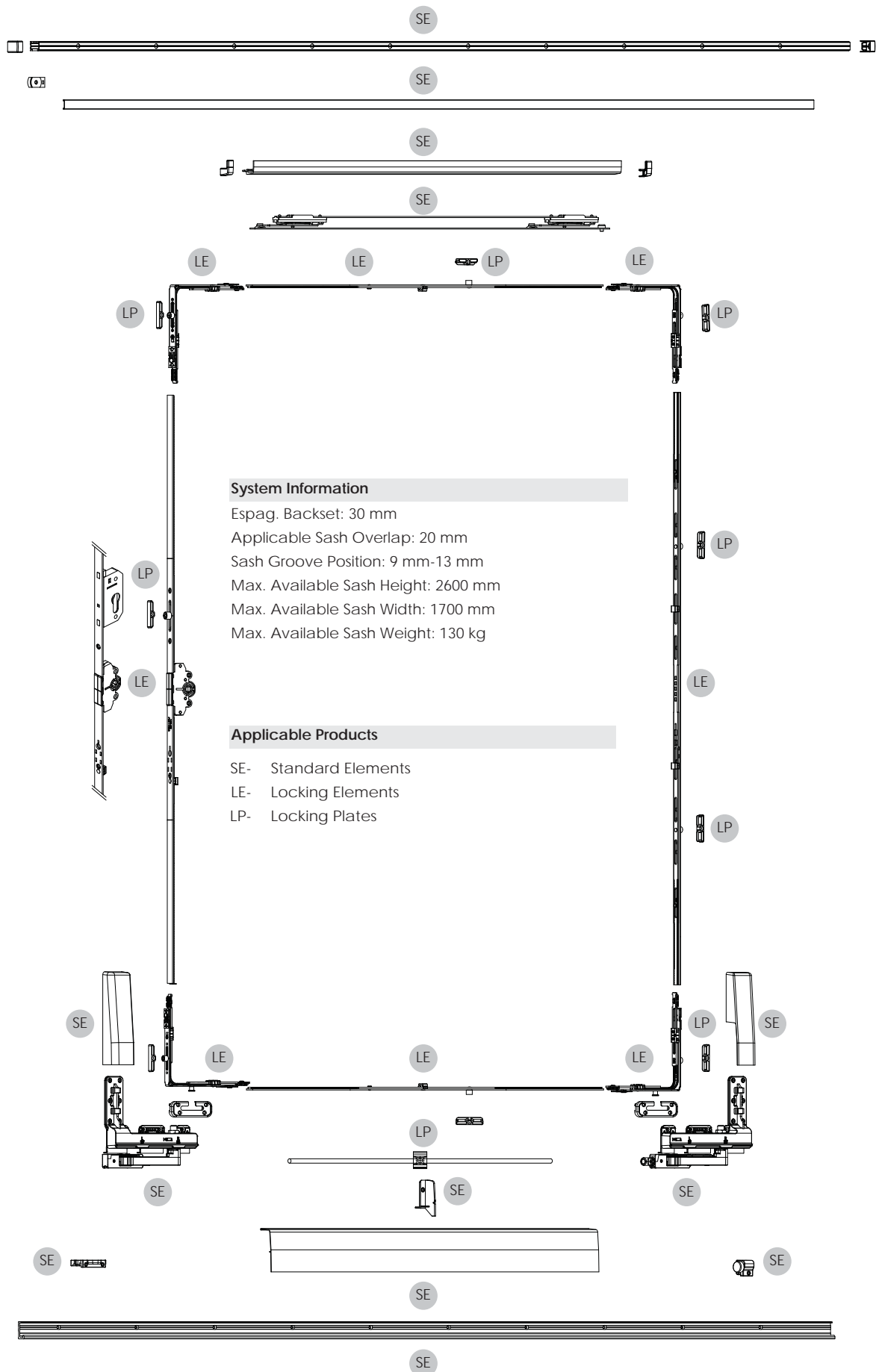
30 mm Backset Basic Security Level Semi Automatic System



Tilt And Slide Systems

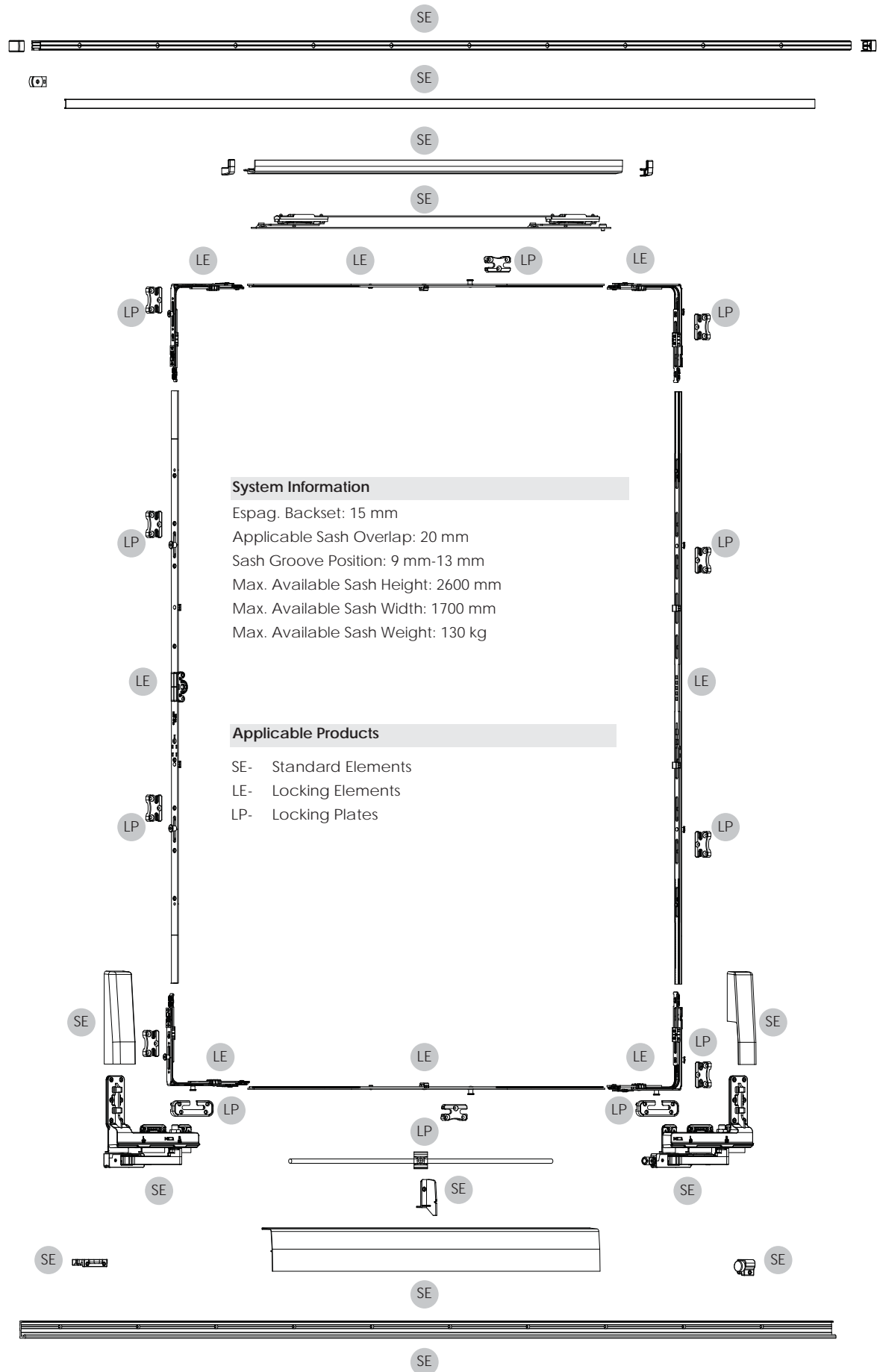
- 15 mm Backset Basic Security Level Manual System

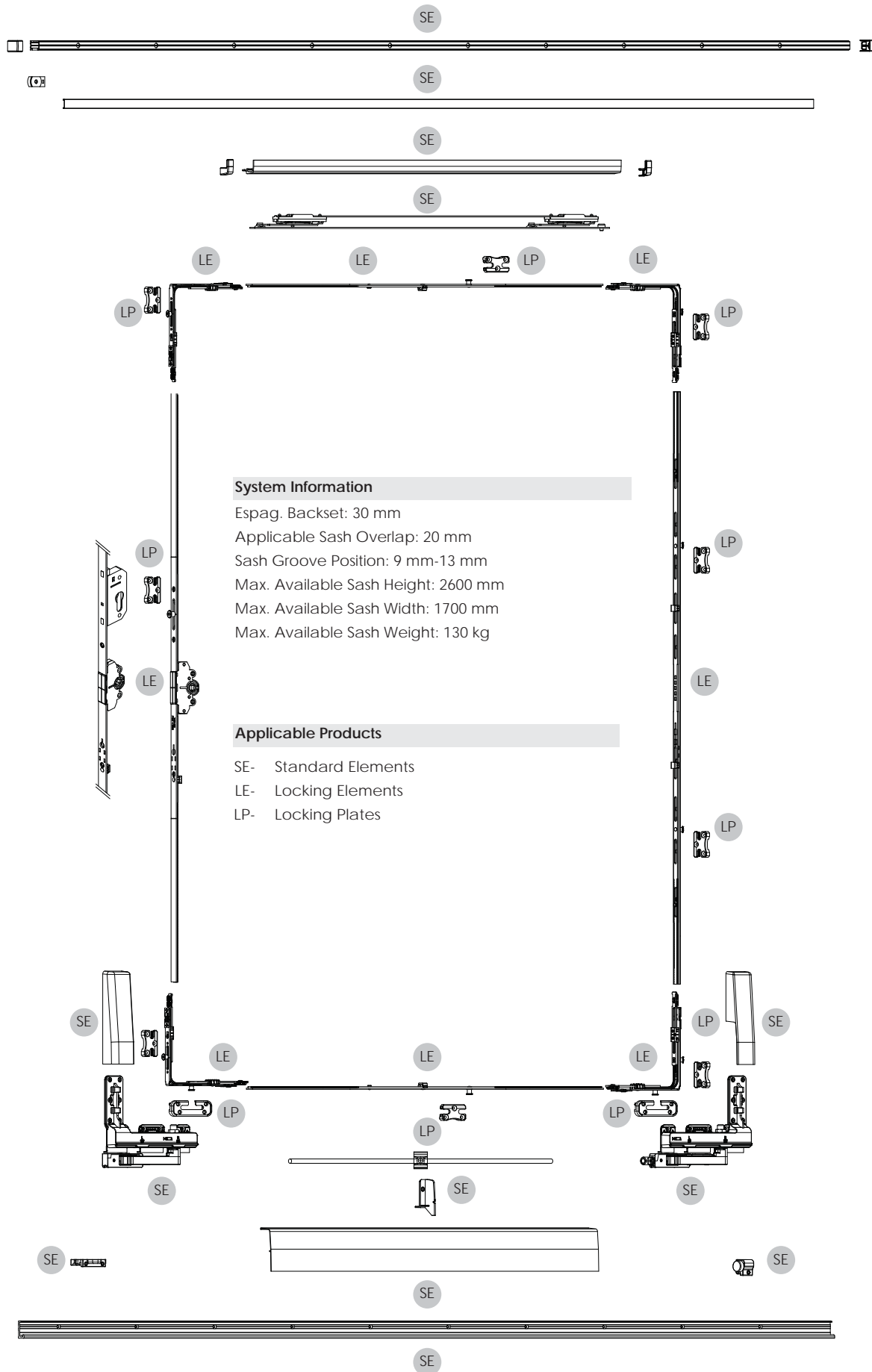




Tilt And Slide Systems

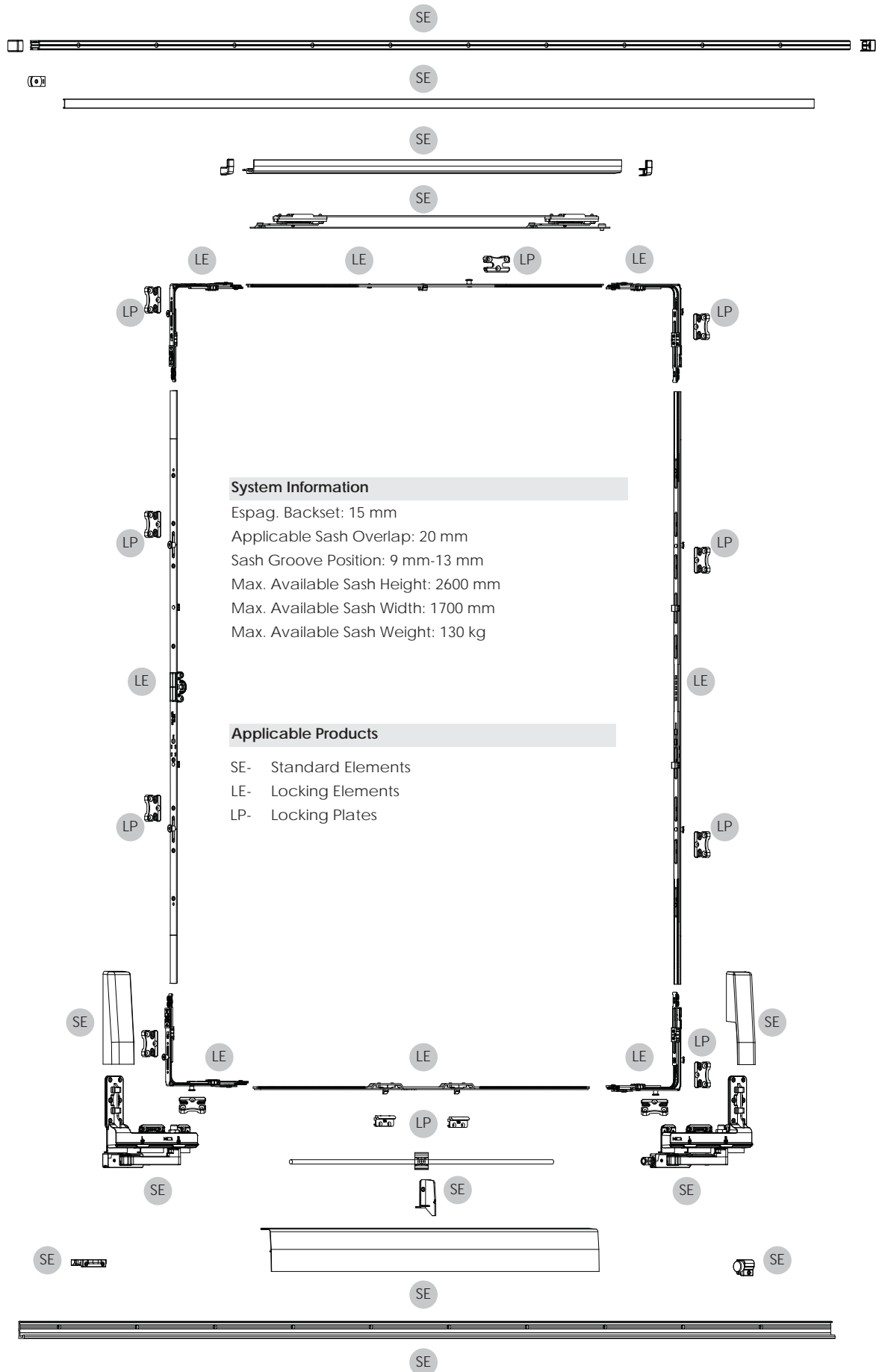
- 15 mm Backset High Security Level Manual System



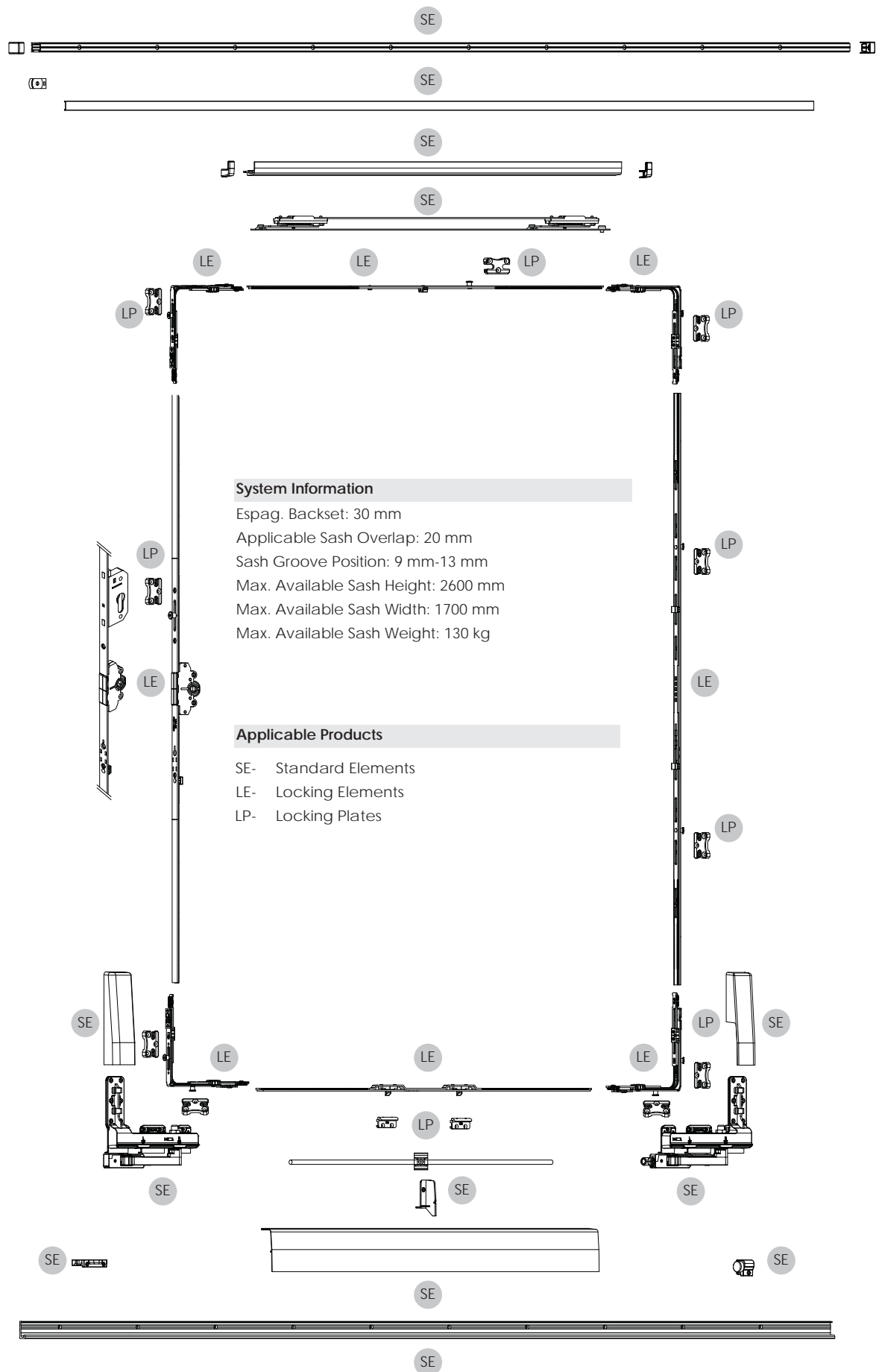


Tilt And Slide Systems

15 mm Backset High Security Level Semi Automatic System



30 mm Backset High Security Level Semi Automatic System



System Information

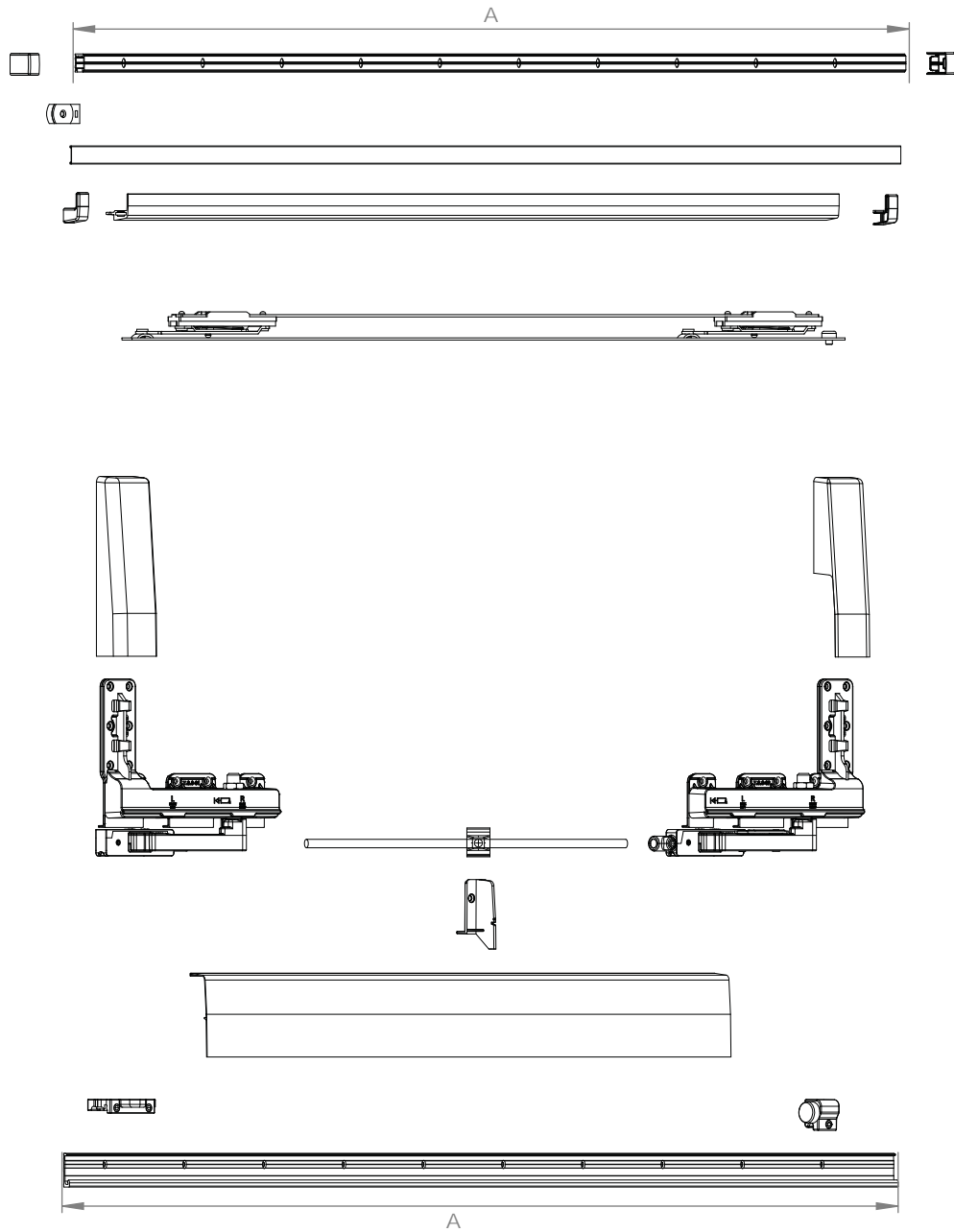
Espag. Backset: 30 mm
 Applicable Sash Overlap: 20 mm
 Sash Groove Position: 9 mm-13 mm
 Max. Available Sash Height: 2600 mm
 Max. Available Sash Width: 1700 mm
 Max. Available Sash Weight: 130 kg



Applicable Products

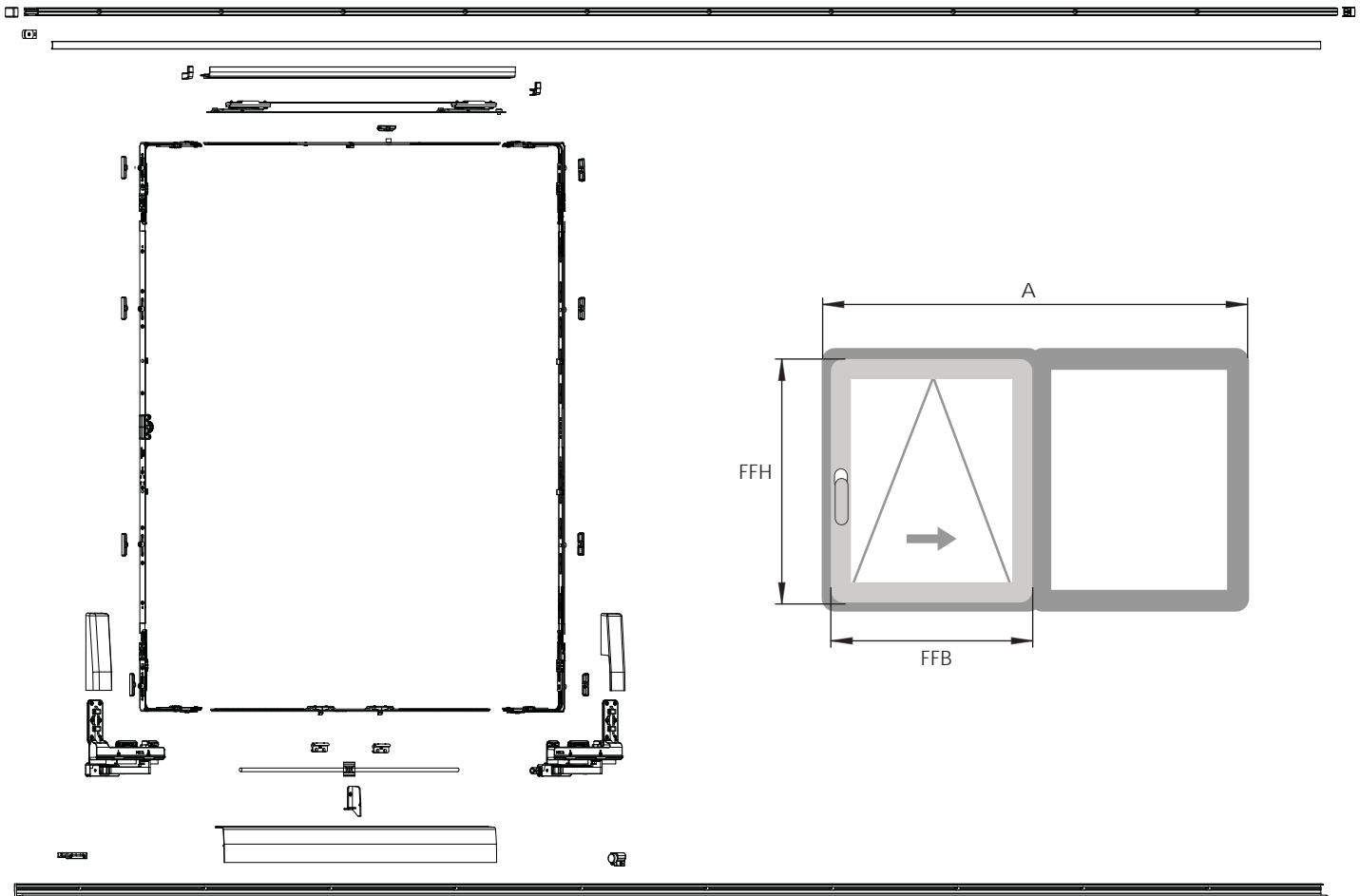
- SE- Standard Elements
- LE- Locking Elements
- LP- Locking Plates

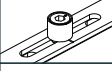
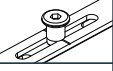

Tilt And Slide Systems

- Classic Tilt And Slide System



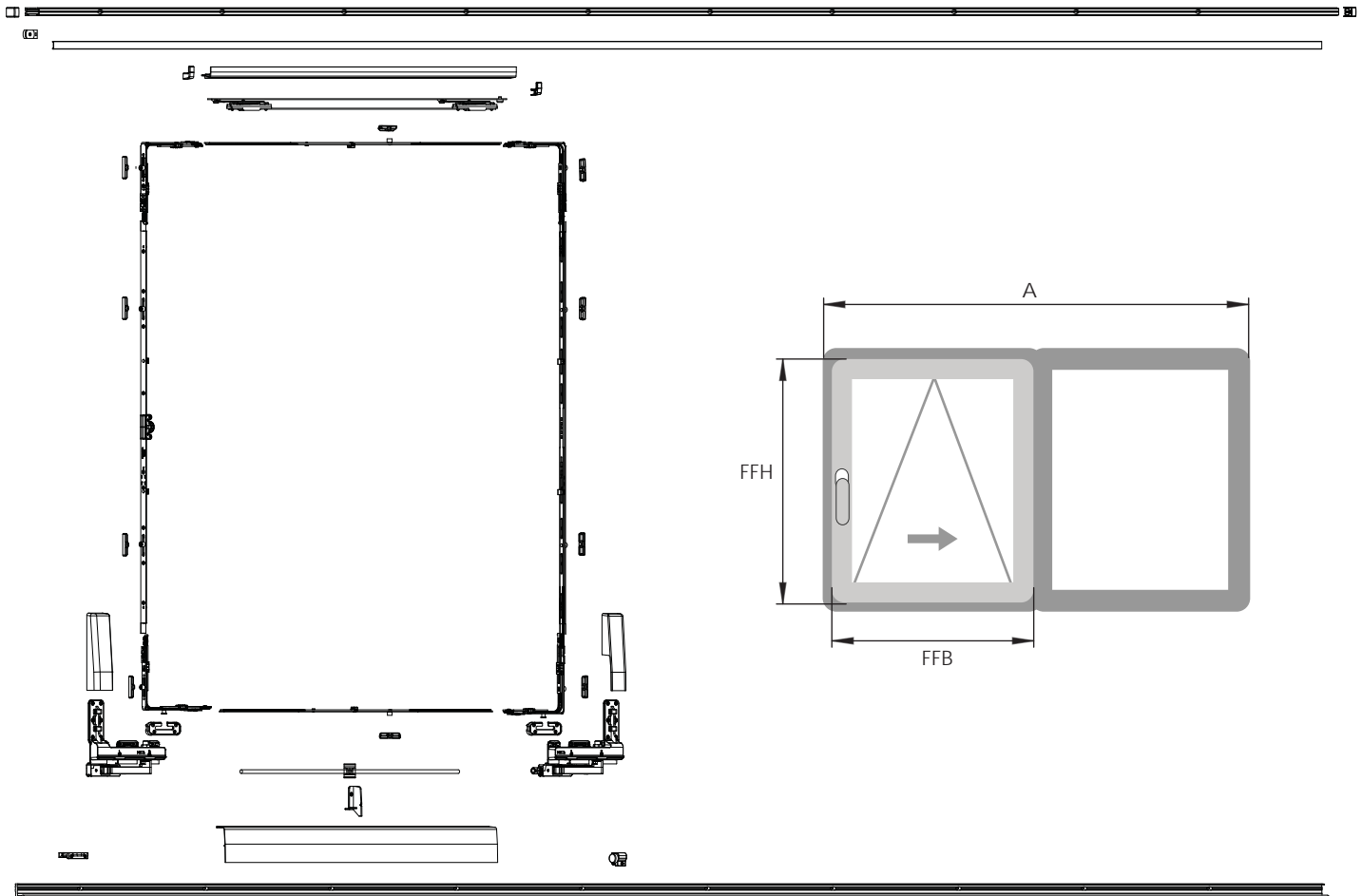
A		Qty. 	Kg
1930	TSS.K 1000	1	5,05
2630	TSS.K 1250	1	5,85
3430	TSS.K 1650	1	7,05

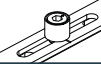
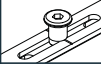



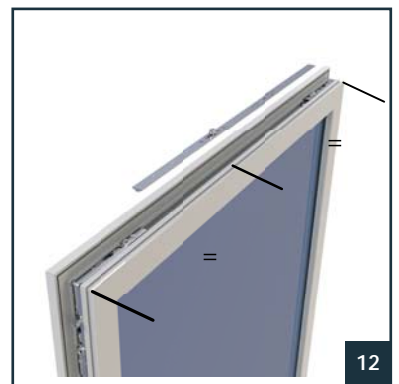
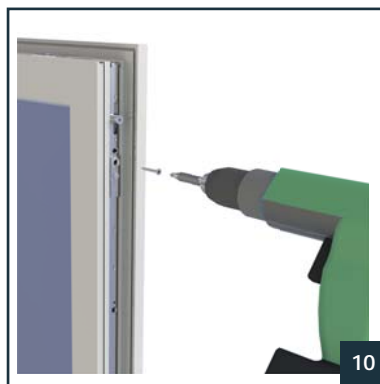
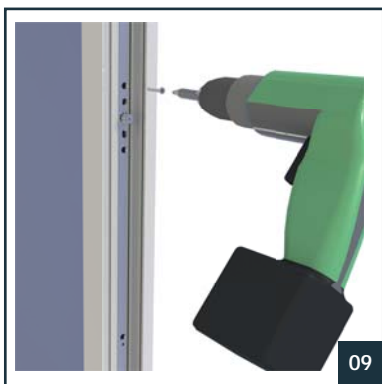
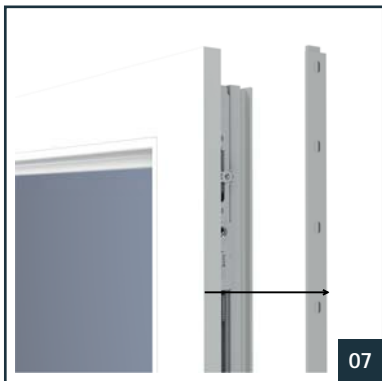
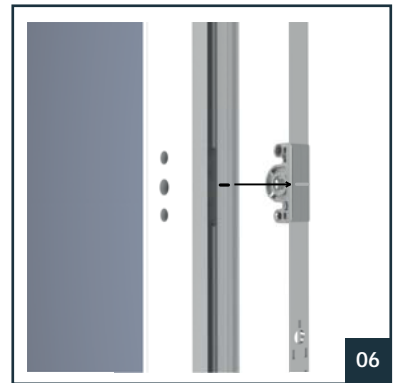
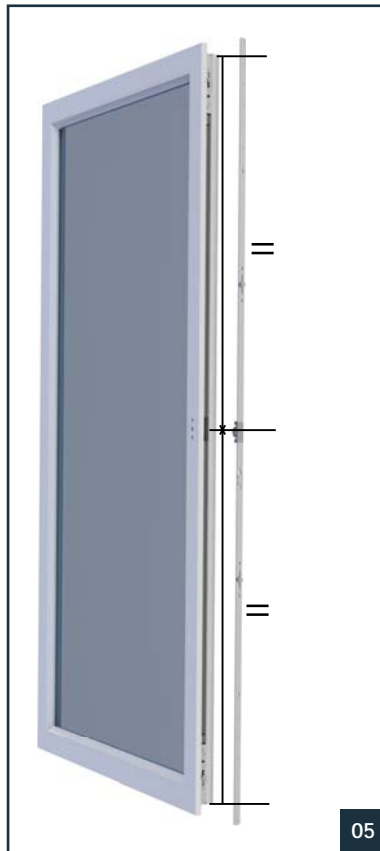
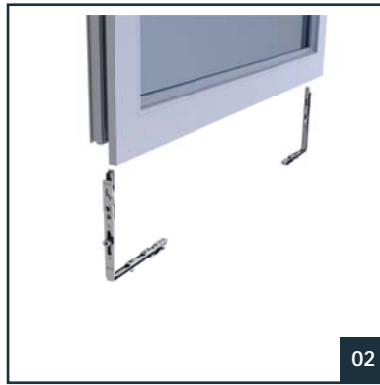
A	FFB	FFH			Qty. 	Kg
1930	600 - 900	700 - 1200	TSS 1930-A	TSSE 1930-A	1	-
		900 - 1400	TSS 1930-B	TSSE 1930-B	1	-
		1200 - 1700	TSS 1930-C	TSSE 1930-C	1	-
		1700 - 2200	TSS 1930-D	TSSE 1930-D	1	-
		1900 - 2400	TSS 1930-E	TSSE 1930-E	1	-
2630	900 - 1200	700 - 1200	TSS 2630-A	TSSE 2630-A	1	-
		900 - 1400	TSS 2630-B	TSSE 2630-B	1	-
		1200 - 1700	TSS 2630-C	TSSE 2630-C	1	-
		1700 - 2200	TSS 2630-D	TSSE 2630-D	1	-
		1900 - 2400	TSS 2630-E	TSSE 2630-E	1	-
3430	1200 - 1500	700 - 1200	TSS 3430-F	TSSE 3430-F	1	-
		900 - 1400	TSS 3430-G	TSSE 3430-G	1	-
		1200 - 1700	TSS 3430-H	TSSE 3430-H	1	-
		1700 - 2200	TSS 3430-K	TSSE 3430-K	1	-
		1900 - 2400	TSS 3430-L	TSSE 3430-L	1	-
	1500 - 1700	700 - 1200	TSS 3430-A	TSSE 3430-A	1	-
		900 - 1400	TSS 3430-B	TSSE 3430-B	1	-
		1200 - 1700	TSS 3430-C	TSSE 3430-C	1	-
		1700 - 2200	TSS 3430-D	TSSE 3430-D	1	-
		1900 - 2400	TSS 3430-E	TSSE 3430-E	1	-

Tilt And Slide Systems

● Manual Tilt And Slide Systems

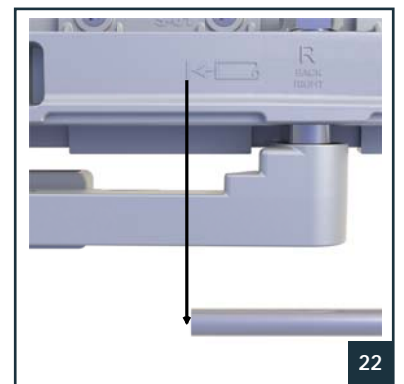
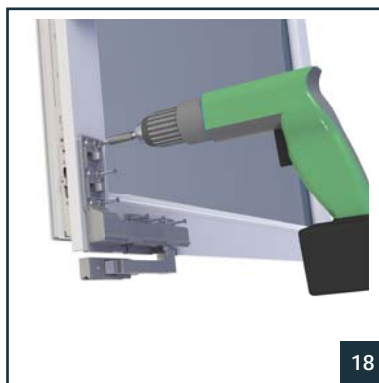
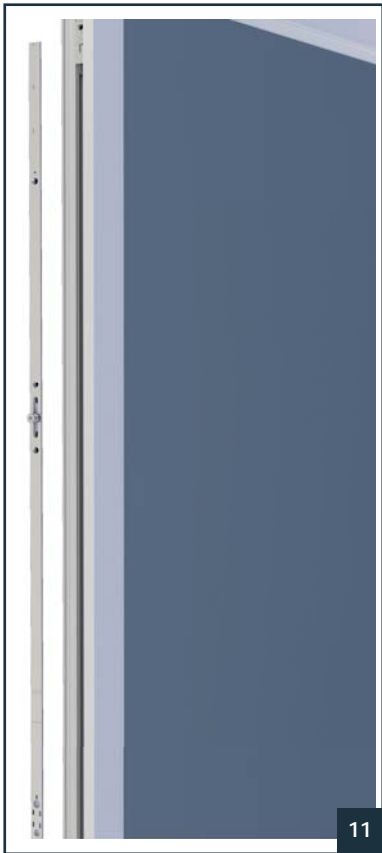


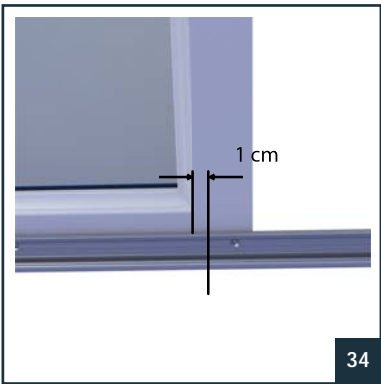
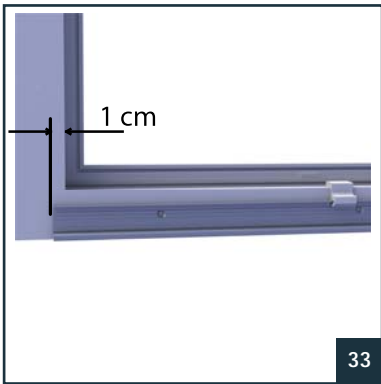
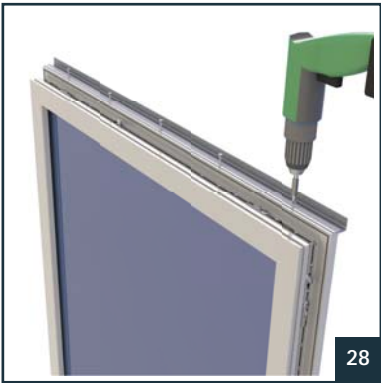
A	FFB	FFH			Qty. 	Kg
1930	600 - 900	700 - 1200	TSS 1930-M	TSSE 1930-M	1	-
		900 - 1400	TSS 1930-N	TSSE 1930-N	1	-
		1200 - 1700	TSS 1930-O	TSSE 1930-O	1	-
		1700 - 2200	TSS 1930-P	TSSE 1930-P	1	-
		1900 - 2400	TSS 1930-R	TSSE 1930-R	1	-
2630	900 - 1200	700 - 1200	TSS 2630-M	TSSE 2630-M	1	-
		900 - 1400	TSS 2630-N	TSSE 2630-N	1	-
		1200 - 1700	TSS 2630-O	TSSE 2630-O	1	-
		1700 - 2200	TSS 2630-P	TSSE 2630-P	1	-
		1900 - 2400	TSS 2630-R	TSSE 2630-R	1	-
3430	1200 - 1500	700 - 1200	TSS 3430-S	TSSE 3430-S	1	-
		900 - 1400	TSS 3430-T	TSSE 3430-T	1	-
		1200 - 1700	TSS 3430-U	TSSE 3430-U	1	-
		1700 - 2200	TSS 3430-V	TSSE 3430-V	1	-
		1900 - 2400	TSS 3430-Y	TSSE 3430-Y	1	-
	1500 - 1700	700 - 1200	TSS 3430-M	TSSE 3430-M	1	-
		900 - 1400	TSS 3430-N	TSSE 3430-N	1	-
		1200 - 1700	TSS 3430-O	TSSE 3430-O	1	-
		1700 - 2200	TSS 3430-P	TSSE 3430-P	1	-
		1900 - 2400	TSS 3430-R	TSSE 3430-R	1	-



Tilt And Slide Systems

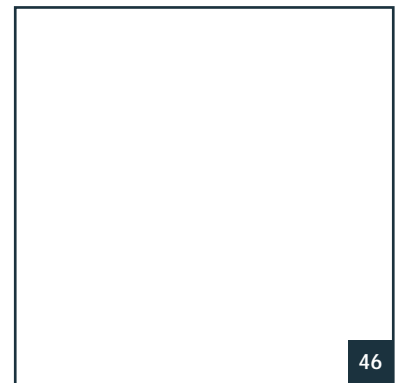
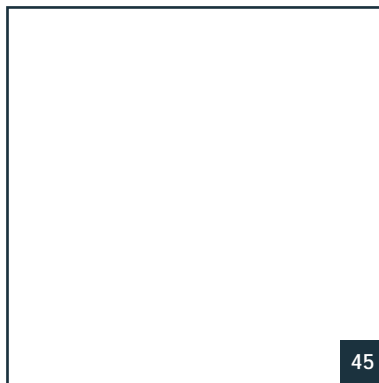
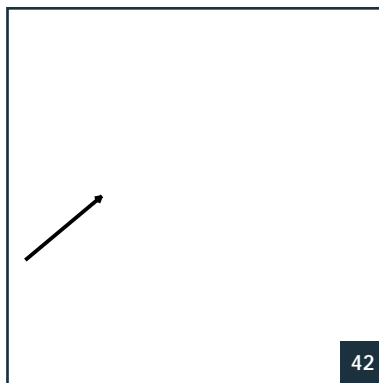
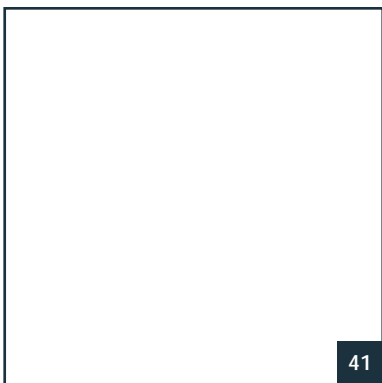
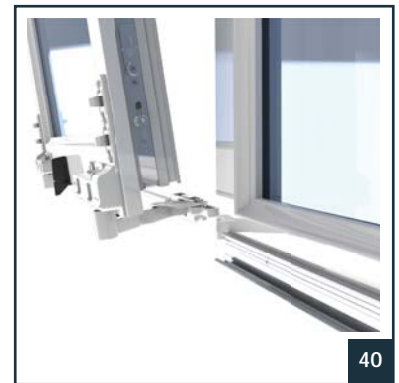
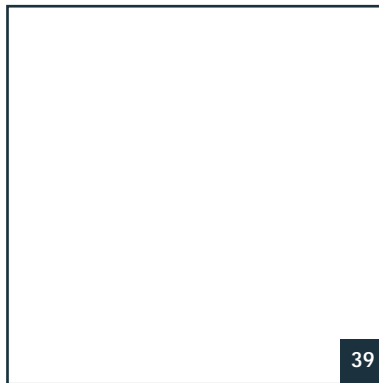
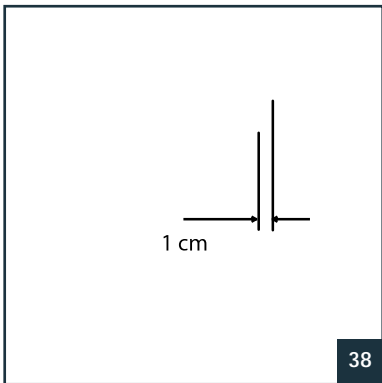
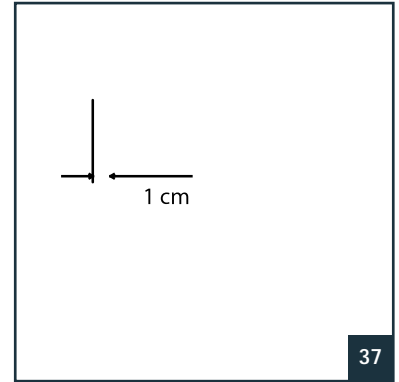
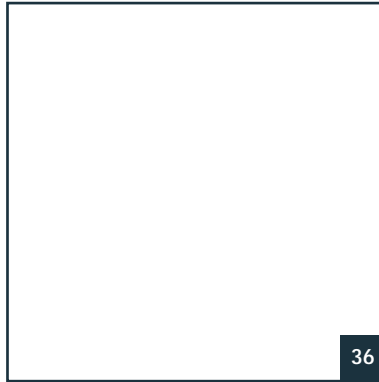
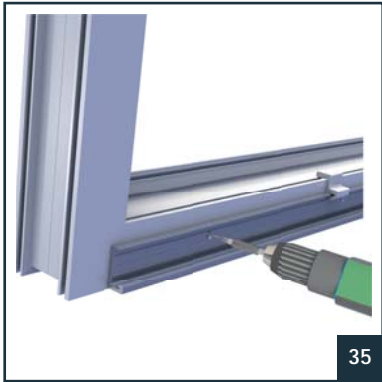
● Assembly Instructions

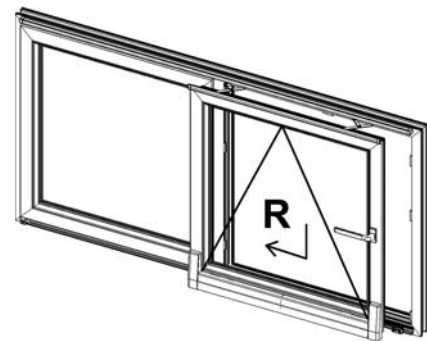
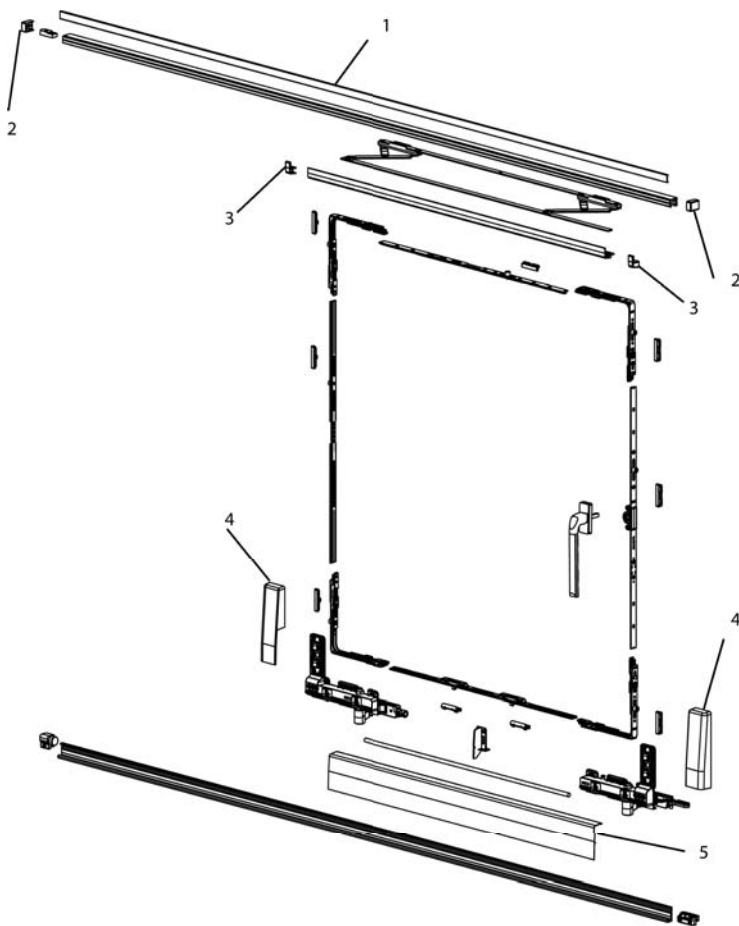
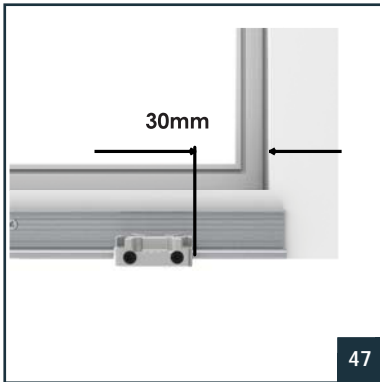




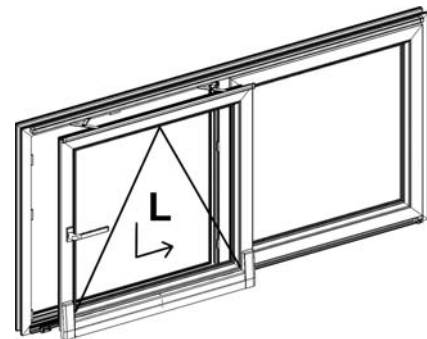
Tilt and Slide Systems

● Assembly Instructions





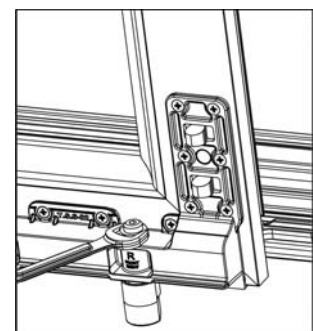
RIGHT DOOR

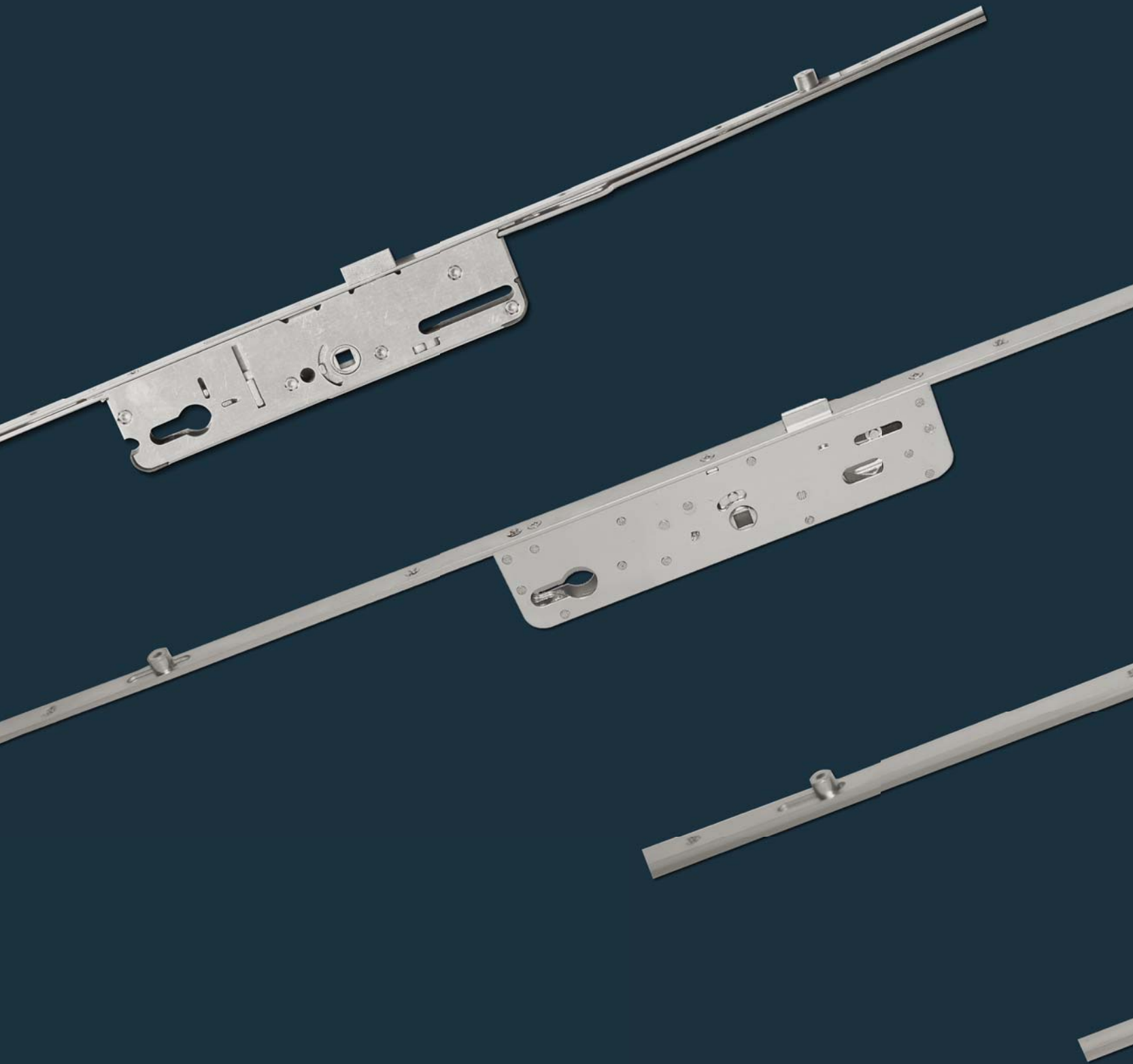


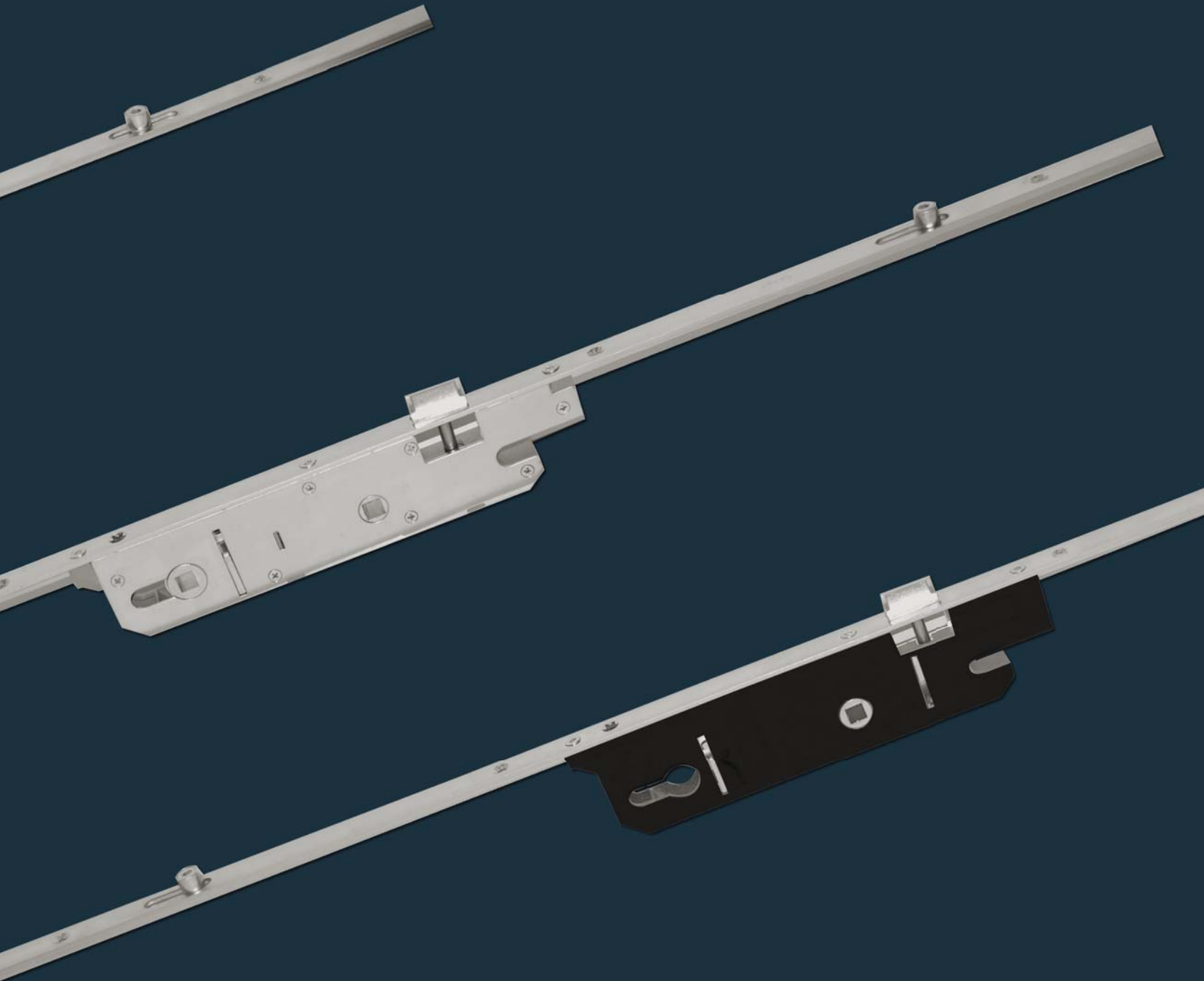
LEFT DOOR

- 1- Top Rail Cover is cutted as long as Top Rail's lenght and assembled to Top Rail.
- 2- Top rail side covers are fixed to Top Rail after assembly of Top Rail Cover.
- 3- Sash Connection Profile covers are assembled to profile.
- 4- Aluminium Rail Cover is assembled to Aluminium Rail Cover Holder.
- 5- As last step of assembly, roller covers are assembled to rollers and assembly process is finished.

Sash height adjustent can be done by unfastening the nut onto the roller by 19 key and by fastening or unfastening the hex screw by SW4 Hex Key.



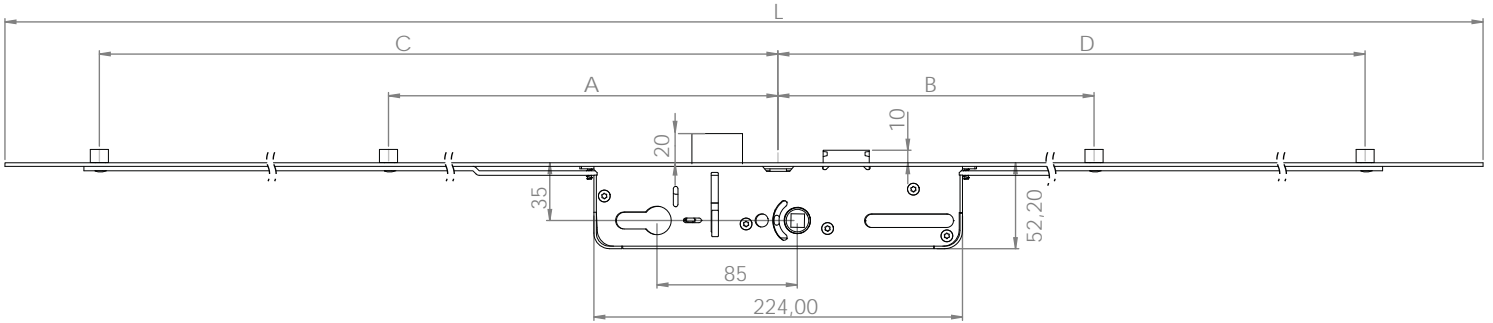




Multipoint Locks

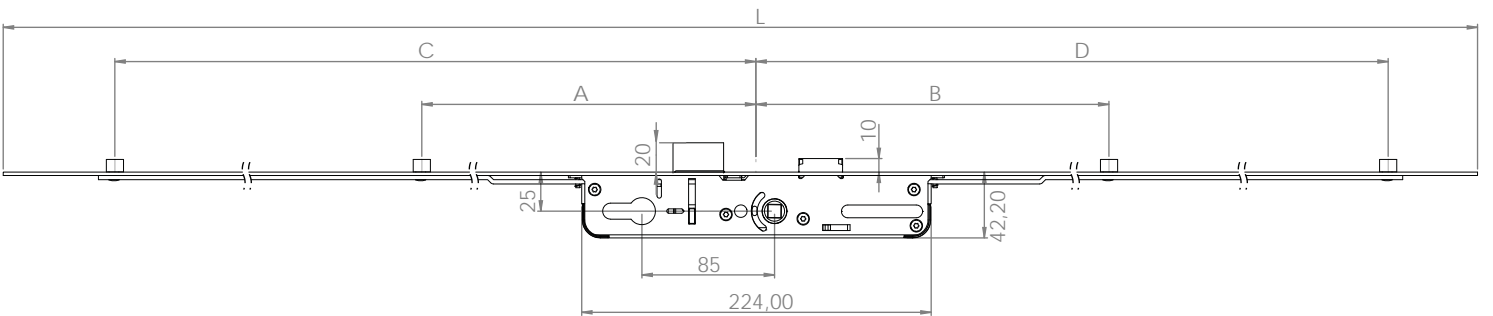
● Handle Operated

● PZ: 85 mm Backset: 35 mm (Deluxe Series - Metal Lock Case)



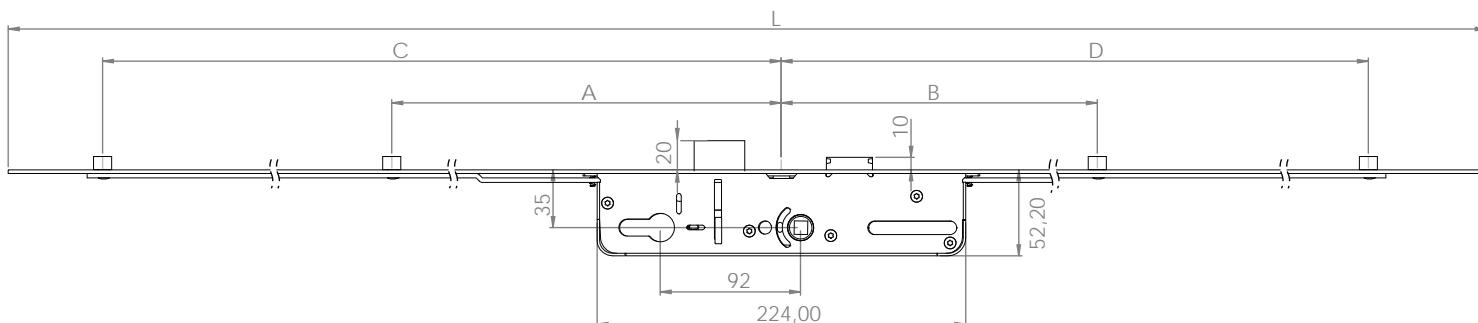
			L	A	B	C	D			Qty.		Kg
KI063	KIE063	X	1600	278	288	725	725	8	4	20		22,95
KI064	KIE064	X	1800	284	293	825	825	10	4	20		25,40
KI065	KIE065	X	2000	379	395	925	925	10	4	20		27,15
KI066	KIE066	✓	1600	278	288	725	725	8	4	20		23,55
KI067	KIE067	✓	1800	284	293	825	825	10	4	20		26,15
KI068	KIE068	✓	2000	379	395	925	925	10	4	20		27,40

● PZ: 85 mm Backset: 25 mm (Deluxe Series - Metal Lock Case)



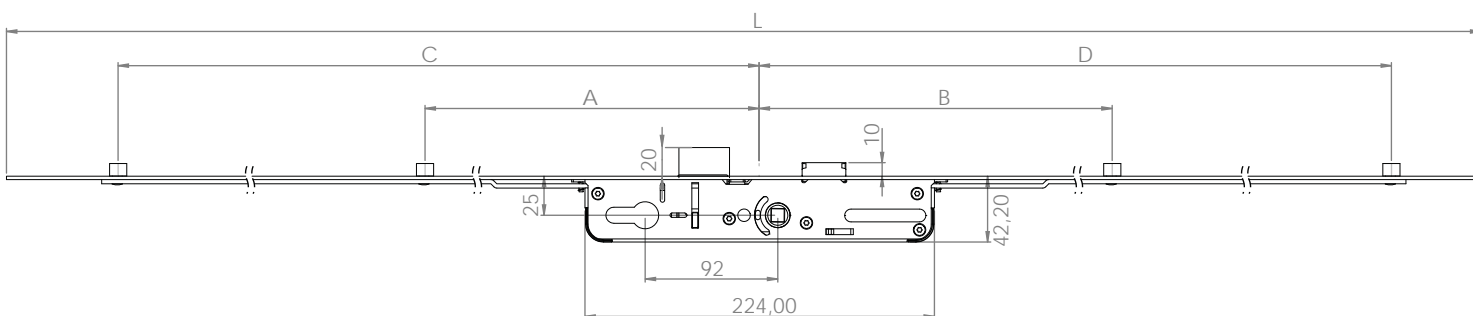
			L	A	B	C	D			Qty.		Kg
KI069	KIE069	X	1600	278	288	725	725	8	4	20		20,75
KI070	KIE070	X	1800	284	293	825	825	10	4	20		22,60
KI071	KIE071	X	2000	379	395	925	925	10	4	20		24,65
KI072	KIE072	✓	1600	278	288	725	725	8	4	20		23,55
KI073	KIE073	✓	1800	284	293	825	825	10	4	20		26,15
KI074	KIE074	✓	2000	379	395	925	925	10	4	20		27,40

PZ: 92 mm Backset: 35 mm (Deluxe Series - Metal Lock Case)



			L	A	B	C	D			Qty.		Kg
KI075	KIE075	X	1600	278	288	725	725	8	4	20	-	
KI076	KIE076	X	1800	284	293	825	825	10	4	20	-	
KI077	KIE077	X	2000	379	395	925	925	10	4	20	-	
KI078	KIE078	✓	1600	278	288	725	725	8	4	20	-	
KI079	KIE079	✓	1800	284	293	825	825	10	4	20	-	
KI080	KIE080	✓	2000	379	395	925	925	10	4	20	-	

PZ: 92 mm Backset: 25 mm (Deluxe Series - Metal Lock Case)

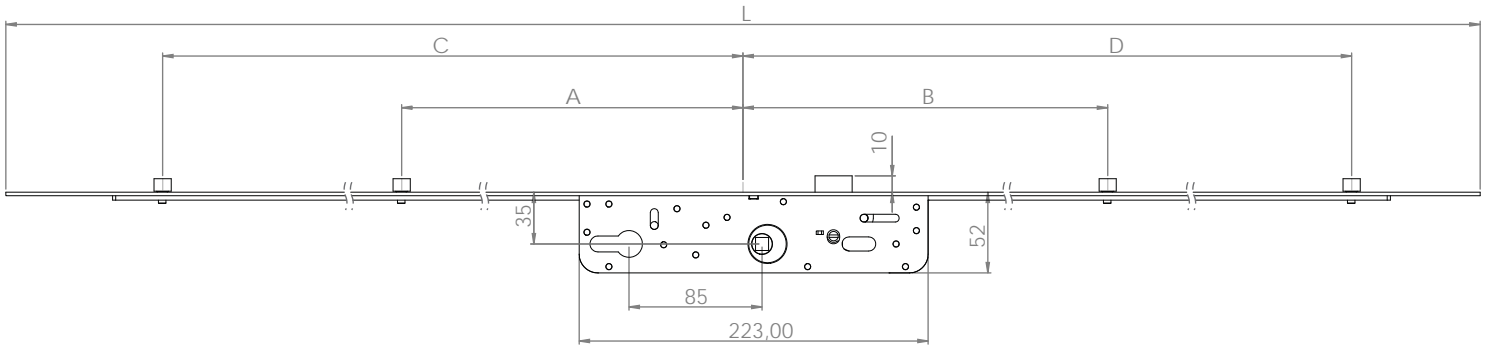


			L	A	B	C	D			Qty.		Kg
KI081	KIE081	X	1600	278	288	725	725	8	4	20	-	
KI082	KIE082	X	1800	284	293	825	825	10	4	20	-	
KI083	KIE083	X	2000	379	395	925	925	10	4	20	-	
KI084	KIE084	✓	1600	278	288	725	725	8	4	20	-	
KI085	KIE085	✓	1800	284	293	825	825	10	4	20	-	
KI086	KIE086	✓	2000	379	395	925	925	10	4	20	-	

Multipoint Locks

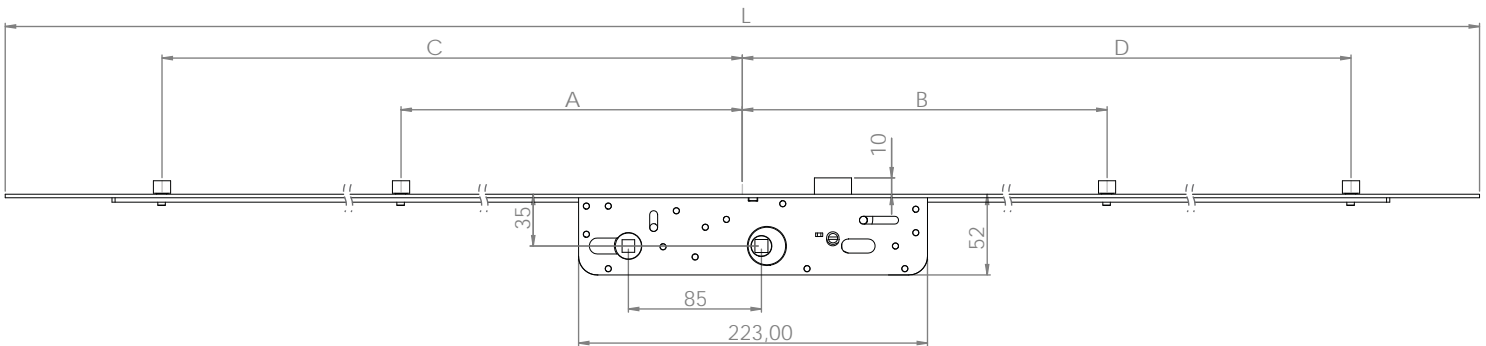
- Handle Operated

- PZ: 85 mm Backset: 35 mm (Akpen Series - Metal Lock Case)



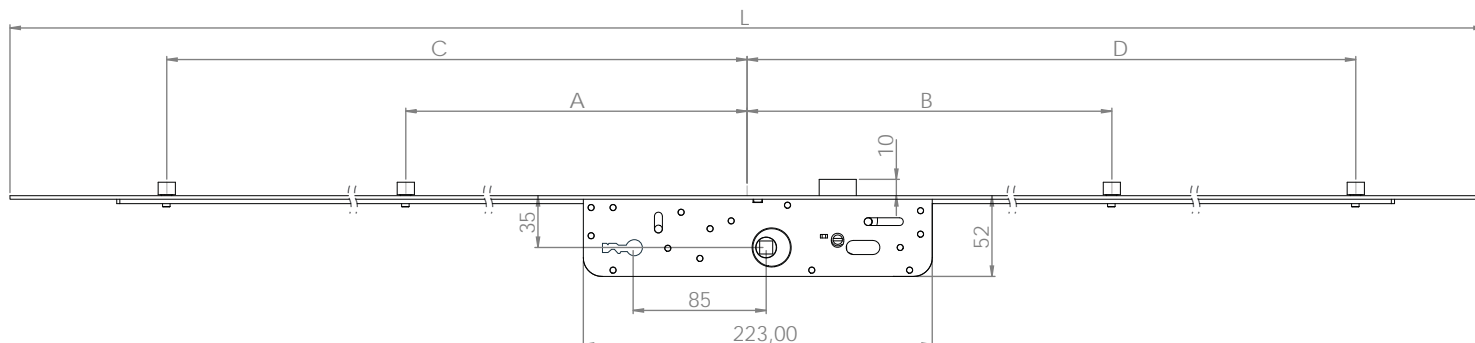
			L	A	B	C	D			Qty.		Kg
KI001	KIE001	X	1600	278	288	725	725	8	4	20		23,70
KI005	KIE005	X	1800	284	293	825	825	10	4	20		24,90
KI003	KIE003	X	2000	379	395	925	925	10	4	20		27,00

- PZ: 85 mm Backset: 35 mm - Balcony (Akpen Series - Metal Lock Case)



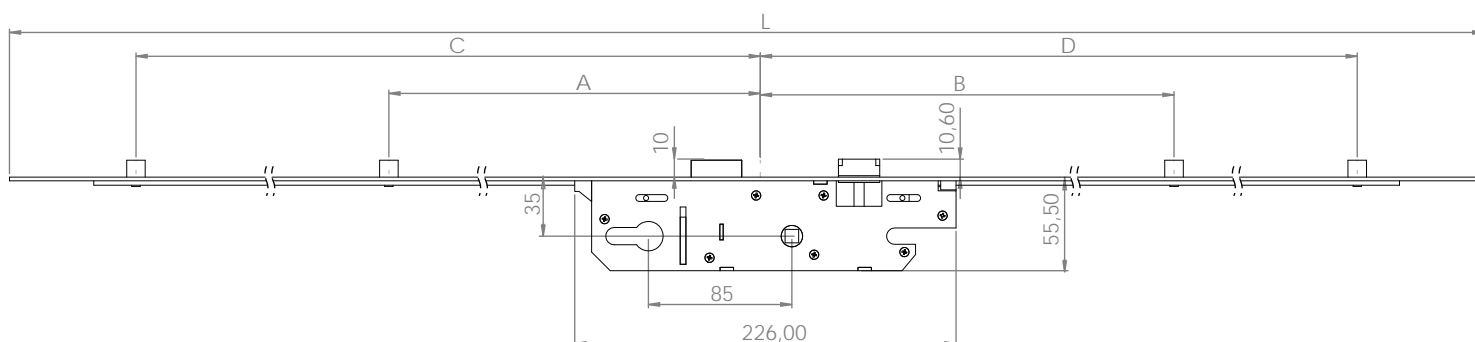
			L	A	B	C	D			Qty.		Kg
KI002	KIE002	X	1600	278	288	725	725	8	4	20		23,70
KI006	KIE006	X	1800	284	293	825	825	10	4	20		26,00
KI004	KIE004	X	2000	379	395	925	925	10	4	20		28,72

PZ: 85 mm Backset: 35 mm Room (Akpen Series - Metal Lock Case)



			L	A	B	C	D			Qty.	Kg
KI031	KIE031	X	1600	278	288	725	725	8	4	20	25,12
KI032	KIE032	X	1800	284	293	825	825	10	4	20	26,90
KI033	KIE033	X	2000	379	395	925	925	10	4	20	28,90

PZ: 85 mm Backset: 35 mm (Plastic Lock Case)

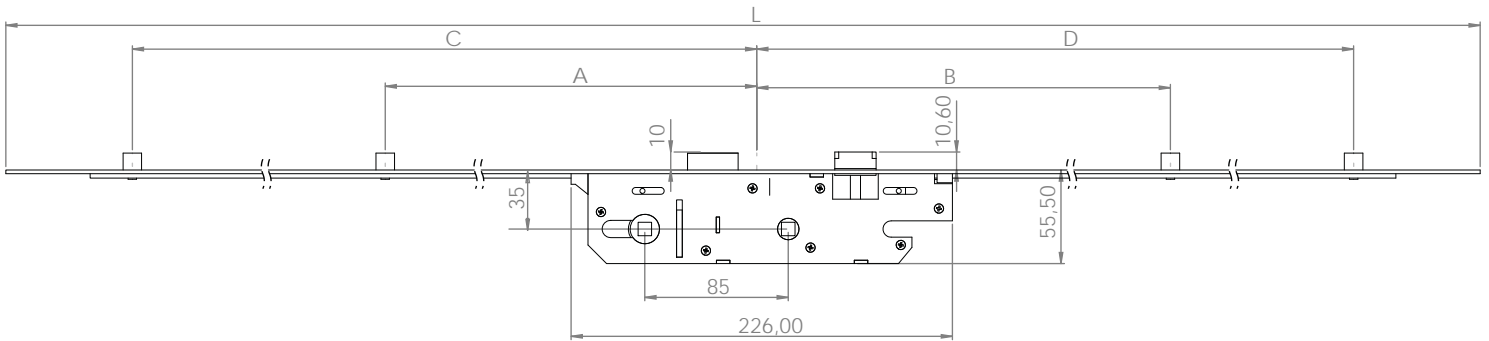


			L	A	B	C	D			Qty.	Kg
KI013	KIE013	X	1600	295	295	725	725	8	4	20	18,59
KI014	KIE014	X	1800	275	280	825	825	10	4	20	19,95
KI015	KIE015	X	2000	378	370	925	925	10	4	20	21,80
KI007	KIE007	✓	1600	295	295	725	725	8	4	20	21,30
KI008	KIE008	✓	1800	275	280	825	825	10	4	20	21,27
KI009	KIE009	✓	2000	378	370	925	925	10	4	20	23,70

Multipoint Locks

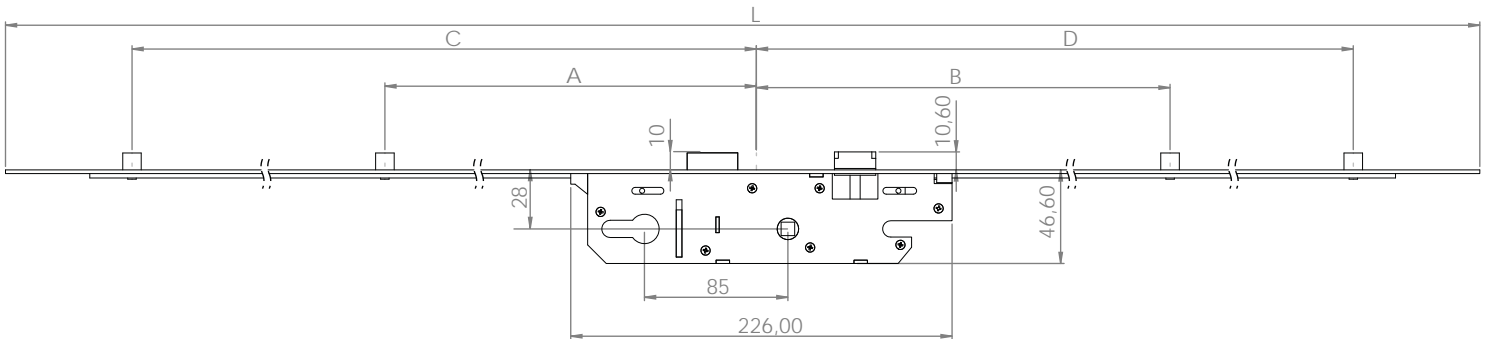
● Handle Operated

● PZ: 85 mm Backset: 35 mm - Balcony (Plastic Lock Case)



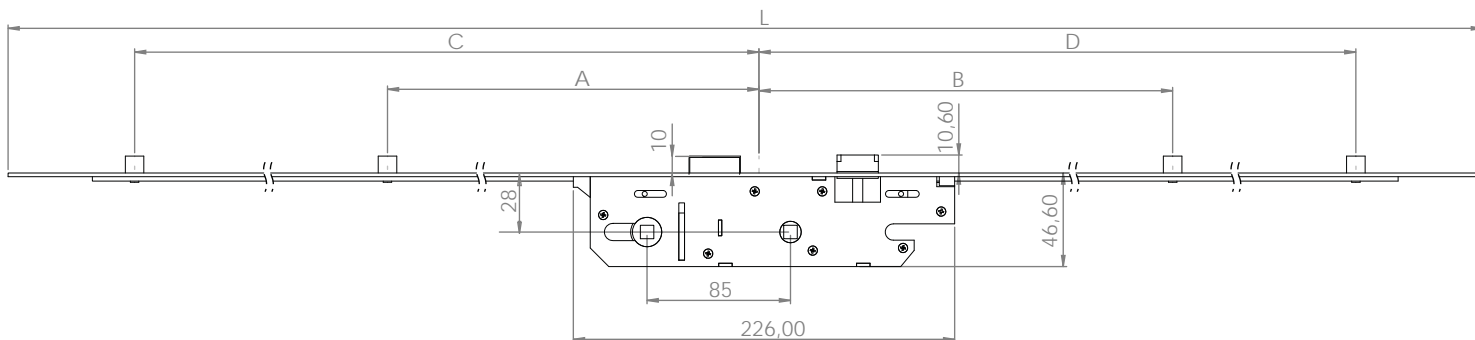
			L	A	B	C	D			Qty.		Kg
KI022	KIE022	X	1600	295	295	725	725	8	4	20		19,25
KI023	KIE023	X	1800	275	280	825	825	10	4	20		21,60
KI024	KIE024	X	2000	378	370	925	925	10	4	20		23,40
KI010	KIE010	✓	1600	295	295	725	725	8	4	20		21,74
KI011	KIE011	✓	1800	275	280	825	825	10	4	20		21,80
KI012	KIE012	✓	2000	378	370	925	925	10	4	20		23,10

● PZ: 85 mm Backset: 28 mm (Plastic Lock Case)



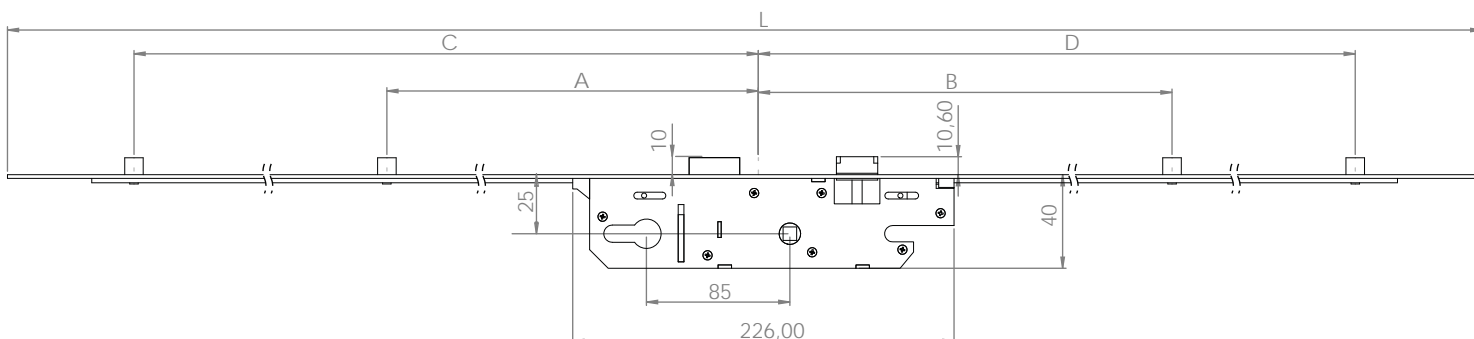
			L	A	B	C	D			Qty.		Kg
KI016	KIE016	X	1600	295	295	725	725	8	4	20		16,85
KI017	KIE017	X	1800	275	280	825	825	10	4	20		20,05
KI018	KIE018	X	2000	378	370	925	925	10	4	20		21,35
KI025	KIE025	✓	1600	295	295	725	725	8	4	20		20,06
KI026	KIE026	✓	1800	275	280	825	825	10	4	20		21,74
KI027	KIE027	✓	2000	378	370	925	925	10	4	20		23,76

PZ: 85 mm Backset: 28 mm - Balcony (Plastic Lock Case)



			L	A	B	C	D			Qty.		Kg
KI019	KIE019	X	1600	295	295	725	725	8	4	20		18,50
KI020	KIE020	X	1800	275	280	825	825	10	4	20		20,80
KI021	KIE021	X	2000	378	370	925	925	10	4	20		21,77
KI028	KIE028	✓	1600	295	295	725	725	8	4	20		20,50
KI029	KIE029	✓	1800	275	280	825	825	10	4	20		21,80
KI030	KIE030	✓	2000	378	370	925	925	10	4	20		24,24

PZ: 85 mm Backset: 25 mm (Plastic Lock Case)

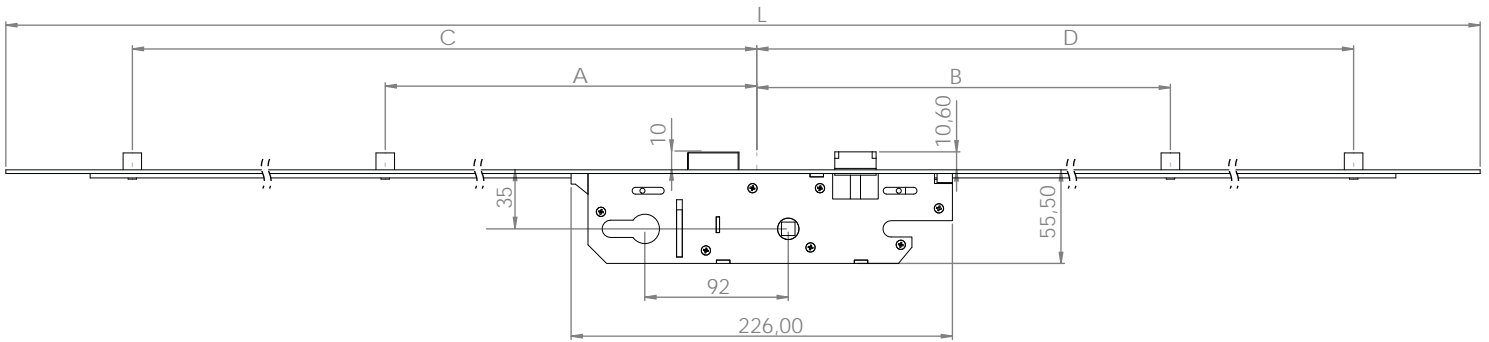


			L	A	B	C	D			Qty.		Kg
KI034	KIE034	X	1600	295	295	725	725	8	4	20		18,00
KI035	KIE035	X	1800	275	280	825	825	10	4	20		19,30
KI036	KIE036	X	2000	378	370	925	925	10	4	20		20,60
KI043	KIE043	✓	1600	295	295	725	725	8	4	20		18,50
KI044	KIE044	✓	1800	275	280	825	825	10	4	20		19,95
KI045	KIE045	✓	2000	378	370	925	925	10	4	20		21,60

Multipoint Locks

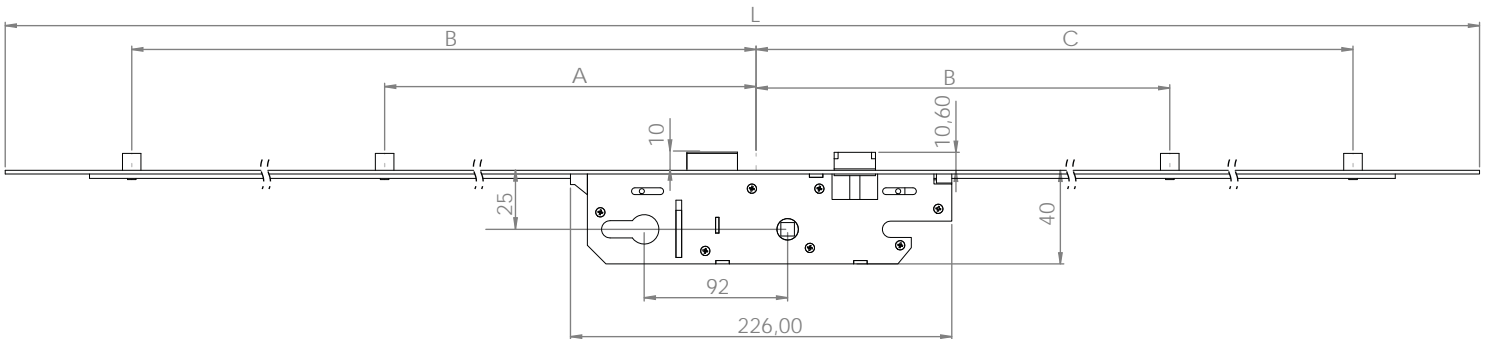
● Handle Operated

● PZ: 92 mm Backset: 35 mm (Plastic Lock Case)



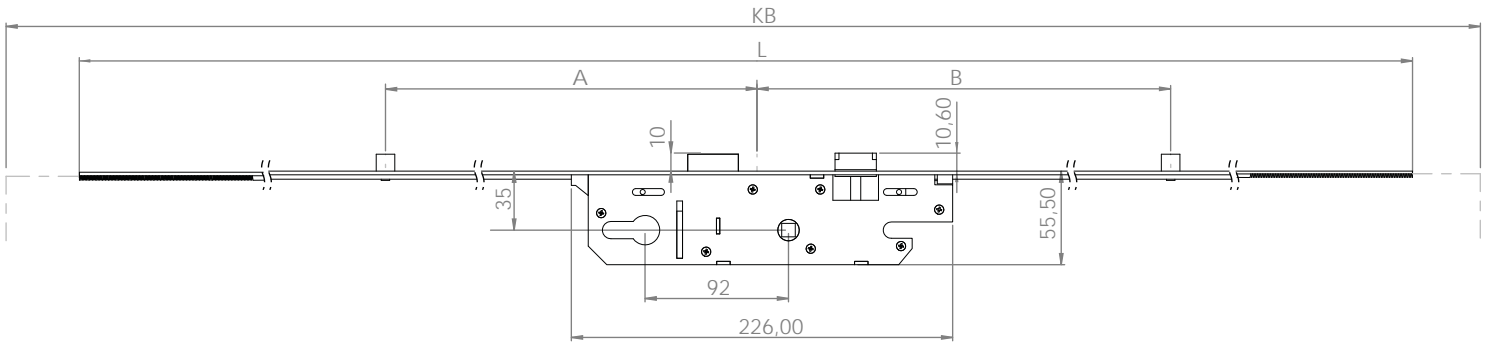
			L	A	B	C	D			Qty.		Kg
KI037	KIE037	X	1600	295	295	725	725	8	4	20		22,95
KI038	KIE038	X	1800	275	280	825	825	10	4	20		25,40
KI039	KIE039	X	2000	378	370	925	925	10	4	20		27,15
KI046	KIE046	✓	1600	295	295	725	725	8	4	20		23,55
KI047	KIE047	✓	1800	275	280	825	825	10	4	20		26,15
KI048	KIE048	✓	2000	378	370	925	925	10	4	20		27,40

● PZ: 92 mm Backset: 25 mm (Plastic Lock Case)



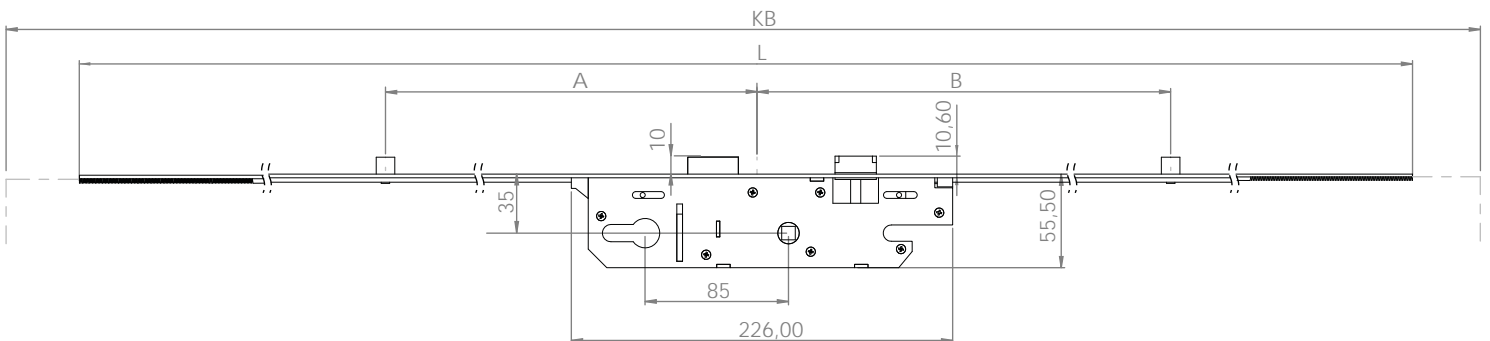
			L	A	B	C	D			Qty.		Kg
KI040	KIE040	X	1600	295	295	725	725	8	4	20		18,00
KI041	KIE041	X	1800	275	280	825	825	10	4	20		20,00
KI042	KIE042	X	2000	378	370	925	925	10	4	20		22,00
KI049	KIE049	✓	1600	295	295	725	725	8	4	20		18,20
KI050	KIE050	✓	1800	275	280	825	825	10	4	20		19,87
KI051	KIE051	✓	2000	378	370	925	925	10	4	20		21,70

PZ: 92 mm Backset: 35 mm Cuttable (Plastic Lock Case)



			KB	L	A	B			Qty.		Kg
KI059	KIE059	X	1700 - 2200	1900	348	340	6	2	20		23,00
KI060	KIE060	✓	1700 - 2200	1900	348	340	6	2	20		23,00

PZ: 85 mm Backset: 35 mm Cuttable (Plastic Lock Case)

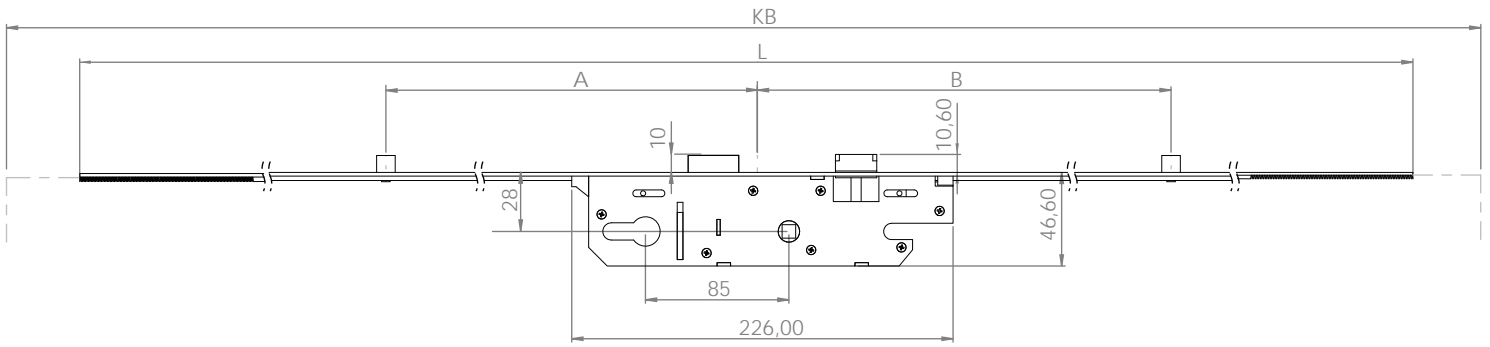


			KB	L	A	B			Qty.		Kg
KI053	KIE053	X	1700 - 2200	1900	348	340	6	2	20		21,35
KI054	KIE054	✓	1700 - 2200	1900	348	340	6	2	20		22,70

Multipoint Locks

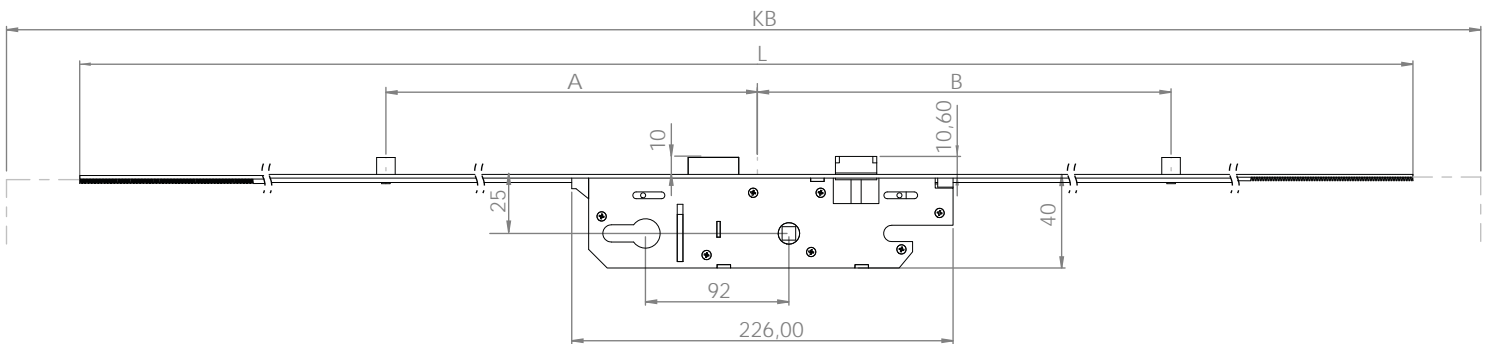
- Handle Operated

- PZ: 85 mm Backset: 28 mm Cuttable (Plastic Lock Case)



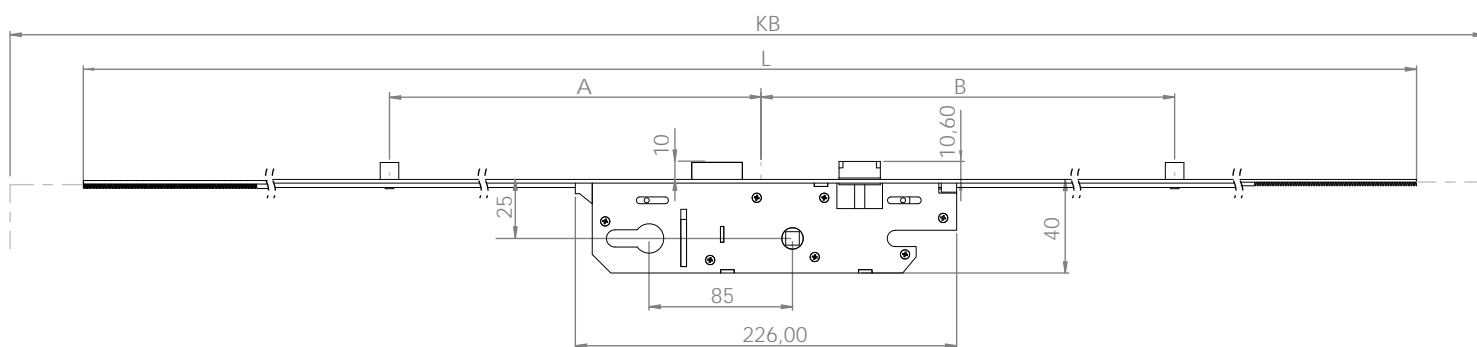
			KB	L	A	B			Qty.		Kg
KI055	KIE055	X	1700 - 2200	1900	348	340	6	2	20		20,98
KI056	KIE056	✓	1700 - 2200	1900	348	340	6	2	20		20,98

- PZ: 92 mm Backset: 25 mm Cuttable (Plastic Lock Case)



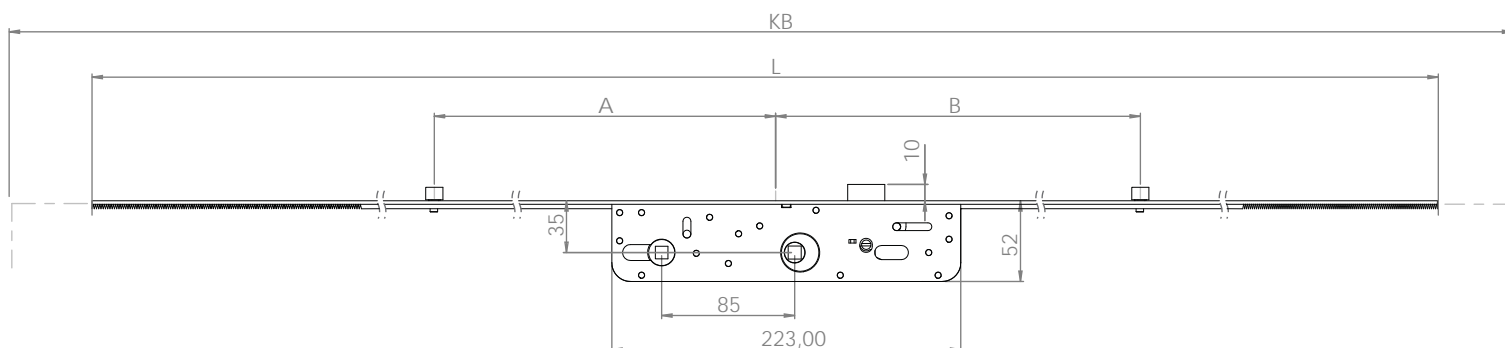
			KB	L	A	B			Qty.		Kg
KI061	KIE061	X	1700 - 2200	1900	348	340	6	2	20		21,55
KI062	KIE062	✓	1700 - 2200	1900	348	340	6	2	20		21,55

PZ: 85 mm Backset: 25 mm Cuttable (Plastic Lock Case)



			KB	L	A	B			Qty.		Kg
KI057	KIE057	X	1700 - 2200	1900	348	340	6	2	20		20,55
KI058	KIE058	✓	1700 - 2200	1900	348	340	6	2	20		20,55

PZ: 85 mm Backset: 35 mm Cuttable (Metal Lock Case)



			KB	L	A	B			Qty.		Kg
KI052	KIE052	X	1700 - 2200	1900	348	340	6	2	20		26,45

Turn - Only Sytems

- Espagnolettes

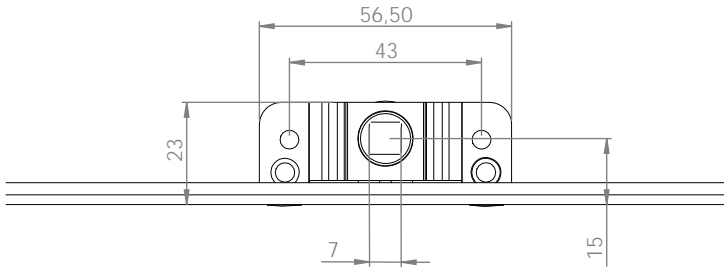




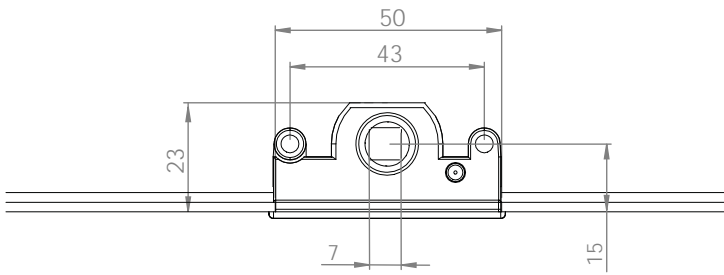
Turn - Only Systems

● Lock Case Types Espagnolettes

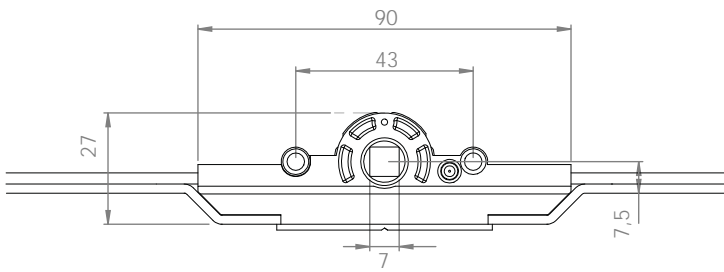
● 15 mm Backset Espagnolette



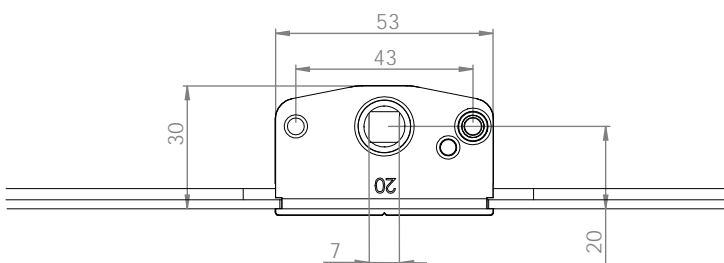
● 15 mm Backset Espagnolette



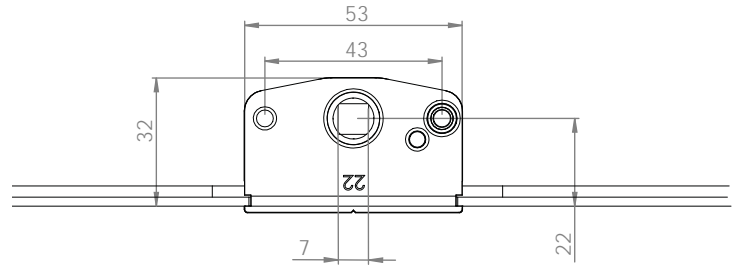
● 7,5 mm Backset Espagnolette



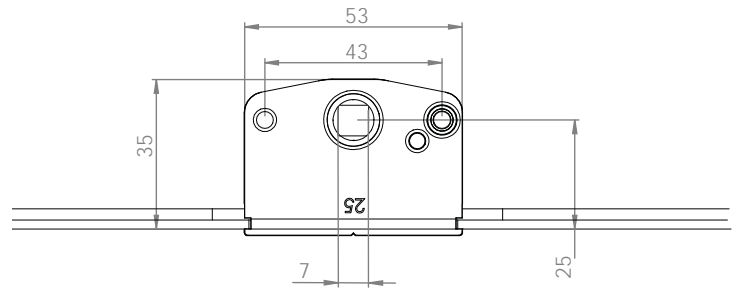
● 20 mm Backset Espagnolette



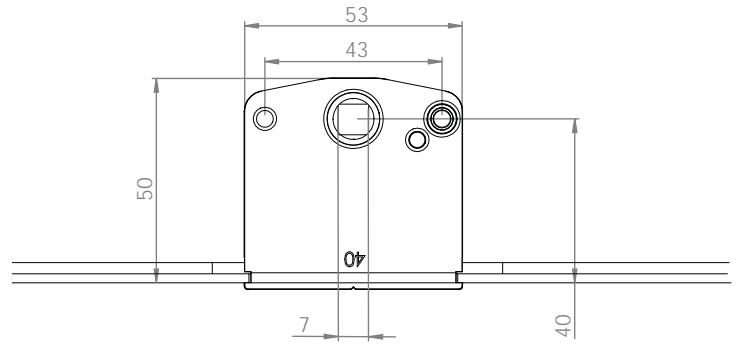
● 22 mm Backset Espagnolette



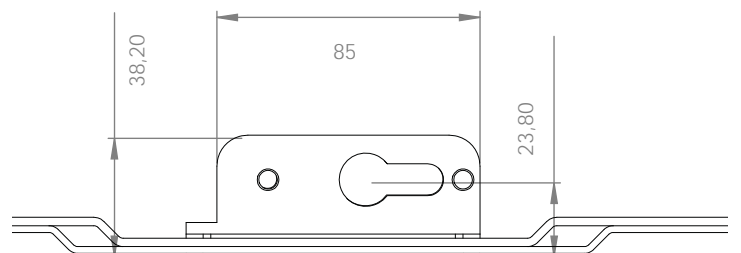
● 25 mm Backset Espagnolette



● 40 mm Backset Espagnolette

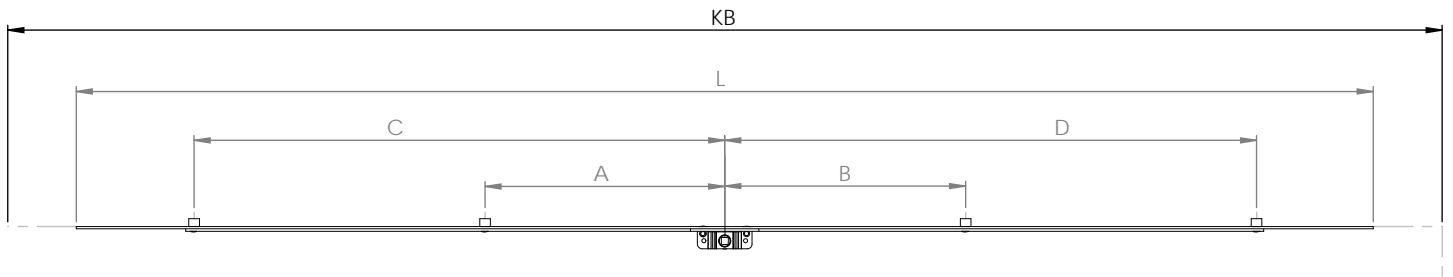


● Lockable Espagnolette



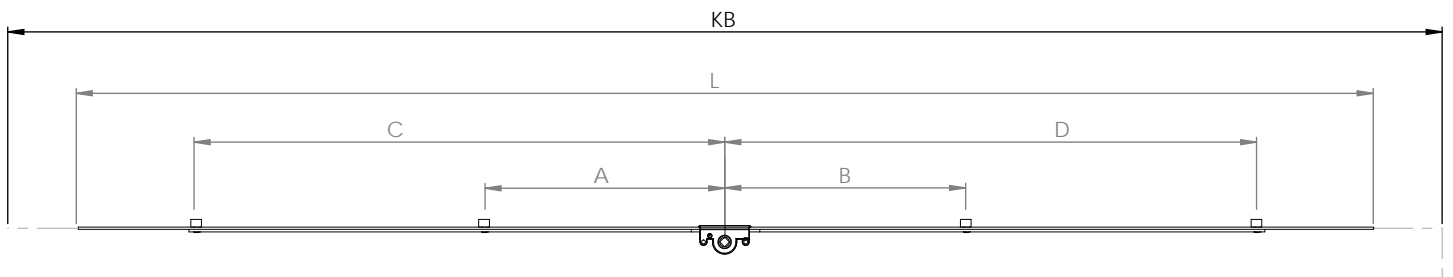
15 mm Backset Steel Lock Case Espagnolettes ●

15 mm Backset Steel Lock Case Espagnolettes ●



		KB	L	A	B	C	D			Qty.		Kg
IC 010	IEC 010	300 - 400	300	93	93	-	-	4	2	20		2,88
IC 001	IEC 001	400 - 600	400	143	143	-	-	4	2	20		3,78
IC 002	IEC 002	600 - 800	600	179	179	-	-	6	2	20		5,40
IC 003	IEC 003	800 - 1000	800	279	279	-	-	6	2	20		6,05
IC 004	IEC 004	1000 - 1200	1000	98	-	379	379	9	3	20		8,75
IC 005	IEC 005	1200 - 1400	1200	98	-	479	479	9	3	20		10,52
IC 006	IEC 006	1400 - 1600	1400	98	-	579	579	9	3	20		12,35
IC 007	IEC 007	1600 - 1800	1600	248	248	679	679	11	4	20		14,15
IC 008	IEC 008	1800 - 2000	1800	281	281	779	779	11	4	20		15,85
IC 009	IEC 009	2000 - 2200	2000	316	316	879	879	14	4	20		17,90

15 mm Backset Zinc Lock Case Espagnolettes ●

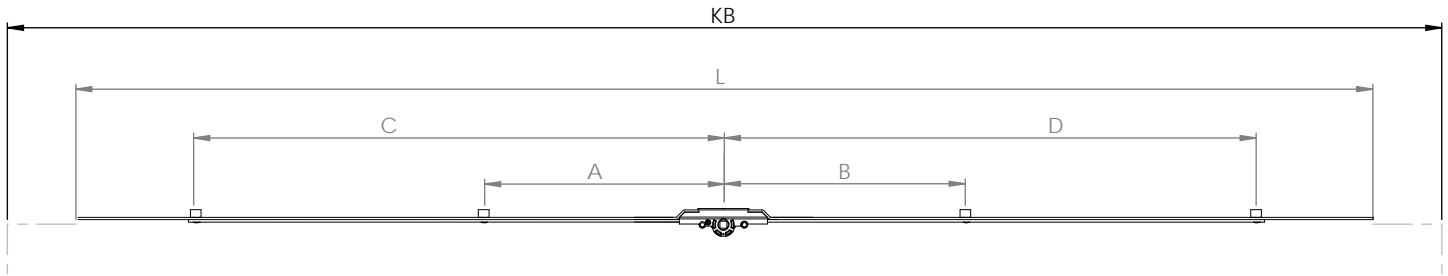


		KB	L	A	B	C	D			Qty.		Kg
ID 010	IED 010	300 - 400	300	93	93	-	-	4	2	20		3,08
ID 001	IED 001	400 - 600	400	143	143	-	-	4	2	20		4,05
ID 002	IED 002	600 - 800	600	179	179	-	-	6	2	20		5,70
ID 003	IED 003	800 - 1000	800	279	279	-	-	6	2	20		7,52
ID 004	IED 004	1000 - 1200	1000	98	-	379	379	9	3	20		8,60
ID 005	IED 005	1200 - 1400	1200	98	-	479	479	9	3	20		10,56
ID 006	IED 006	1400 - 1600	1400	98	-	579	579	9	3	20		12,75
ID 007	IED 007	1600 - 1800	1600	248	248	679	679	11	4	20		14,40
ID 008	IED 008	1800 - 2000	1800	281	281	779	779	11	4	20		16,10
ID 009	IED 009	2000 - 2200	2000	316	316	879	879	14	4	20		18,32

Turn - Only Systems

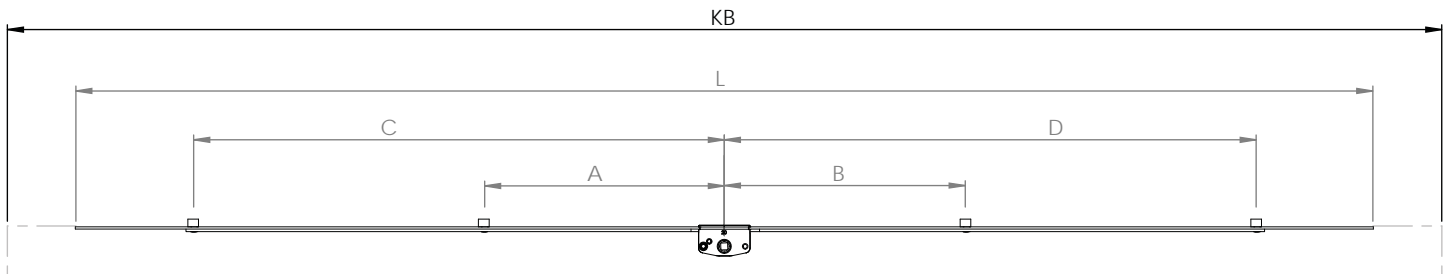
● Espagnolettes

● 7,5 mm Backset Espagnolettes



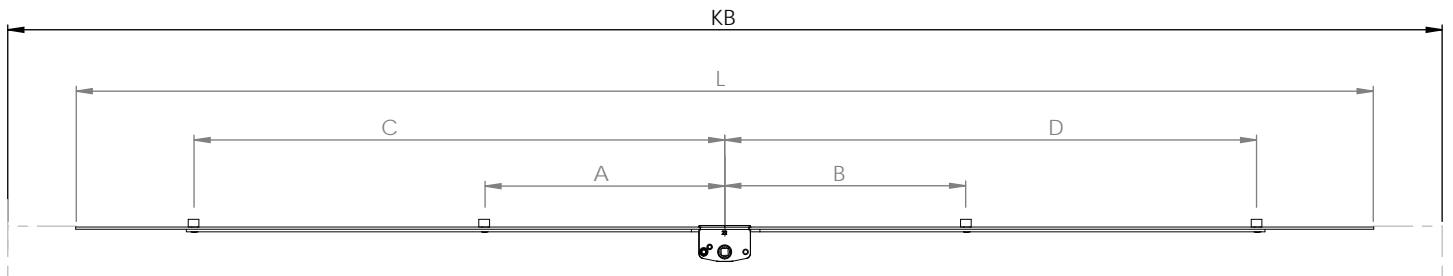
		KB	L	A	B	C	D			Qty.	Kg
IG 009	IEG009	400 - 600	400	143	143	-	-	4	2	50	11,55
IG 001	IEG001	600 - 800	600	179	179	-	-	6	2	50	14,50
IG 002	IEG002	800 - 1000	800	279	279	-	-	6	2	50	19,15
IG 003	IEG003	1000 - 1200	1000	98	-	379	379	9	3	50	23,60
IG 004	IEG004	1200 - 1400	1200	98	-	479	479	9	3	50	27,65
IG 005	IEG005	1400 - 1600	1400	98	-	579	579	9	3	50	19,75
IG 006	IEG006	1600 - 1800	1600	248	248	679	679	11	4	50	22,35
IG 007	IEG007	1800 - 2000	1800	281	281	779	779	11	4	50	24,35
IG 008	IEG008	2000 - 2200	2000	316	316	879	879	14	4	50	28,30

● 20 mm Backset Espagnolettes



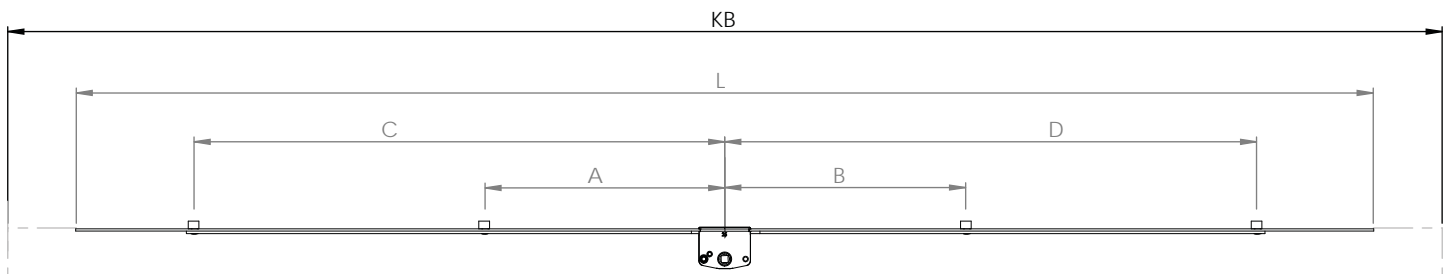
		KB	L	A	B	C	D			Qty.	Kg
GG031	GGE031	300 - 400	300	93	93	-	-	4	2	20	-
GG032	GGE032	400 - 600	400	143	143	-	-	4	2	20	-
GG033	GGE033	600 - 800	600	179	179	-	-	6	2	20	-
GG034	GGE034	800 - 1000	800	279	279	-	-	6	2	20	-
GG035	GGE035	1000 - 1200	1000	-	98	379	379	9	3	20	-
GG036	GGE036	1200 - 1400	1200	-	98	479	479	9	3	20	-
GG037	GGE037	1400 - 1600	1400	-	98	579	579	9	3	20	-
GG038	GGE038	1600 - 1800	1600	248	248	679	679	11	4	20	-
GG039	GGE039	1800 - 2000	1800	281	281	779	779	11	4	20	-
GG040	GGE040	2000 - 2200	2000	316	316	879	879	14	4	20	-

22 mm Backset Espagnolettes ●



		KB	L	A	B	C	D			Qty.		Kg
GG021	GGE021	300 - 400	300	93	93	-	-	4	2	10		1,77
GG022	GGE022	400 - 600	400	143	143	-	-	4	2	10		2,23
GG023	GGE023	600 - 800	600	179	179	-	-	6	2	10		2,90
GG024	GGE024	800 - 1000	800	279	279	-	-	6	2	10		3,85
GG025	GGE025	1000 - 1200	1000	98	-	379	379	9	3	10		4,67
GG026	GGE026	1200 - 1400	1200	98	-	479	479	9	3	10		5,42
GG027	GGE027	1400 - 1600	1400	98	-	579	579	9	3	25		16,72
GG028	GGE028	1600 - 1800	1600	248	248	679	679	11	4	25		18,75
GG029	GGE029	1800 - 2000	1800	281	281	779	779	11	4	25		21,00
GG030	GGE030	2000 - 2200	2000	316	316	879	879	14	4	25		23,00

25 mm Backset Espagnolettes ●

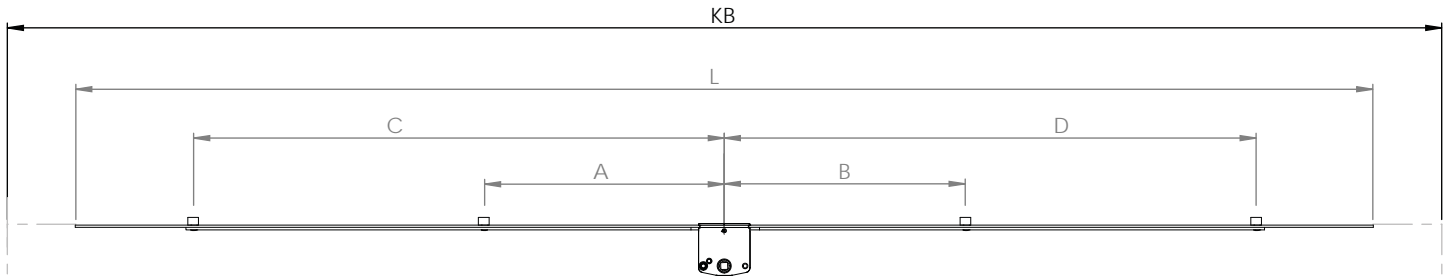


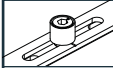
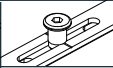



		KB	L	A	B	C	D			Qty.		Kg
GG007	GGE007	300 - 400	300	93	93	-	-	4	2	10		1,85
GG008	GGE008	400 - 600	400	143	143	-	-	4	2	10		2,25
GG009	GGE009	600 - 800	600	179	179	-	-	6	2	10		3,15
GG010	GGE010	800 - 1000	800	279	279	-	-	6	2	10		3,98
GG011	GGE011	1000 - 1200	1000	98	-	379	379	9	3	10		4,85
GG012	GGE012	1200 - 1400	1200	98	-	479	479	9	3	10		5,60
GG013	GGE013	1400 - 1600	1400	98	-	579	579	9	3	25		17,05
GG004	GGE004	1600 - 1800	1600	248	248	679	679	11	4	25		19,05
GG005	GGE005	1800 - 2000	1800	281	281	779	779	11	4	25		21,80
GG006	GGE006	2000 - 2200	2000	316	316	879	879	14	4	25		23,85

Turn - Only Systems

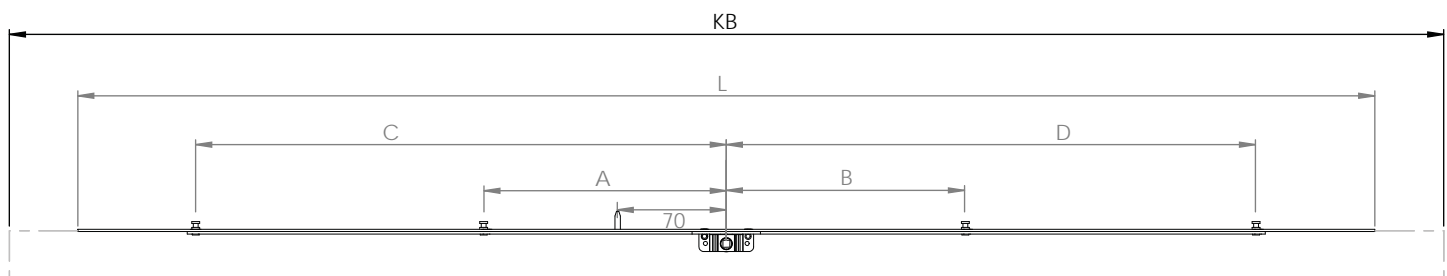
● Espagnolettes

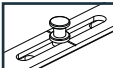
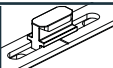

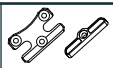

● 40 mm Backset Espagnolettes



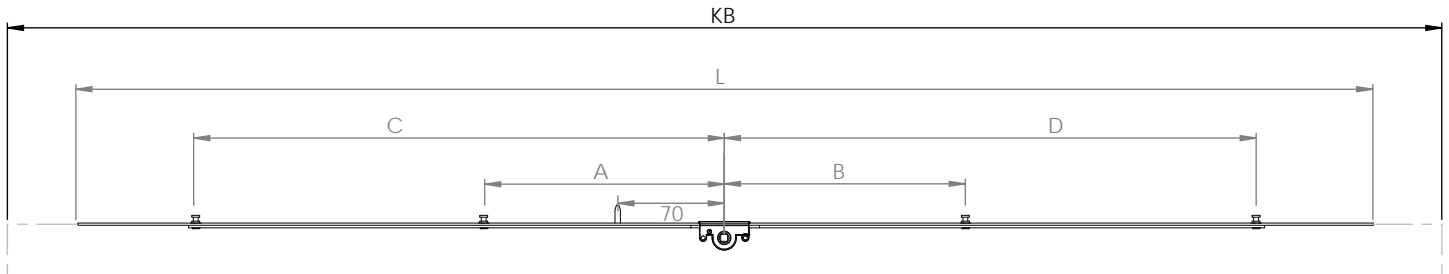
		KB	L	A	B	C	D			Qty.		Kg
GG014	GGE014	300 - 400	300	93	93	-	-	4	2	10		
GG015	GGE015	400 - 600	400	143	143	-	-	4	2	10		
GG016	GGE016	600 - 800	600	179	179	-	-	6	2	10		
GG017	GGE017	800 - 1000	800	279	279	-	-	6	2	10		
GG018	GGE018	1000 - 1200	1000	98	-	379	379	9	3	10		5,10
GG019	GGE019	1200 - 1400	1200	98	-	479	479	9	3	10		6,00
GG020	GGE020	1400 - 1600	1400	98	-	579	579	9	3	20		14,35
GG001	GGE001	1600 - 1800	1600	248	248	679	679	11	4	20		16,35
GG002	GGE002	1800 - 2000	1800	281	281	779	779	11	4	20		18,20
GG003	GGE003	2000 - 2200	2000	316	316	879	879	14	4	20		19,80

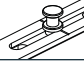
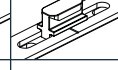

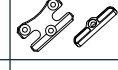

● 15 mm Backset Steel Lock Sliding Espagnolettes



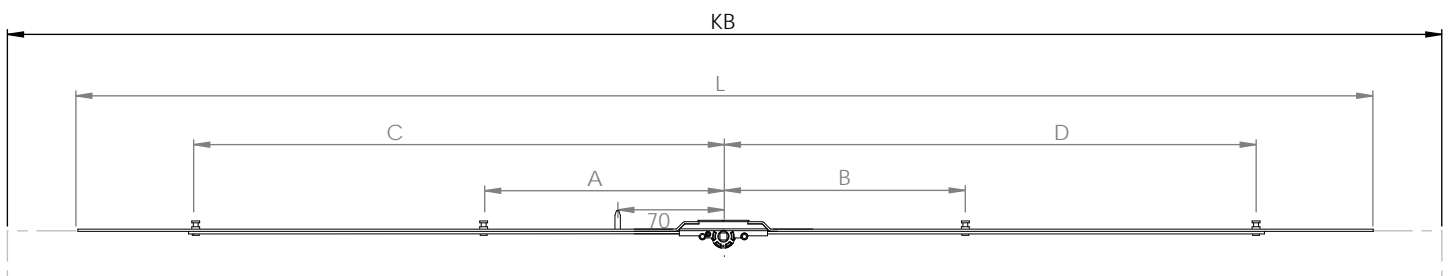
		KB	L	A	B	C	D			Qty.		Kg
ICS001	ICS011	300 - 400	300	93	93	-	-	4	2	20		2,88
ICS002	ICS012	400 - 600	400	143	143	-	-	4	2	20		3,78
ICS003	ICS013	600 - 800	600	179	179	-	-	6	2	20		5,40
ICS004	ICS014	800 - 1000	800	279	279	-	-	6	2	20		7,20
ICS005	ICS015	1000 - 1200	1000	98	-	379	379	9	3	20		8,75
ICS006	ICS016	1200 - 1400	1200	98	-	479	479	9	3	20		10,52
ICS007	ICS017	1400 - 1600	1400	98	-	579	579	9	3	20		12,35
ICS008	ICS018	1600 - 1800	1600	248	248	679	679	11	4	20		14,15
ICS009	ICS019	1800 - 2000	1800	281	281	779	779	11	4	20		15,85
ICS010	ICS020	2000 - 2200	2000	316	316	879	879	14	4	20		17,90

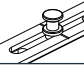
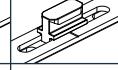

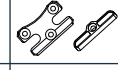

15 mm Backset Zinc Lock Sliding Espagnolettes ●



		KB	L	A	B	C	D			Qty.		Kg
IDS001	IDS011	300 - 400	300	93	93	-	-	4	2	20		3,08
IDS002	IDS012	400 - 600	400	143	143	-	-	4	2	20		4,05
IDS003	IDS013	600 - 800	600	179	179	-	-	6	2	20		5,70
IDS004	IDS014	800 - 1000	800	279	279	-	-	6	2	20		7,52
IDS005	IDS015	1000 - 1200	1000	98	-	379	379	9	3	20		8,60
IDS006	IDS016	1200 - 1400	1200	98	-	479	479	9	3	20		10,56
IDS007	IDS017	1400 - 1600	1400	98	-	579	579	9	3	20		12,75
IDS008	IDS018	1600 - 1800	1600	248	248	679	679	11	4	20		14,40
IDS009	IDS019	1800 - 2000	1800	281	281	779	779	11	4	20		16,10
IDS010	IDS020	2000 - 2200	2000	316	316	879	879	14	4	20		18,3

7,5 mm Backset Sliding Espagnolettes ●

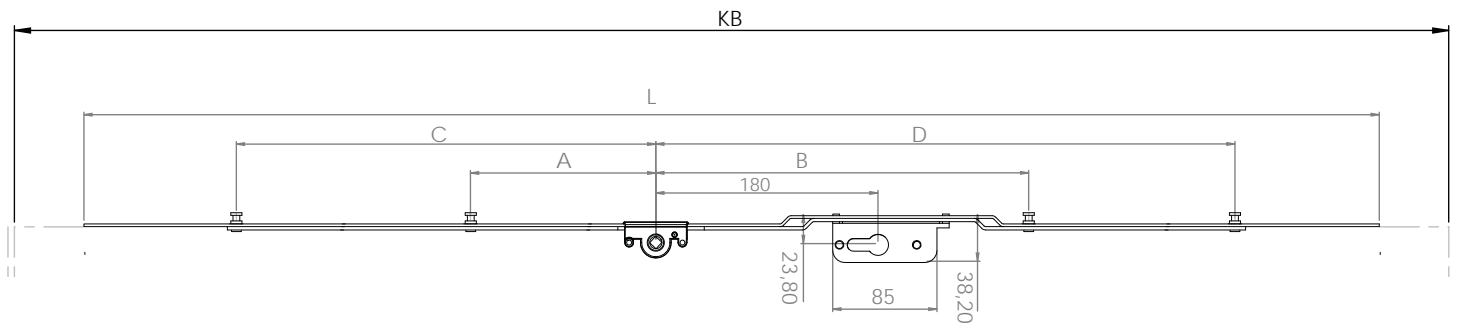


		KB	L	A	B	C	D			Qty.		Kg
IGS010	IGS020	300 - 400	300	93	93	-	-	4	2	20		-
IGS001	IGS011	400 - 600	400	143	143	-	-	4	2	20		-
IGS002	IGS012	600 - 800	600	179	179	-	-	6	2	20		-
IGS003	IGS013	800 - 1000	800	279	279	-	-	6	2	20		-
IGS004	IGS014	1000 - 1200	1000	98	-	379	379	9	3	20		-
IGS005	IGS015	1200 - 1400	1200	98	-	479	479	9	3	20		-
IGS006	IGS016	1400 - 1600	1400	98	-	579	579	9	3	20		-
IGS007	IGS017	1600 - 1800	1600	248	248	679	679	11	4	20		-
IGS008	IGS018	1800 - 2000	1800	281	281	779	779	11	4	20		-
IGS009	IGS019	2000 - 2200	2000	316	316	879	879	14	4	20		-

Turn - Only Systems

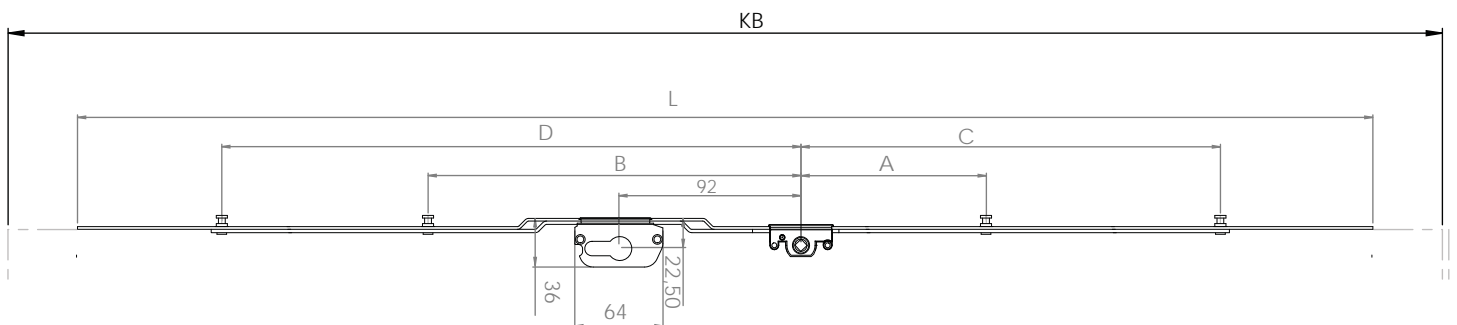
Espagnolettes

15 mm Backset Lockable Sliding Espagnolettes



		KB	L	A	B	C	D			Qty.		Kg
KSI001	KSI004	1600 - 1800	1600	248	341	679	679	11	4	20	-	
KSI002	KSI005	1800 - 2000	1800	281	341	779	779	11	4	20	-	
KSI003	KSI006	2000 - 2200	2000	316	341	879	879	14	4	20	-	

15 mm Backset Lockable Sliding Espagnolettes



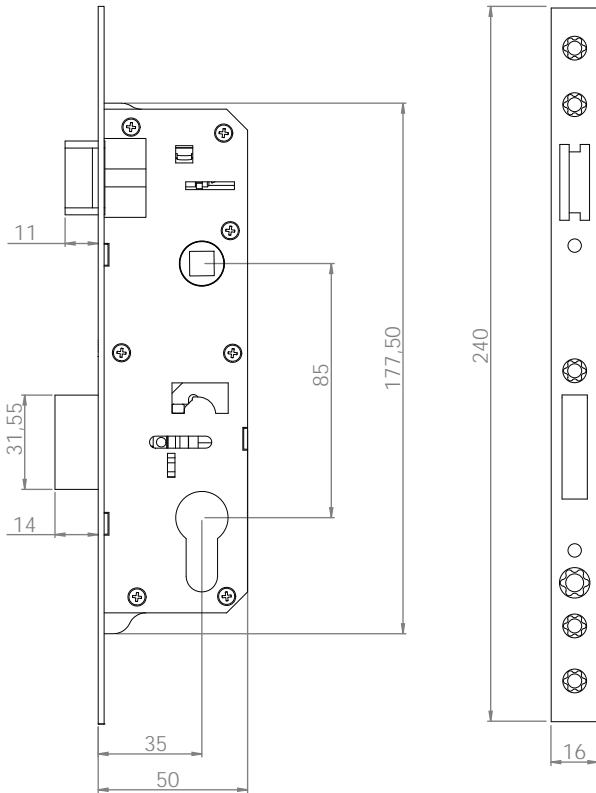
		KB	L	A	B	C	D			Qty.		Kg
KSI007	KSI010	1600 - 1800	1600	248	341	679	679	11	4	20	-	
KSI008	KSI011	1800 - 2000	1800	281	341	779	779	11	4	20	-	
KSI009	KSI012	2000 - 2200	2000	316	341	879	879	14	4	20	-	





Mortice Locks

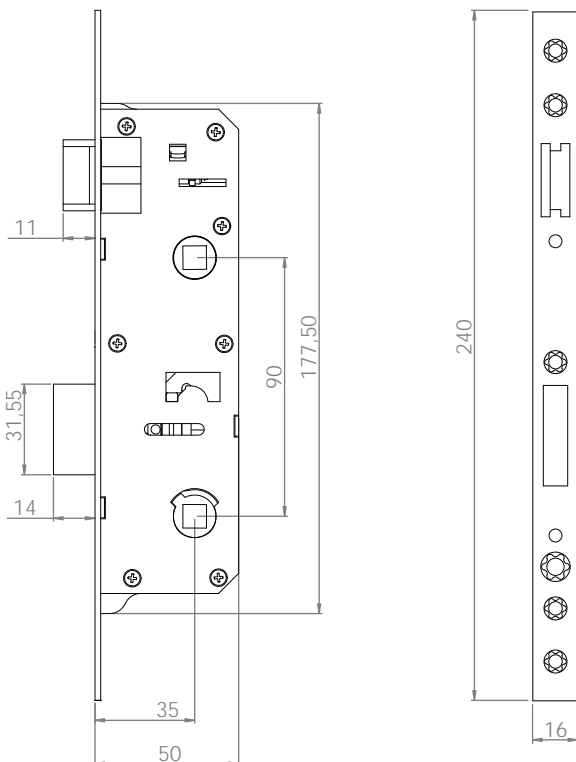
- Plastic Lock Case - Metal Cover Locks



- PZ: 85 mm Backset: 35 mm (Cylindrical)



	Qty. 	Kg
KIL001	40	11,05




- PZ: 90 mm Backset: 35 mm (WC / Bathroom)

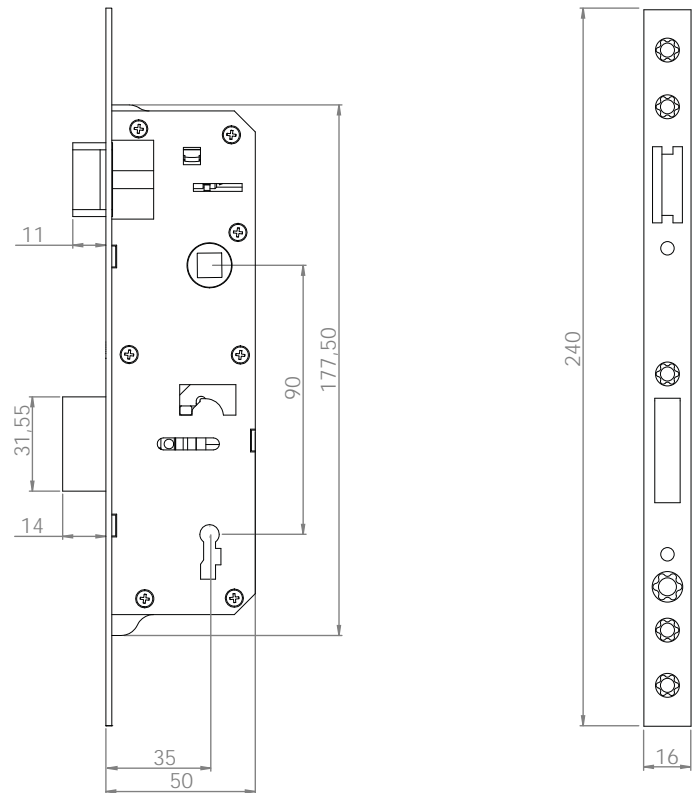


	Qty. 	Kg
KIL002	40	11,70




Plastic Lock Case - Metal Cover Locks

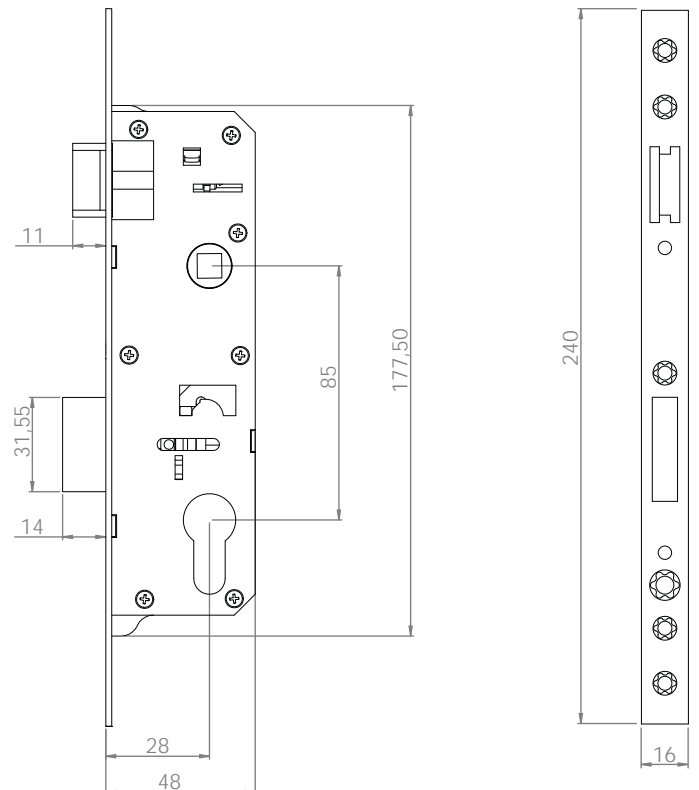
PZ: 90 mm Backset: 35 mm (Room)

	 Qty.	 Kg
KIL003	40	14,30



PZ: 85 mm Backset: 28 mm (Cylindrical)

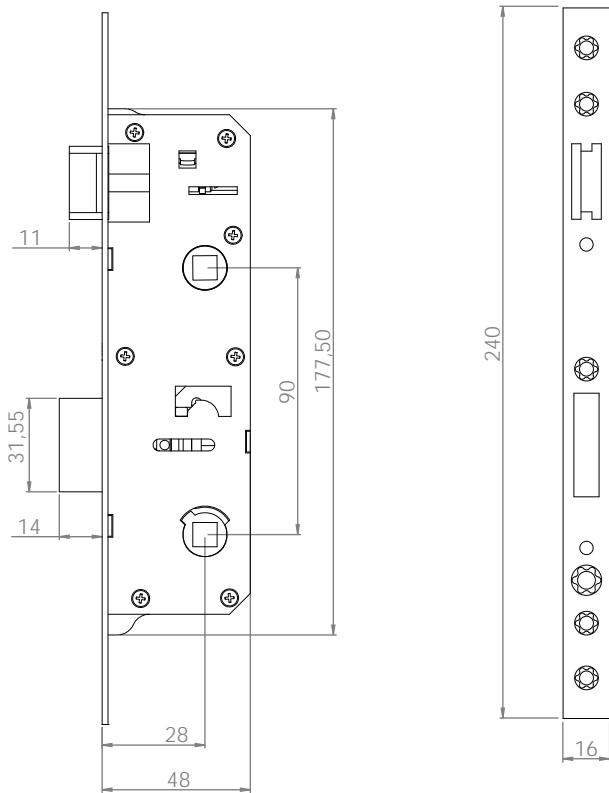
	 Qty.	 Kg
KIL004	40	13,00





Mortice Locks

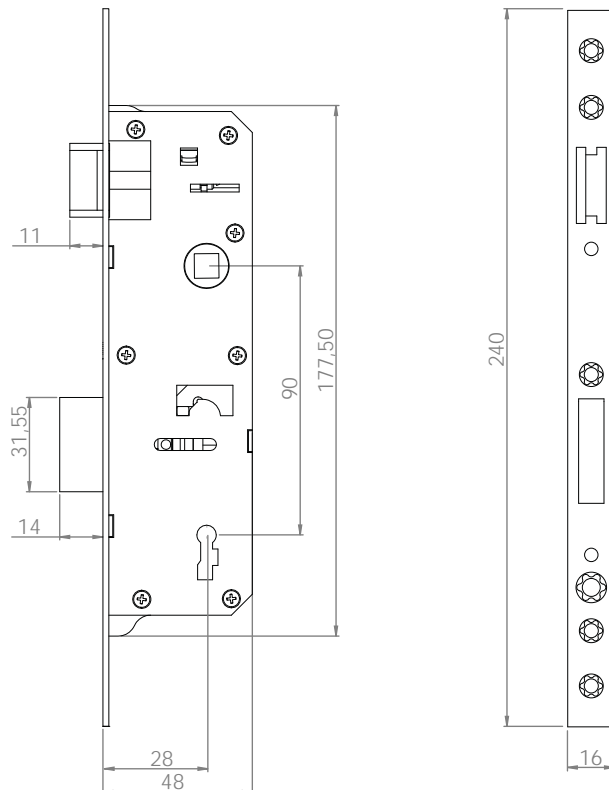
- Plastic Lock Case - Metal Cover Locks



- PZ: 90 mm Backset: 28 mm (WC / Bathroom)



	Qty. 	Kg
KIL005	40	12,98



- PZ: 90 mm Backset: 28 mm (Room)

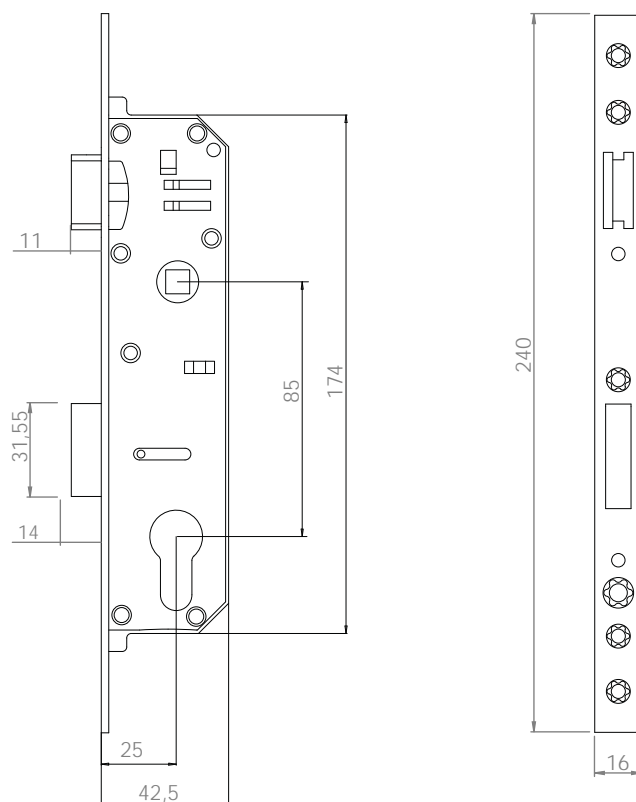


	Qty. 	Kg
KIL006	40	13,70



Plastic Lock Case - Metal Cover Locks

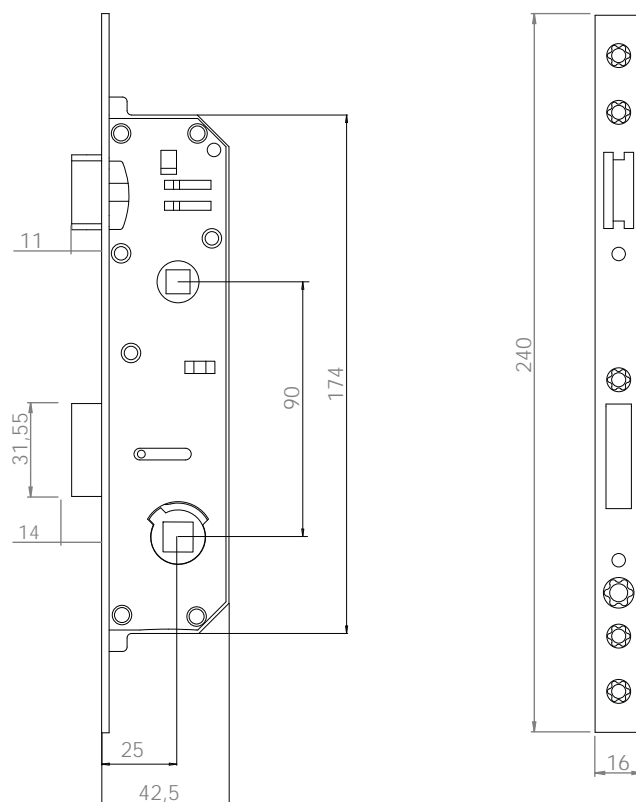
PZ: 85 mm Backset: 25 mm (Cylindrical) ●

	Qty. 	Kg
KIL008	40	10,67



PZ: 90 mm Backset: 25 mm (WC / Bathroom) ●

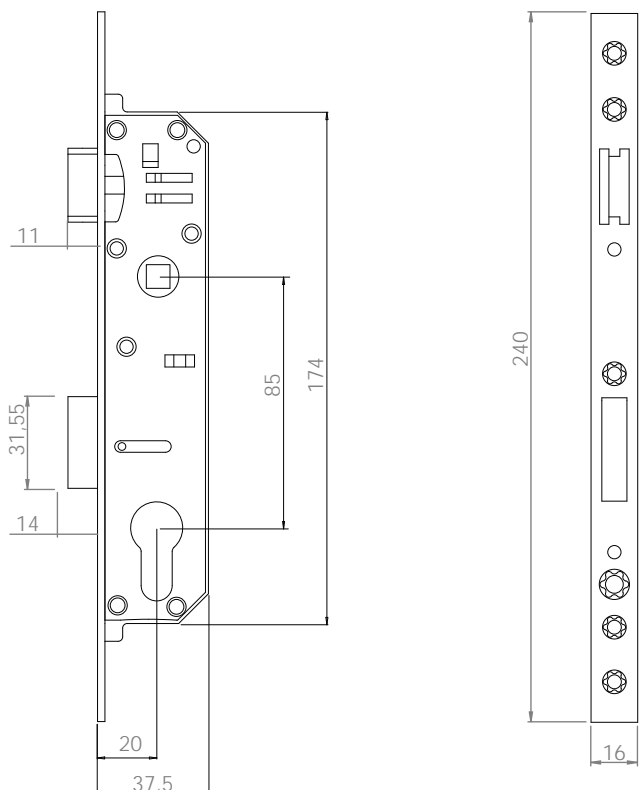
	Qty. 	Kg
KIL016	40	10,50





Mortice Locks

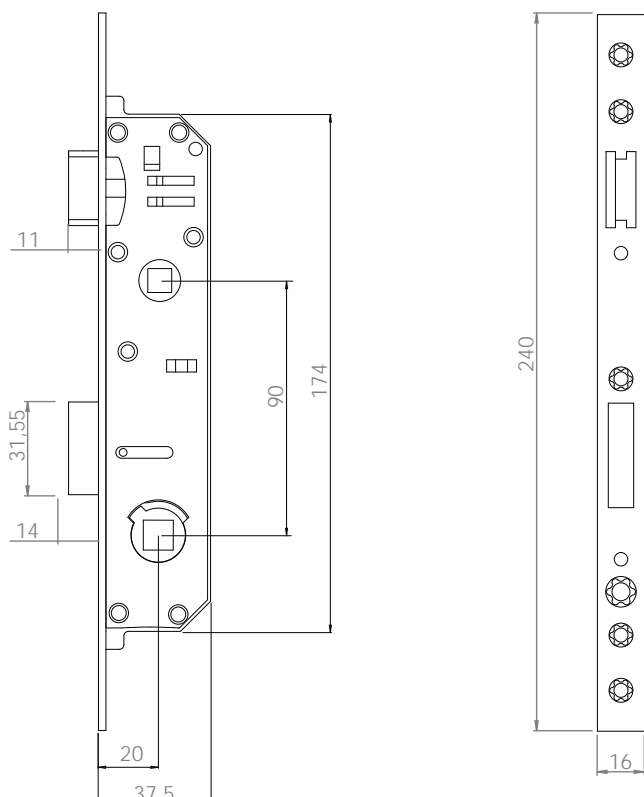
- Plastic Lock Case - Metal Cover Locks



- PZ: 85 mm Backset: 20 mm (Cylindrical)



	Qty. 	Kg
KIL007	40	10,15



- PZ: 90 mm Backset: 20 mm (WC / Bathroom)

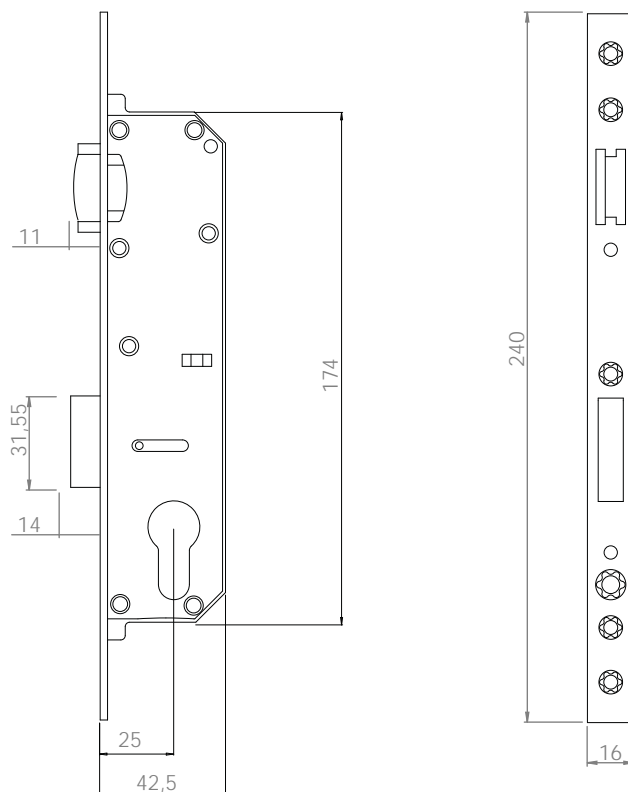


	Qty. 	Kg
KIL015	40	10,5



Plastic Lock Case - Metal Cover Locks

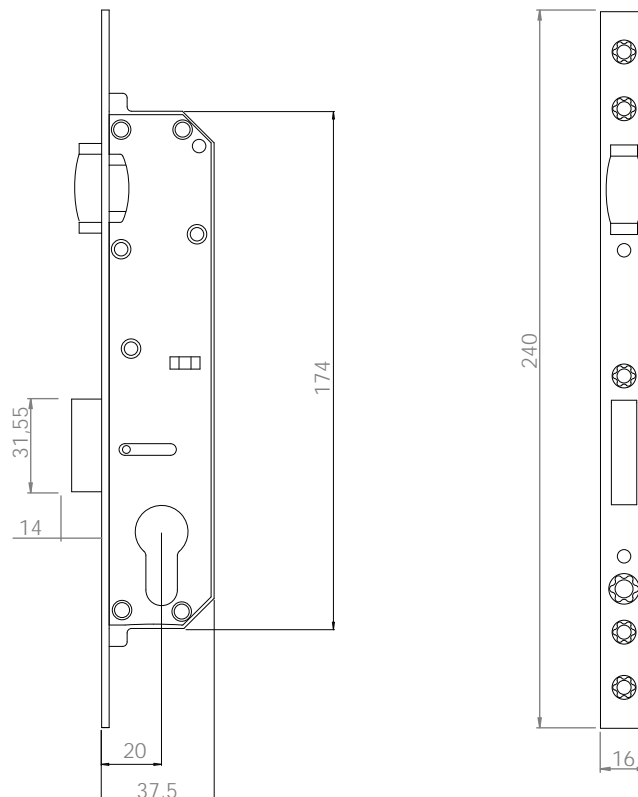
Backset: 25 mm (Roller Latch)

	Qty. 	Kg
KIL010	40	11,55



Backset: 20 mm (Roller Latch)

	Qty. 	Kg
KIL009	40	10,85

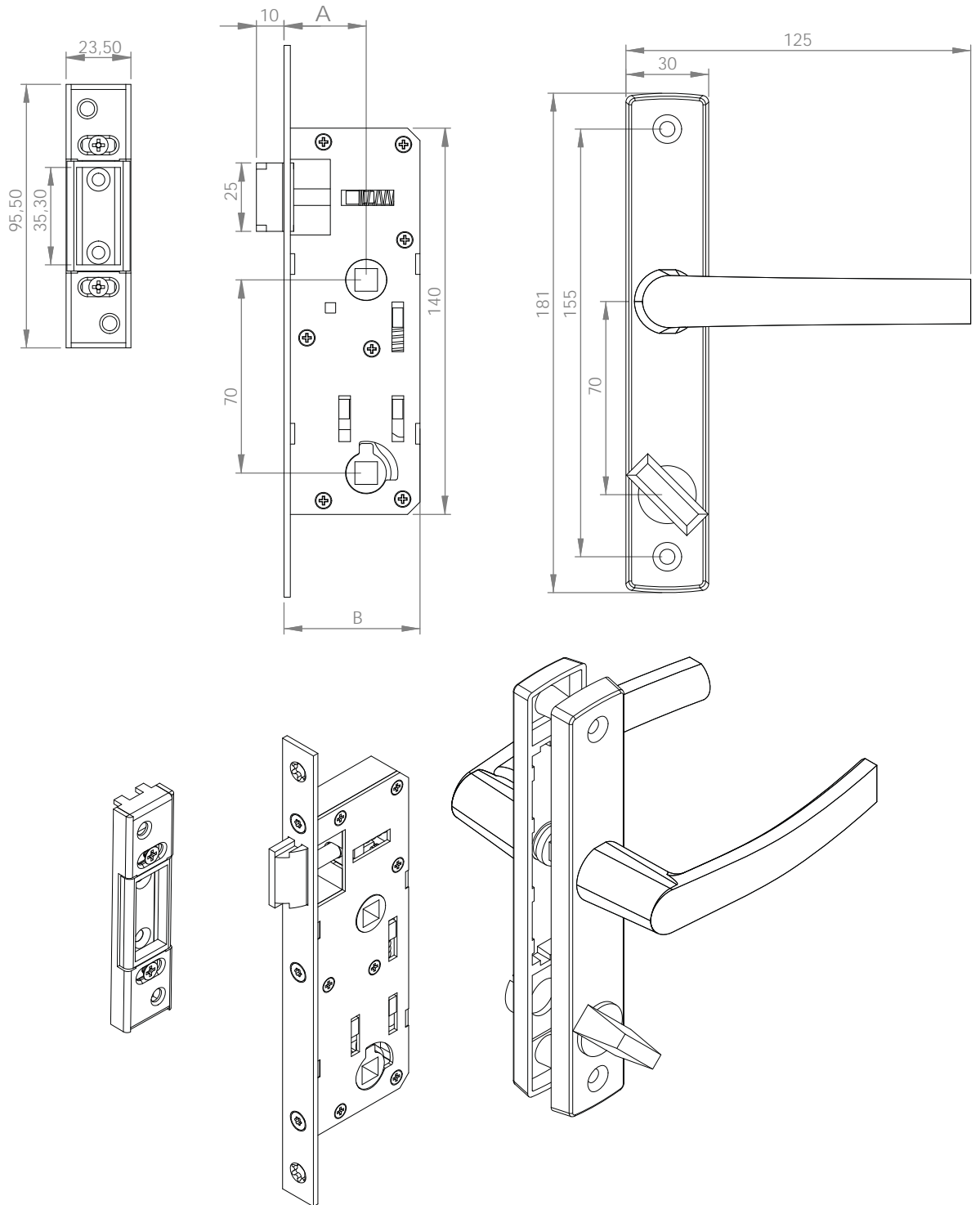




Mortice Locks

- Mini Lock Set



- PZ: 70 mm Backset: 30 / 25 mm

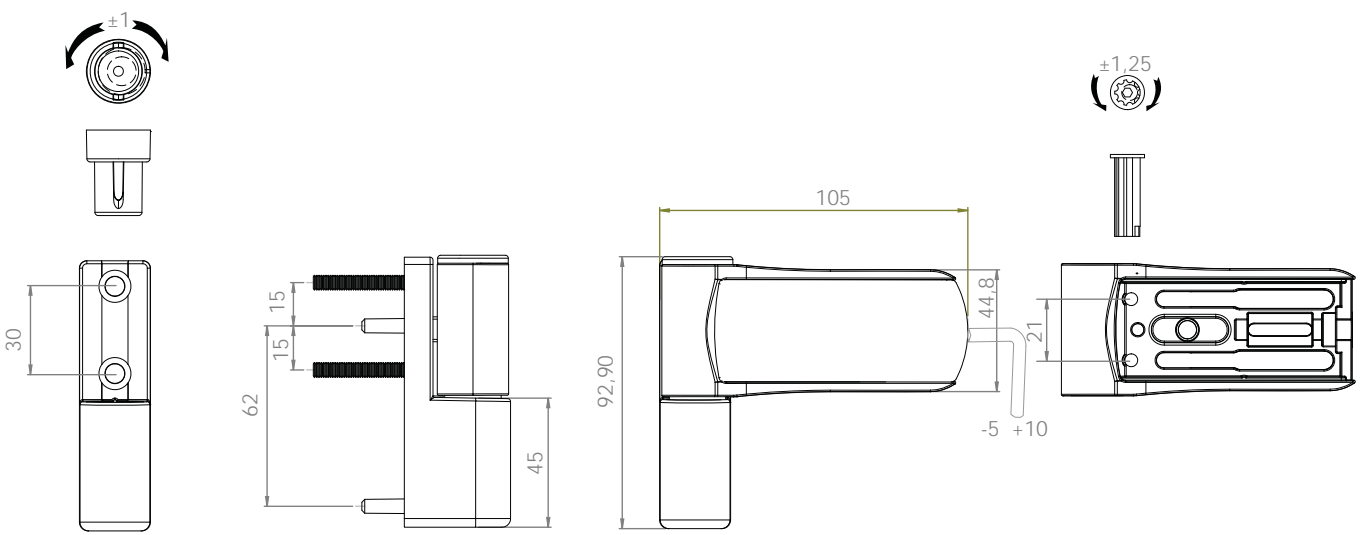
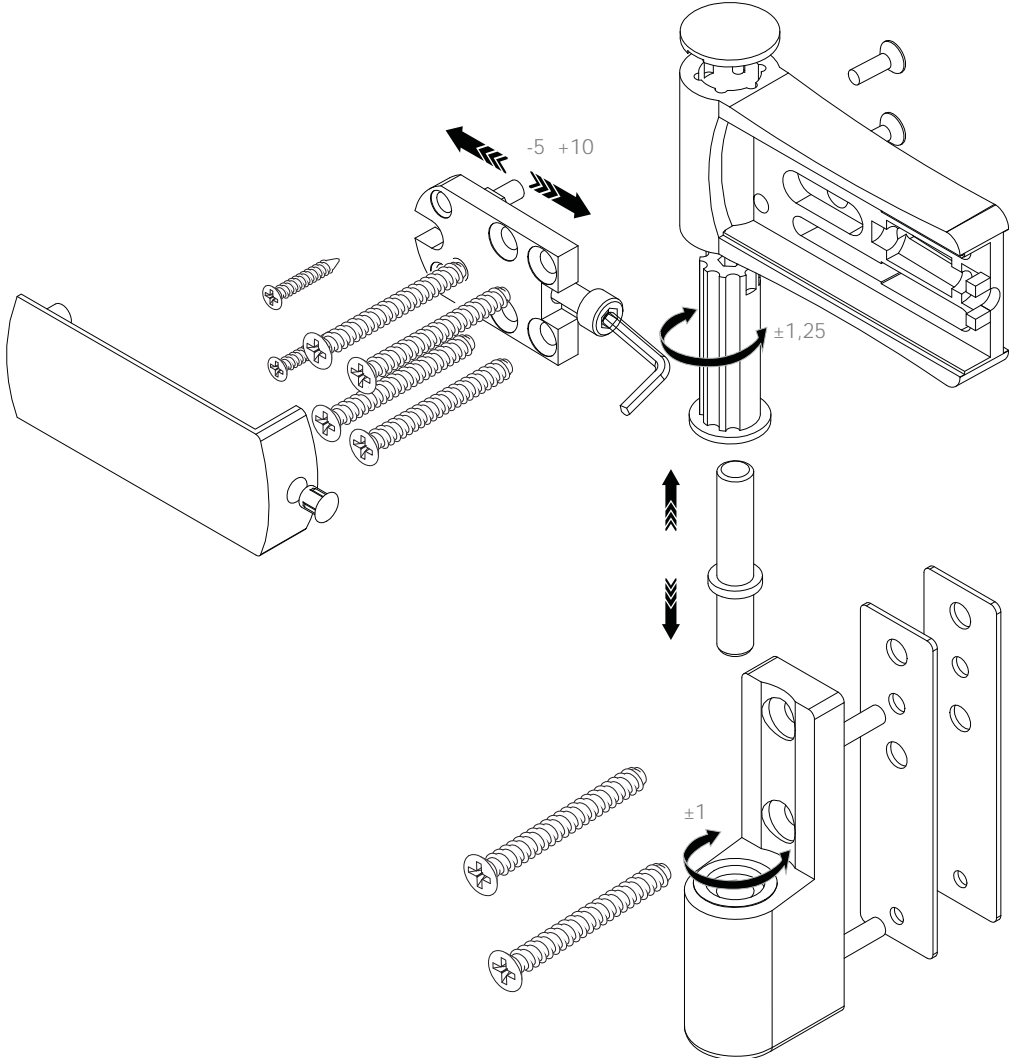


	A	B	Qty. 	Kg
MINI 004	25	49,30	20	14,85
MINI 001-3-5	30	44,30	20	14,85

Hinges For uPVC

- Zinc 3D Adjustable Door Hinge



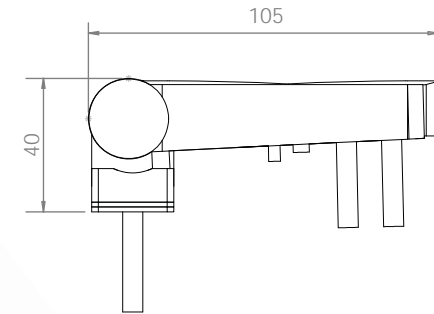


Hinges For uPVC

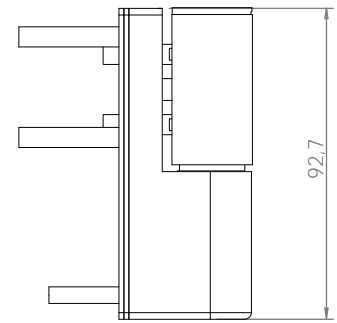
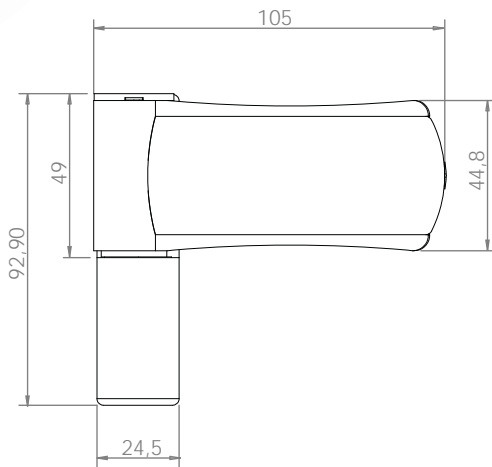
● 3D Adjustable Door Hinges



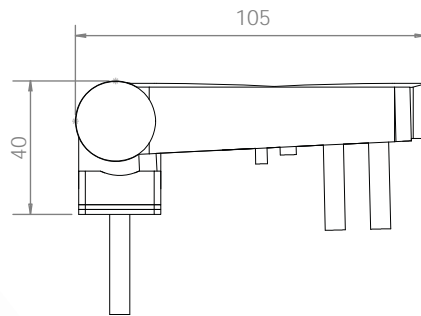
● Zinc 3D Adjustable Door Hinge



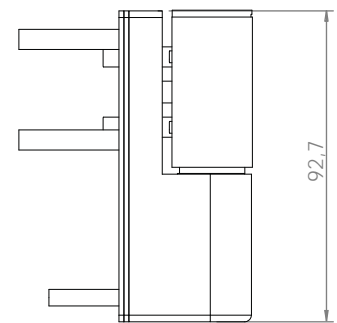
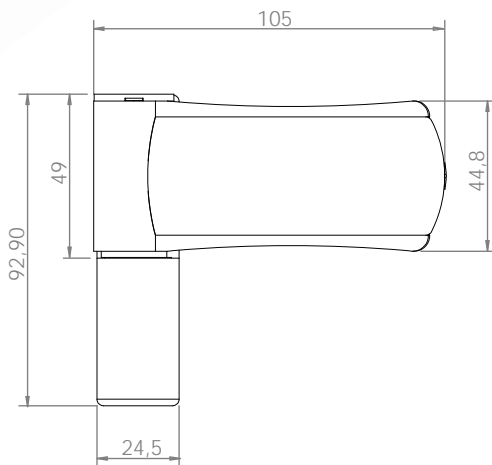
		Qty.	Kg
ZM007	8	24	15,6



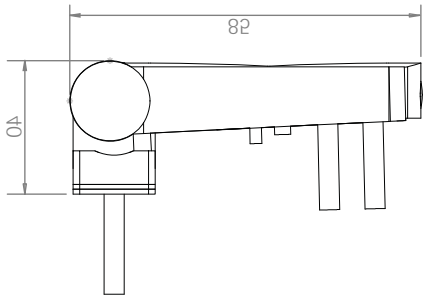
● Aluminium 3D Adjustable Door Hinge



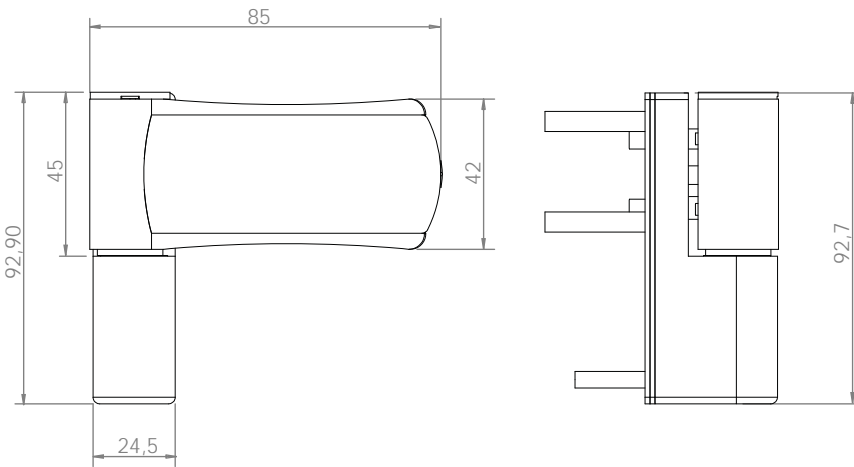
		Qty.	Kg
ZM018	8	24	10,5



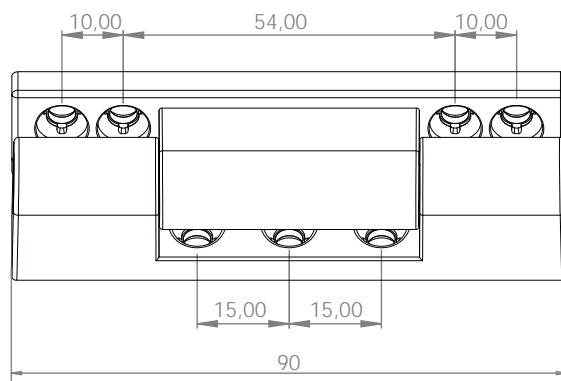
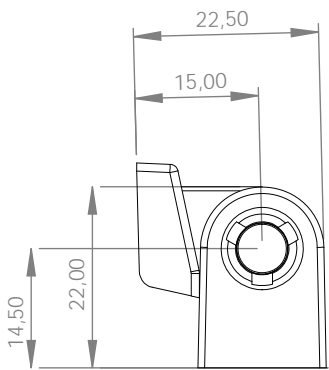
Small Zinc 3D Adjustable Door Hinge



		Qty.		Kg
ZM007J		8	24	10,55



Plastic Covered Metal Hinge 90 mm



		Qty.		Kg
PS005		7	-	-

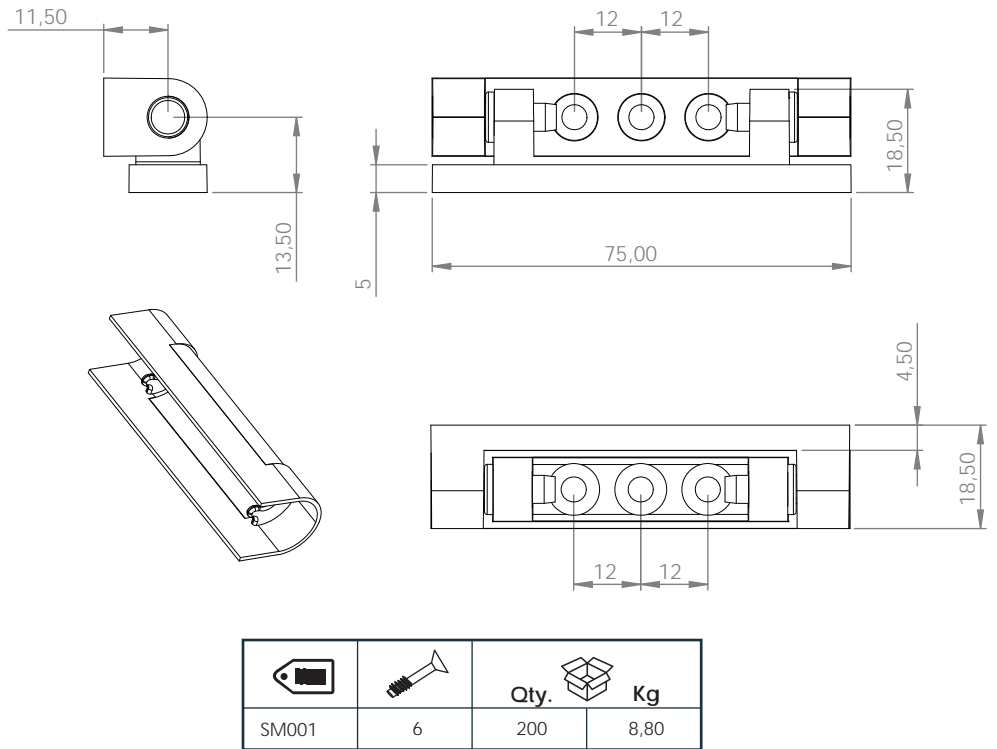


Hinges For uPVC

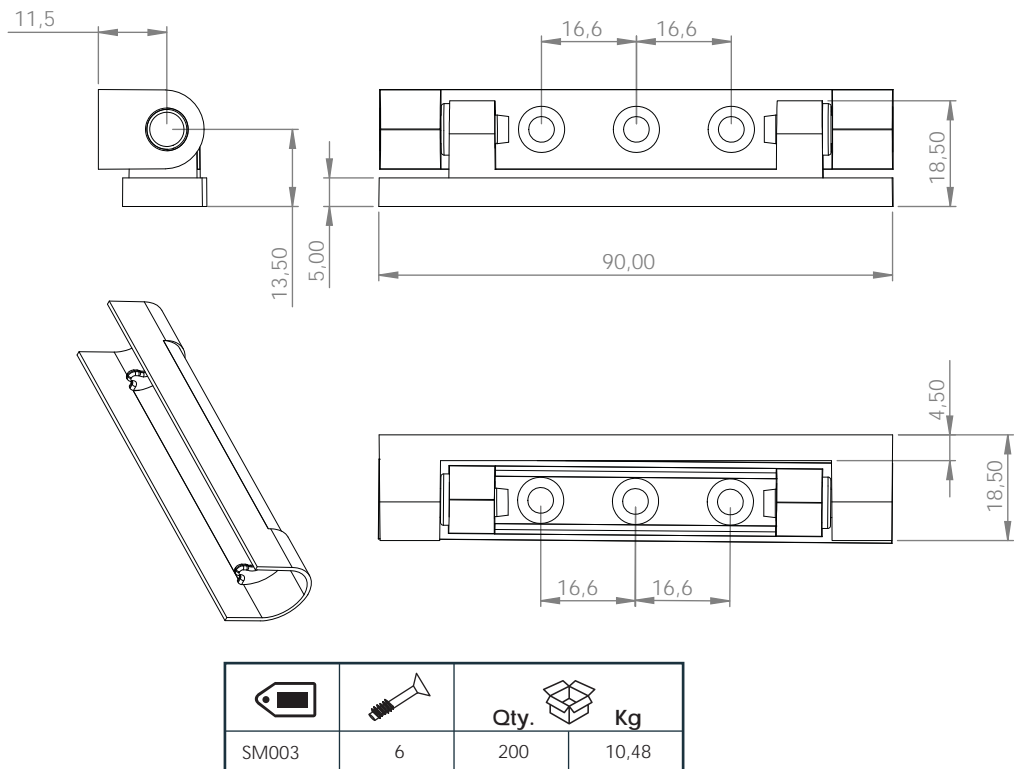
Window And Door Hinges



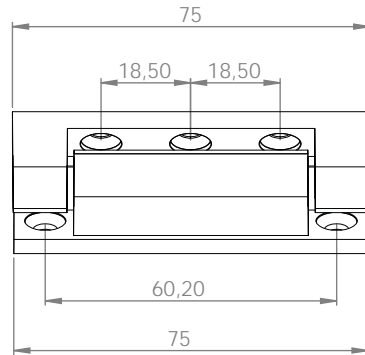
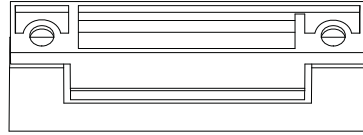
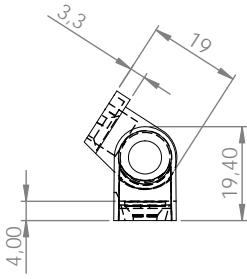
● Aluminium Speedy Hinge 75 mm



● Aluminium Speedy Hinge 90 mm



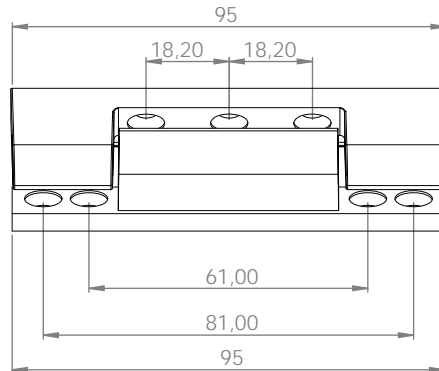
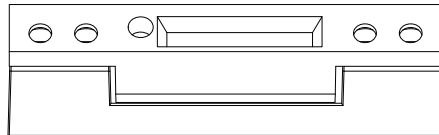
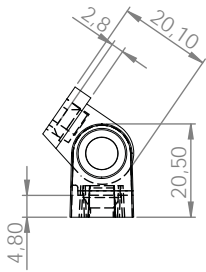
Aluminium Window Hinge 75 mm



Code	Qty.	Kg
ALM001	5	11,20



Aluminium Door Hinge 95 mm



Code	Qty.	Kg
ALM002	7	15,36

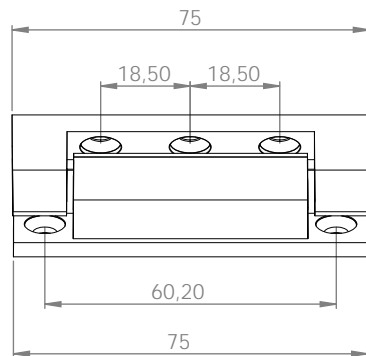
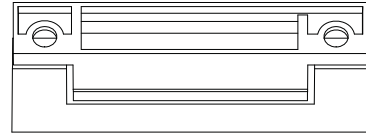
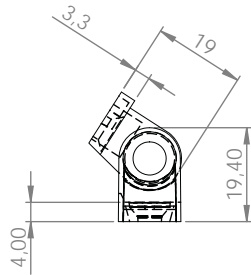


Hinges For uPVC

Window And Door Hinges



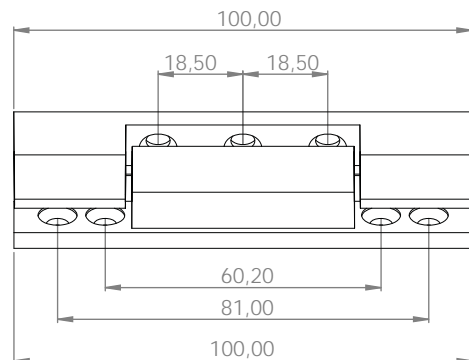
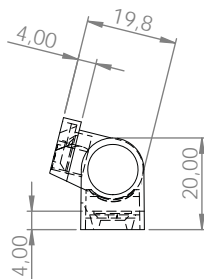
● Zinc Window Hinge 75 mm



		Qty.	Kg
ZM009	5	150	12,82

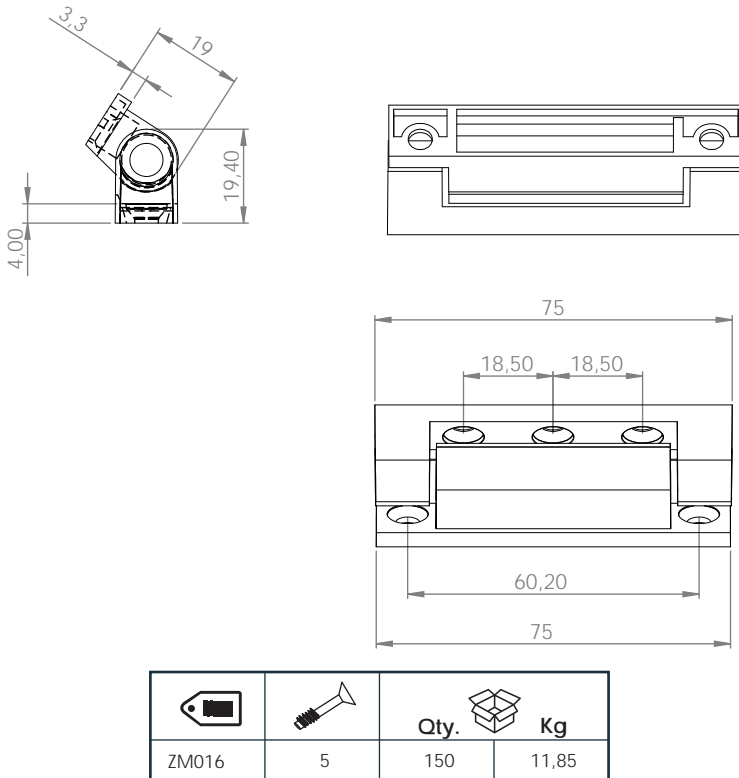


● Zinc Door Hinge 100 mm

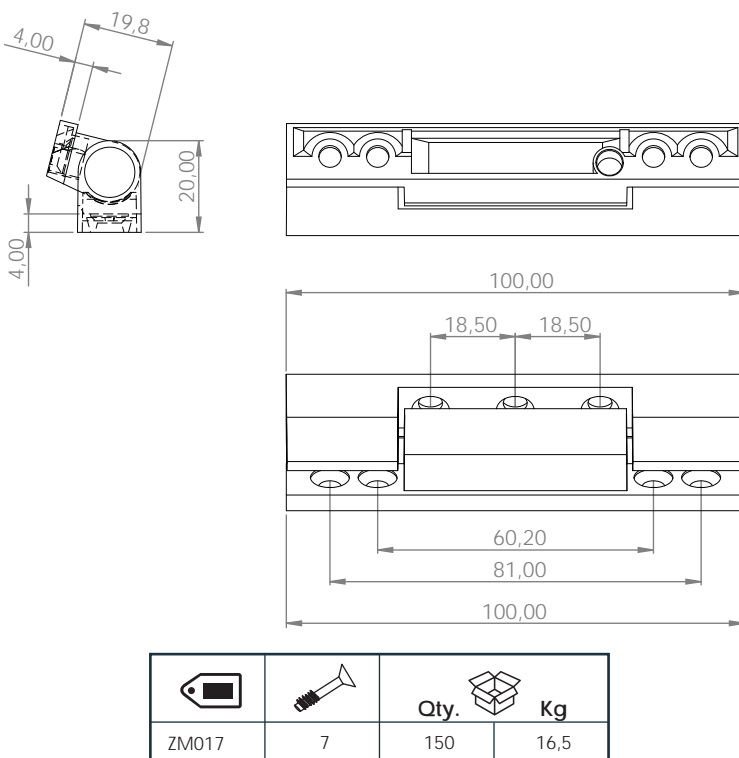


		Qty.	Kg
ZM010	7	150	17,7

Zinc Window Hinge 75 mm / Economic ●



Zinc Door Hinge 100 mm / Economic ●

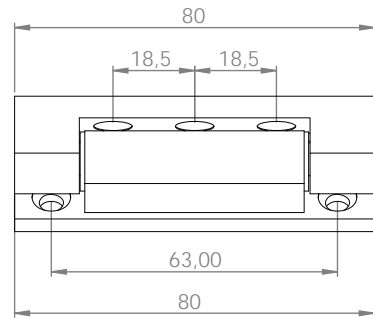
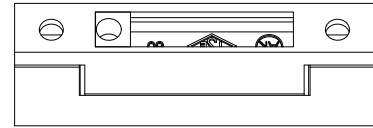
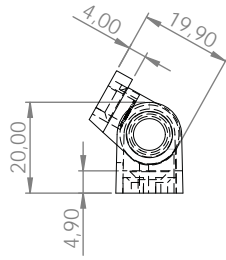


Hinges For uPVC

Window And Door Hinges



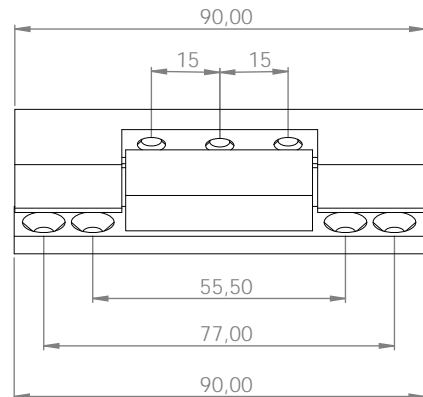
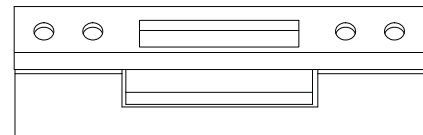
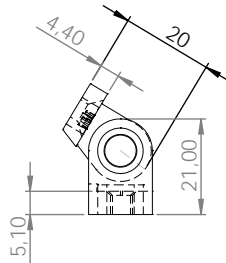
● Zinc Window Hinge 80 mm



		Qty.	Kg
ZM003	5	150	15,22

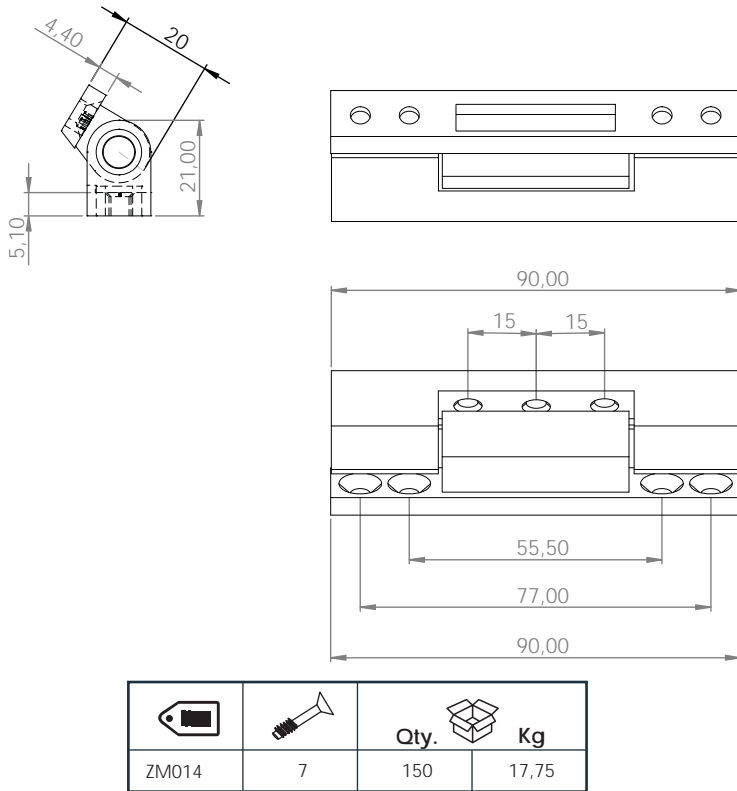


● Zinc Door Hinge 90 mm

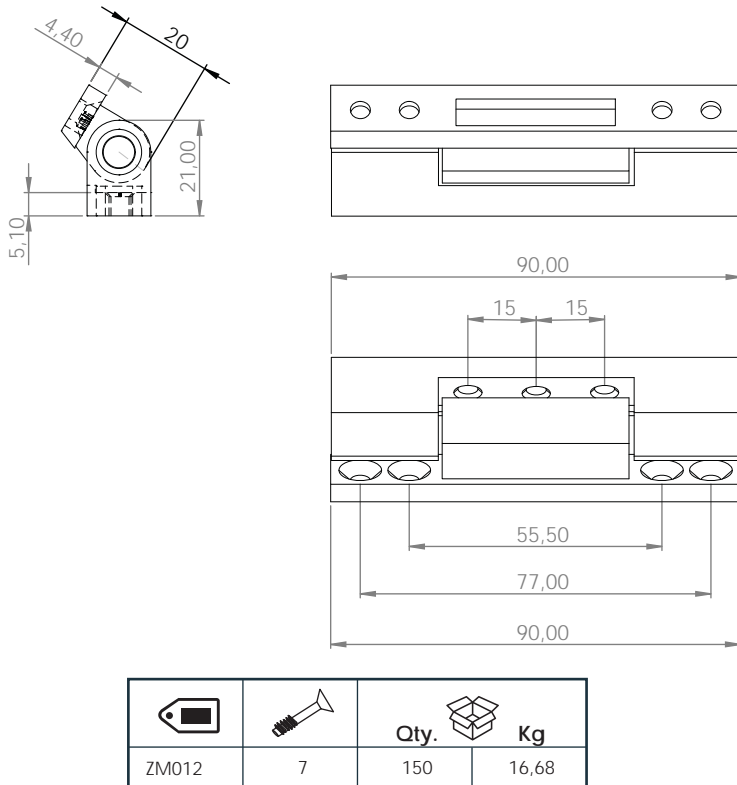


		Qty.	Kg
ZM004	7	150	17,75

Zinc Door Hinge 90 mm For Firatpen ●



Zinc Door Hinge 90 mm For Adopen Marmara ●

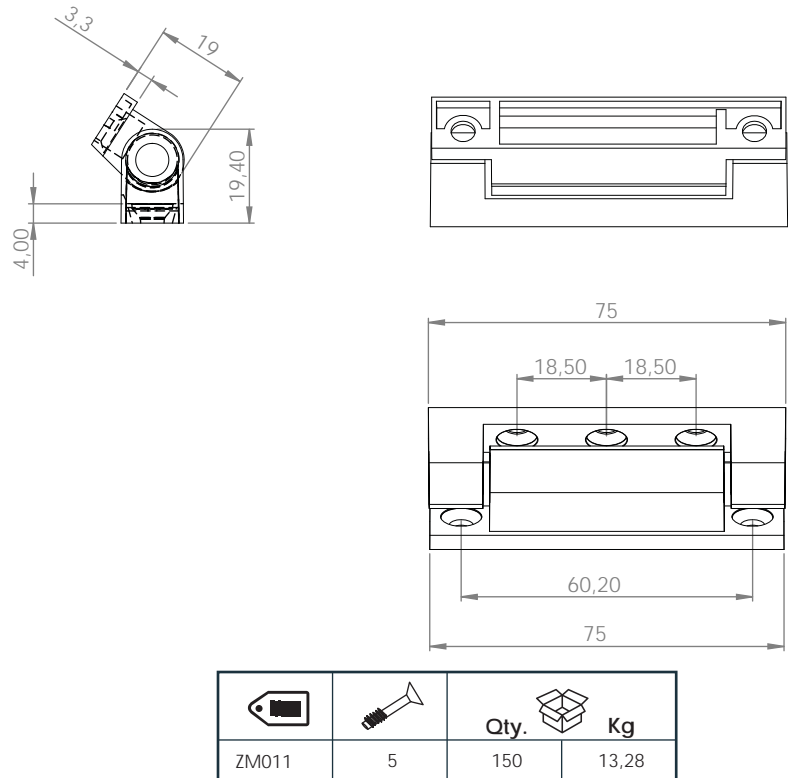


Hinges For uPVC

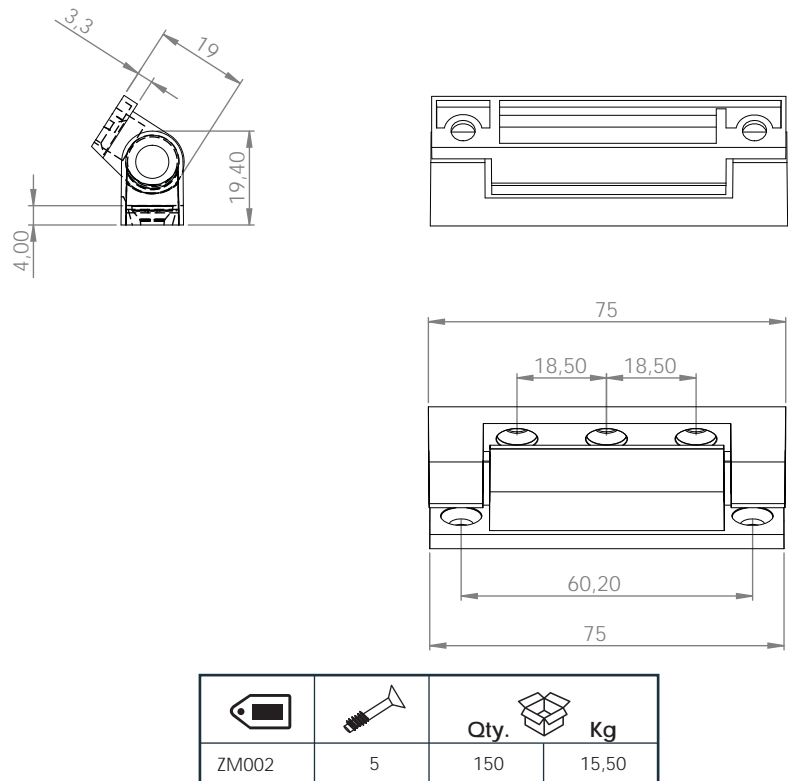
Window And Door Hinges



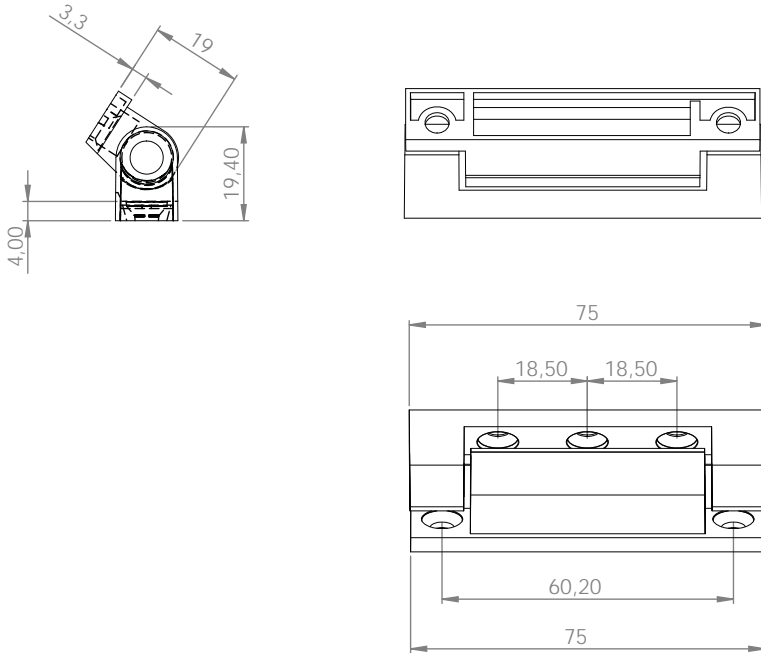
● Zinc Window Hinge 75 mm For Adopen Marmara



● Zinc Window Hinge 75 mm For Egepen



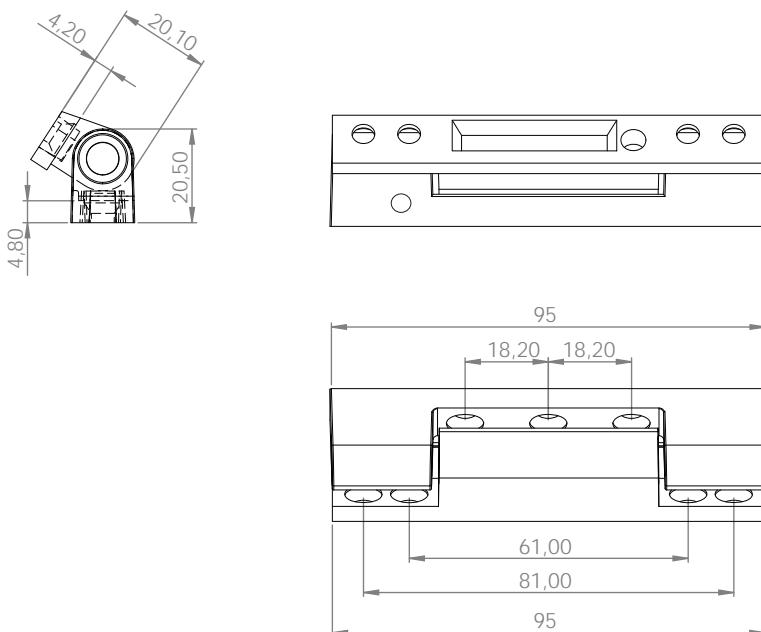
Zinc Window Hinge 75 mm For Egepen Max / Adopen Atlantik



		Qty.		Kg
ZM013	5	150		14,40



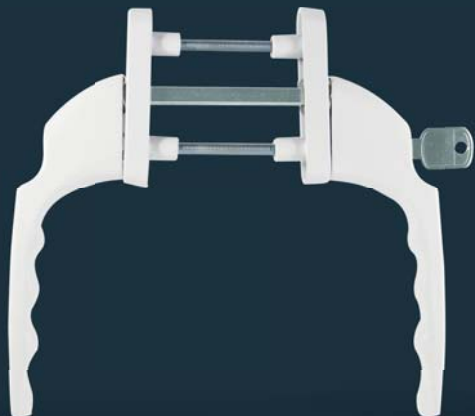
Zinc Door Hinge 95 mm Outward Opening



		Qty.		Kg
ZM006	7	150		20,22



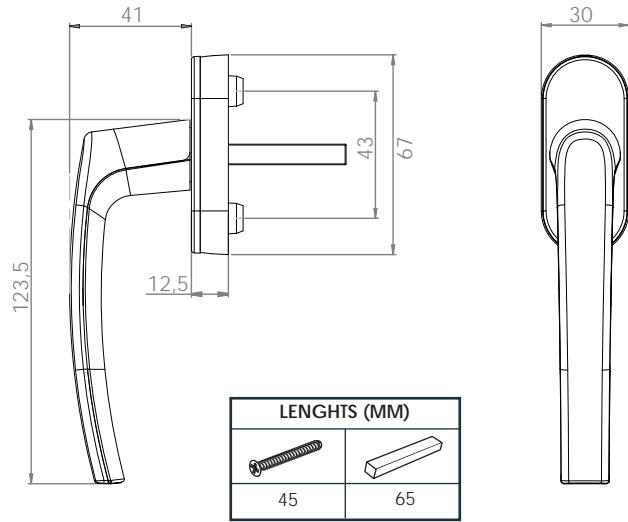




Handles For uPVC

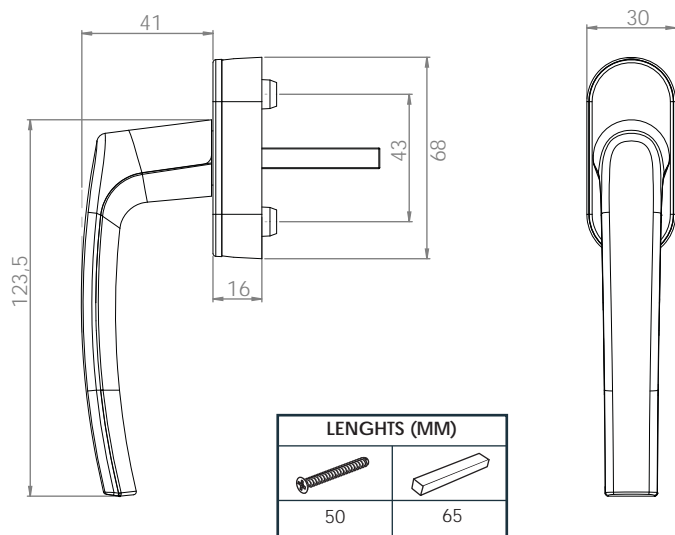
Mesut Window And Door Handles

Mesut Aluminium Window Handle



		Qty.	Kg
AP006	2	100	14,05

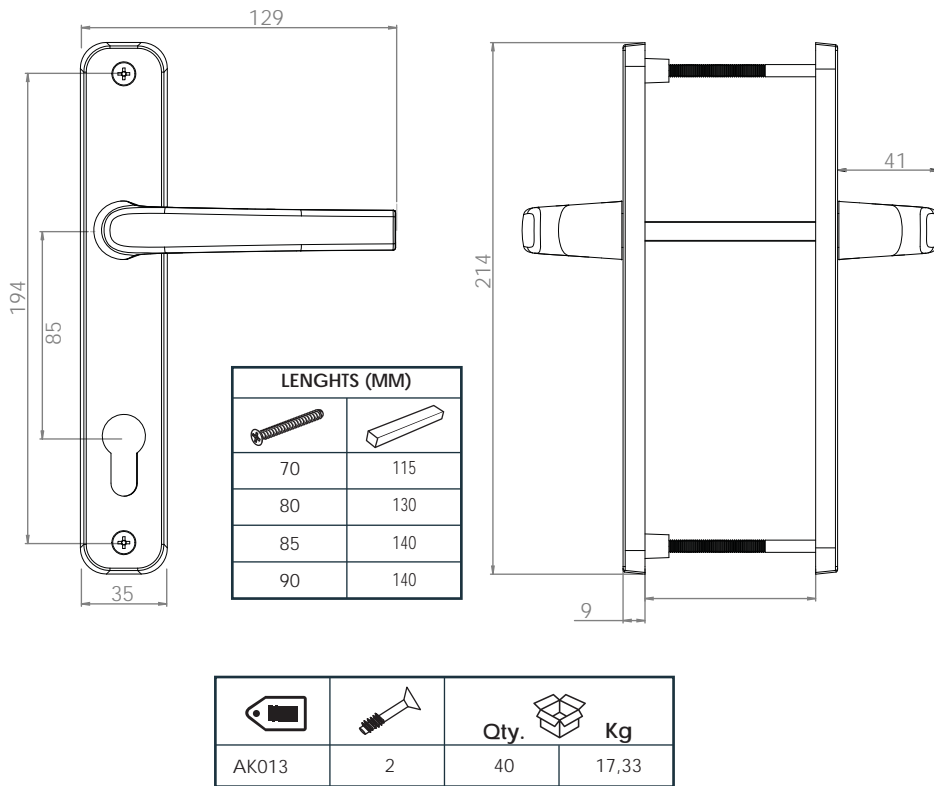
Mesut Max Aluminium Acoustic Window Handle



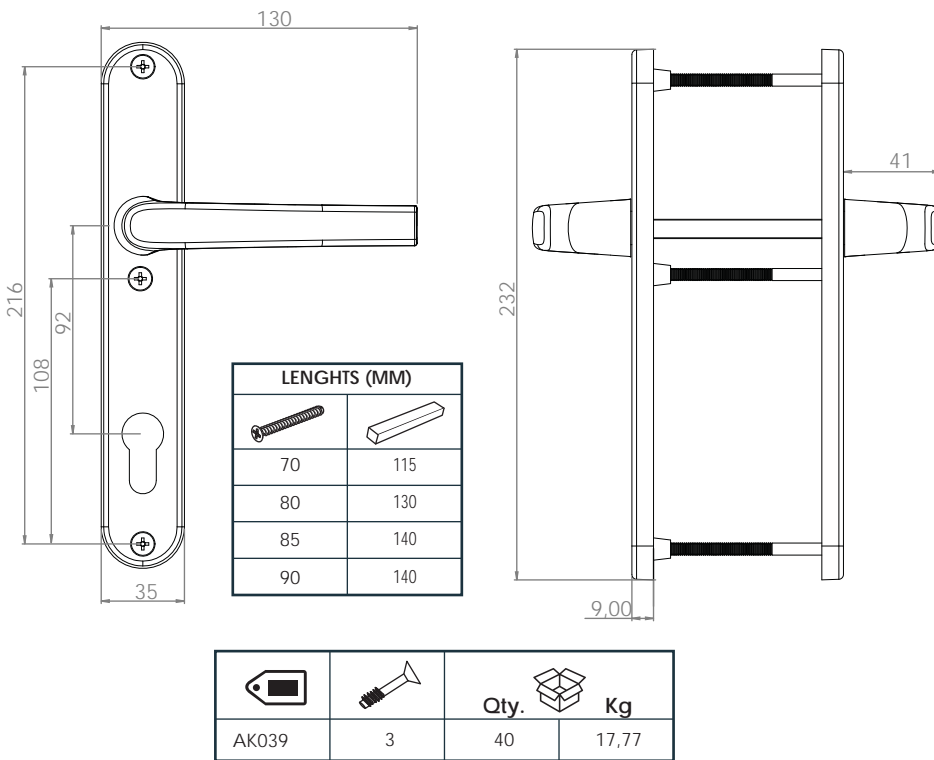
		Qty.	Kg
AP014	2	100	16,25

Mesut Window And Door Handles

Mesut Aluminium Door Handle ●
PZ: 85 mm Backset: 35 mm

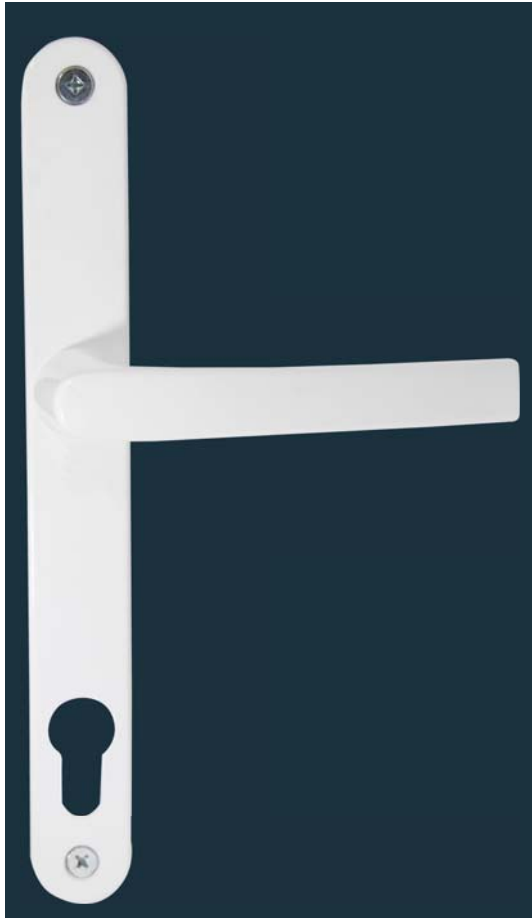


Mesut Aluminium Door Handle ●
PZ: 92 mm Backset: 35 mm

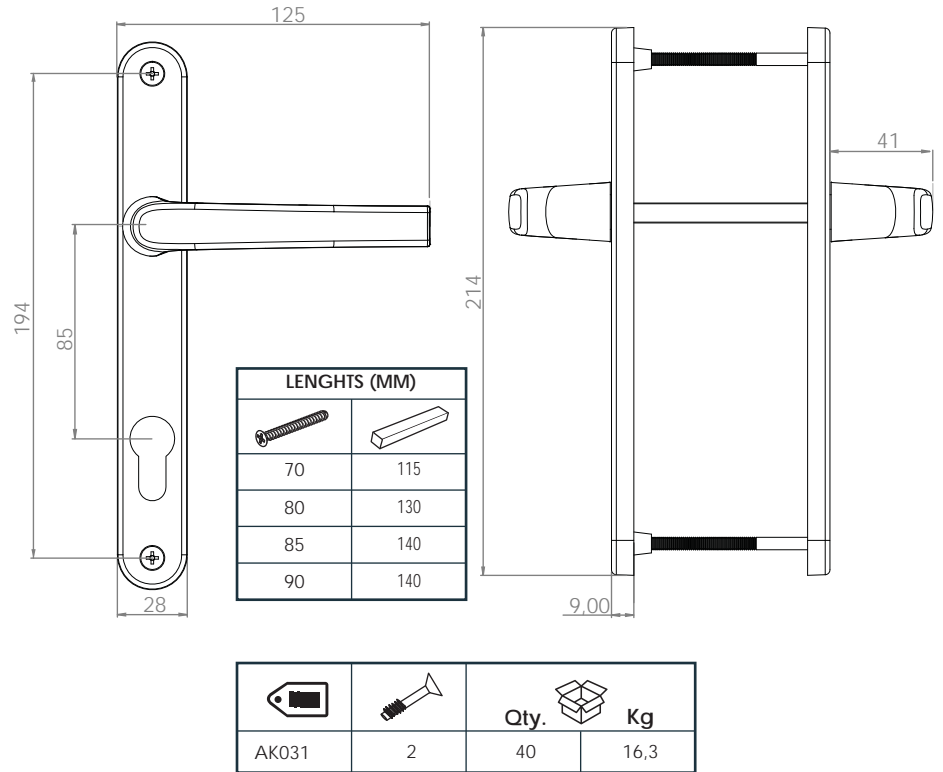


Handles For uPVC

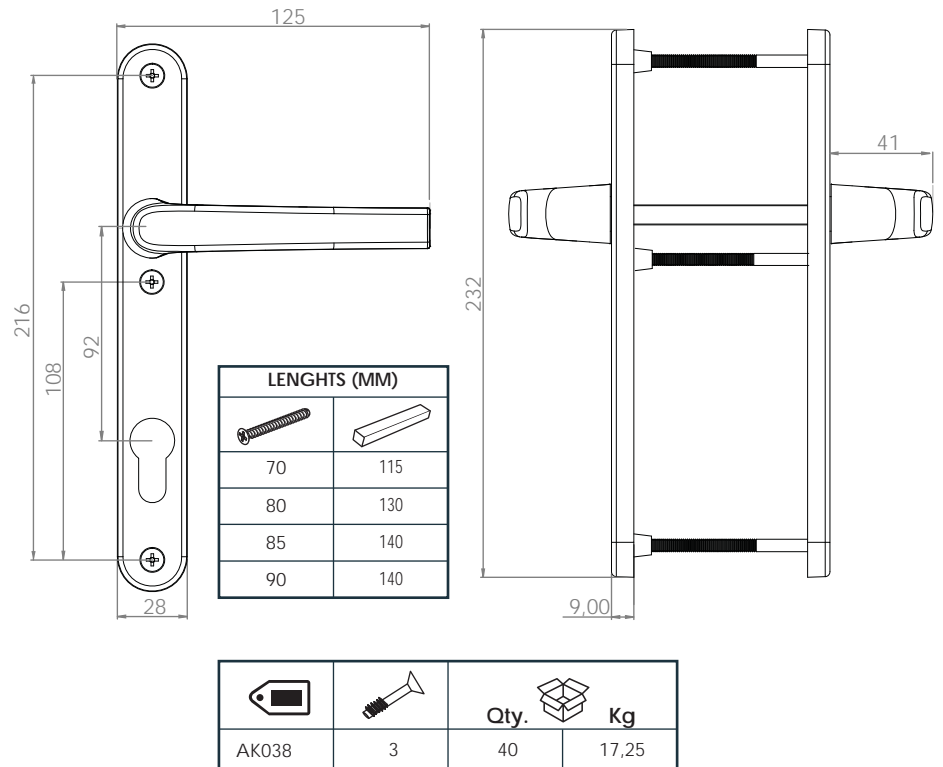
Mesut Window And Door Handles



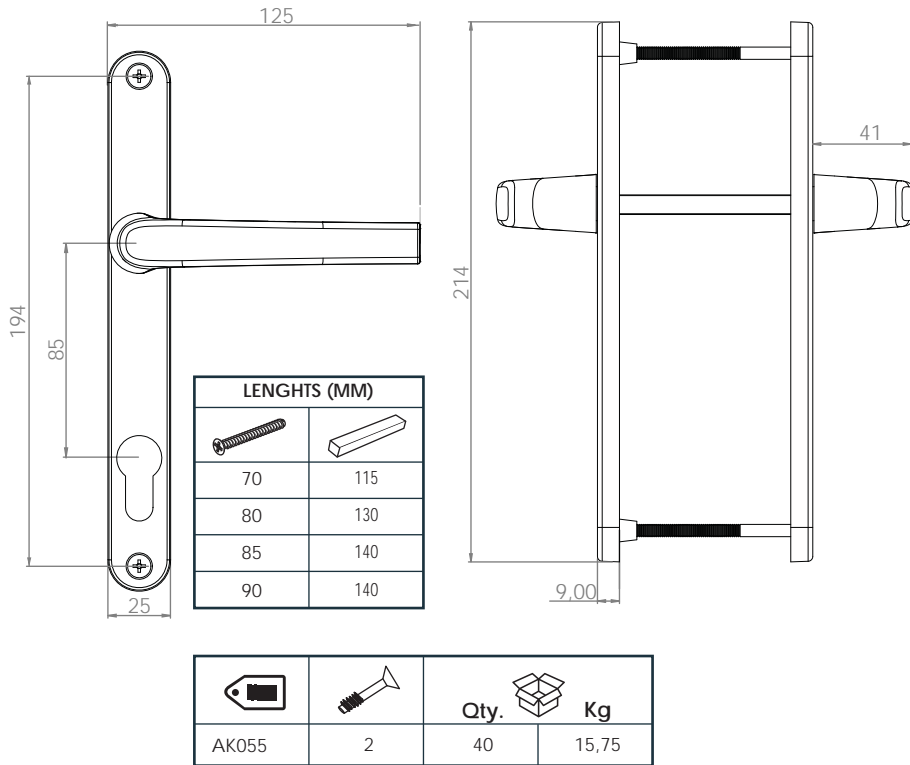
● Mesut Aluminium Door Handle
PZ: 85 mm Backset: 28 mm



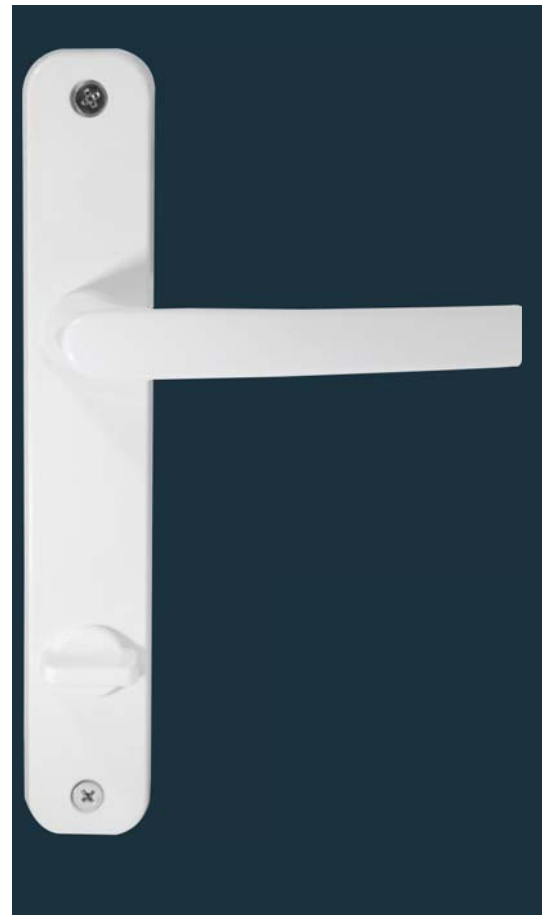
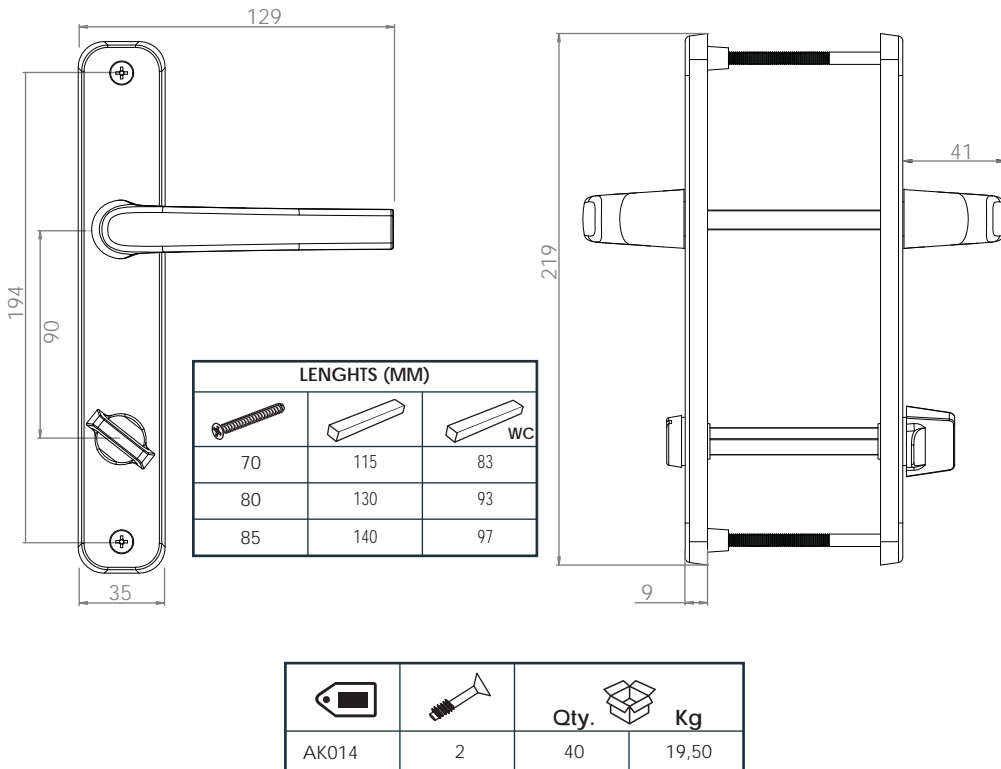
● Mesut Aluminium Door Handle
PZ: 92 mm Backset: 28 mm



Mesut Aluminium Door Handle ●
PZ: 85 mm Backset: 25 mm



Mesut Aluminium WC Handle ●
PZ: 90 mm Backset: 35 mm

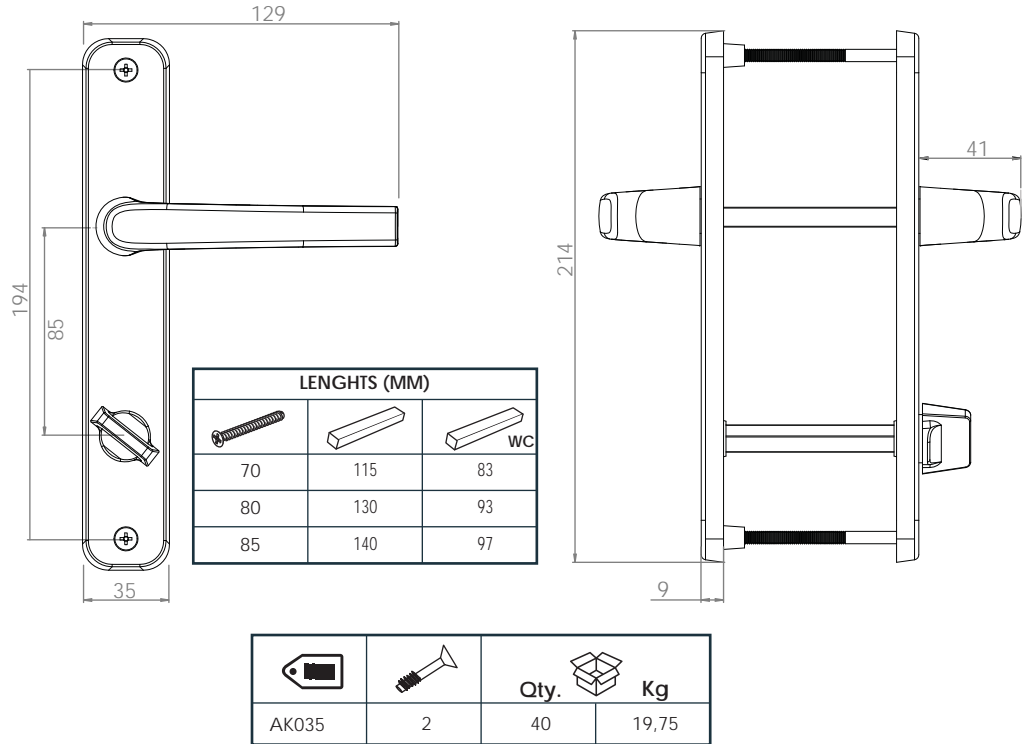


Handles For uPVC

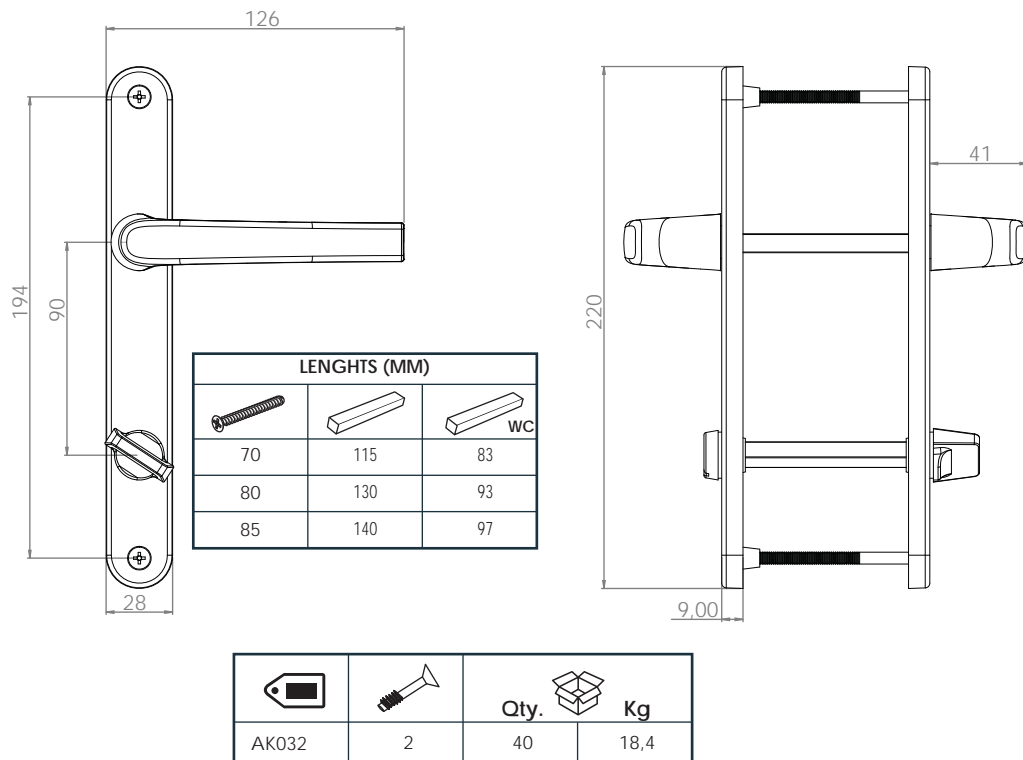
- Mesut Window And Door Handles



- Mesut Aluminium Balcony Handle
PZ: 85 mm Backset: 35 mm

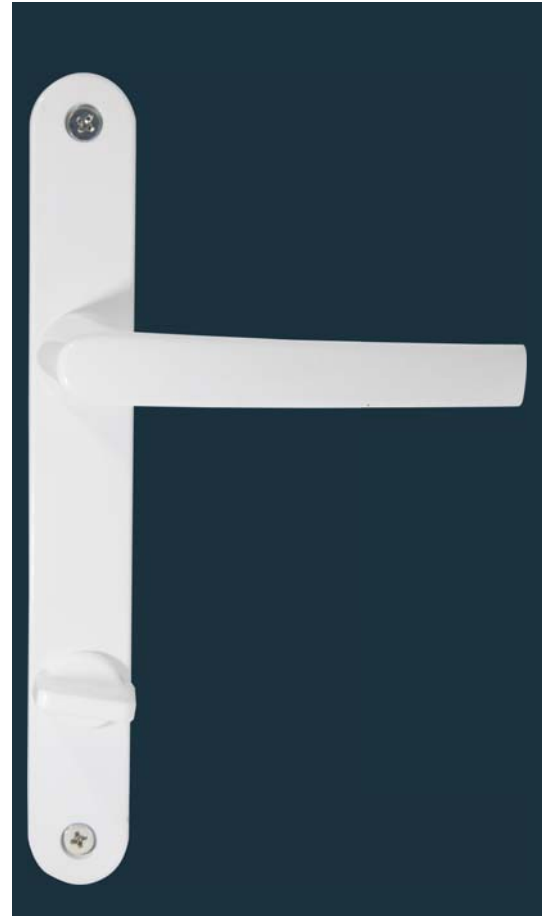
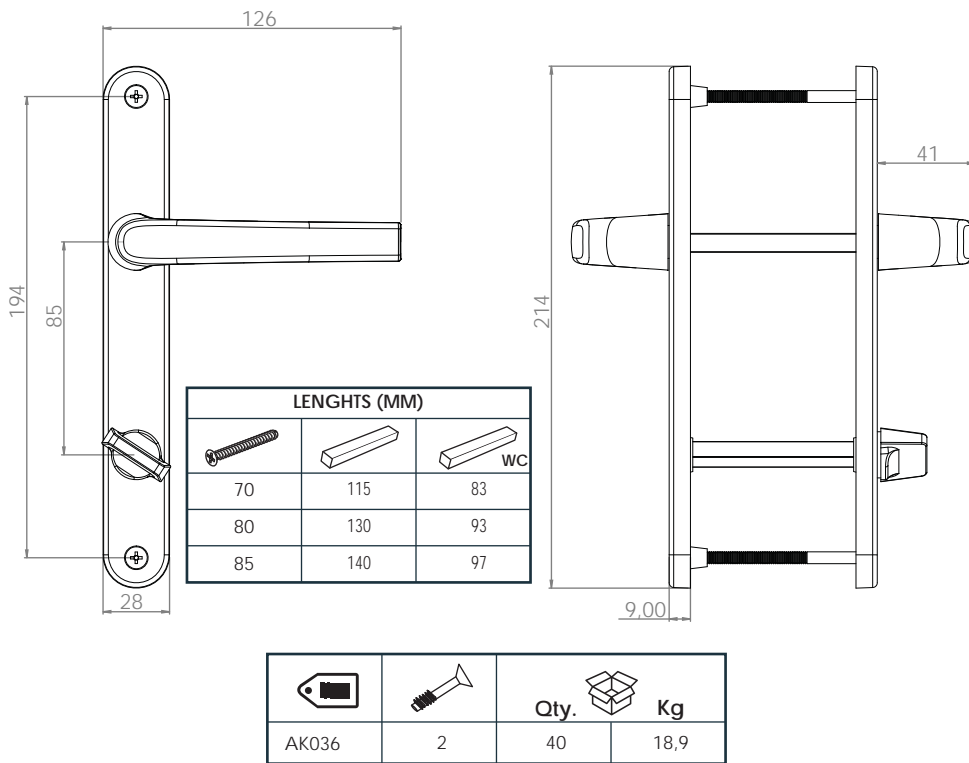


- Mesut Aluminium WC Handle
PZ: 90 mm Backset: 28 mm

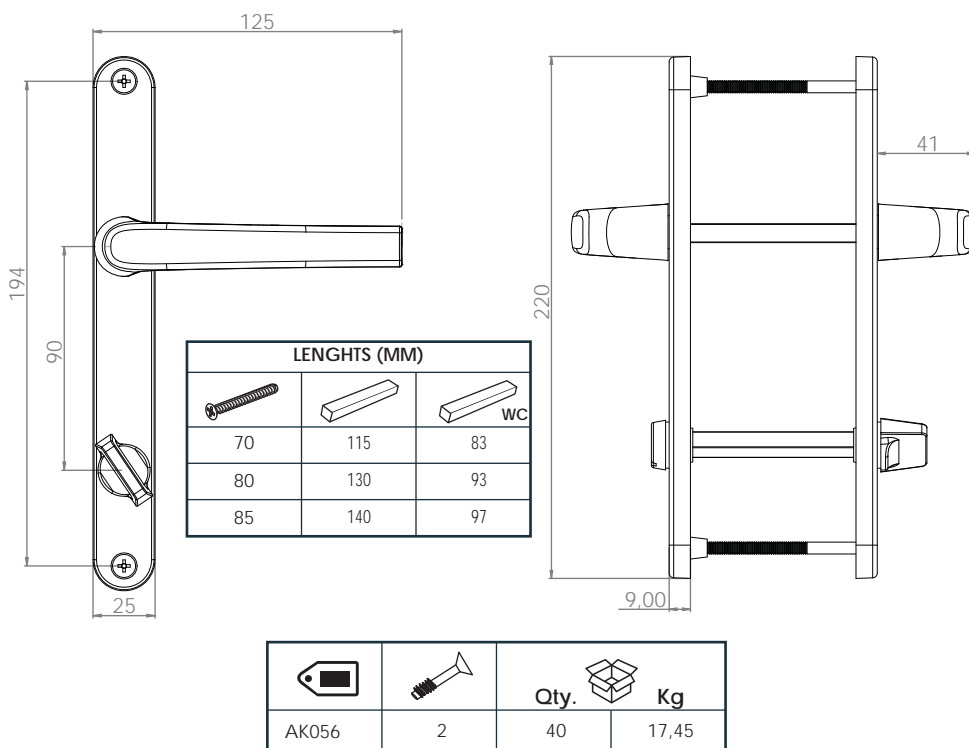


Mesut Window And Door Handles

Mesut Aluminium Balcony Handle ●
PZ: 85 mm Backset: 28 mm



Mesut Aluminium WC Handle ●
PZ: 90 mm Backset: 25 mm

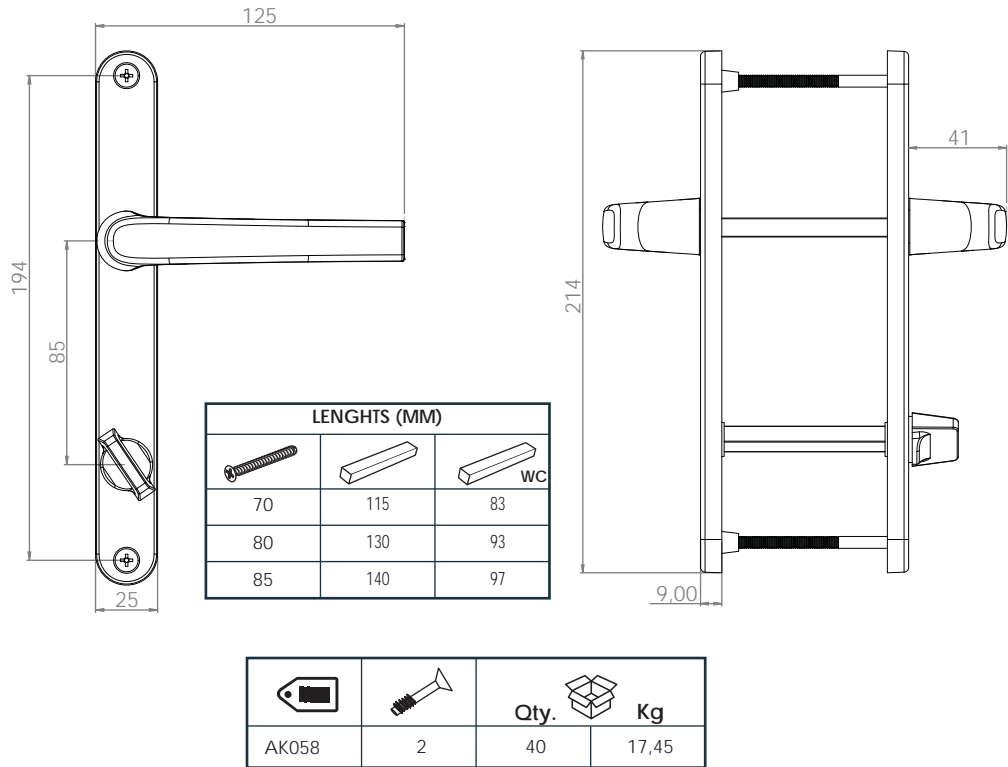


Handles For uPVC

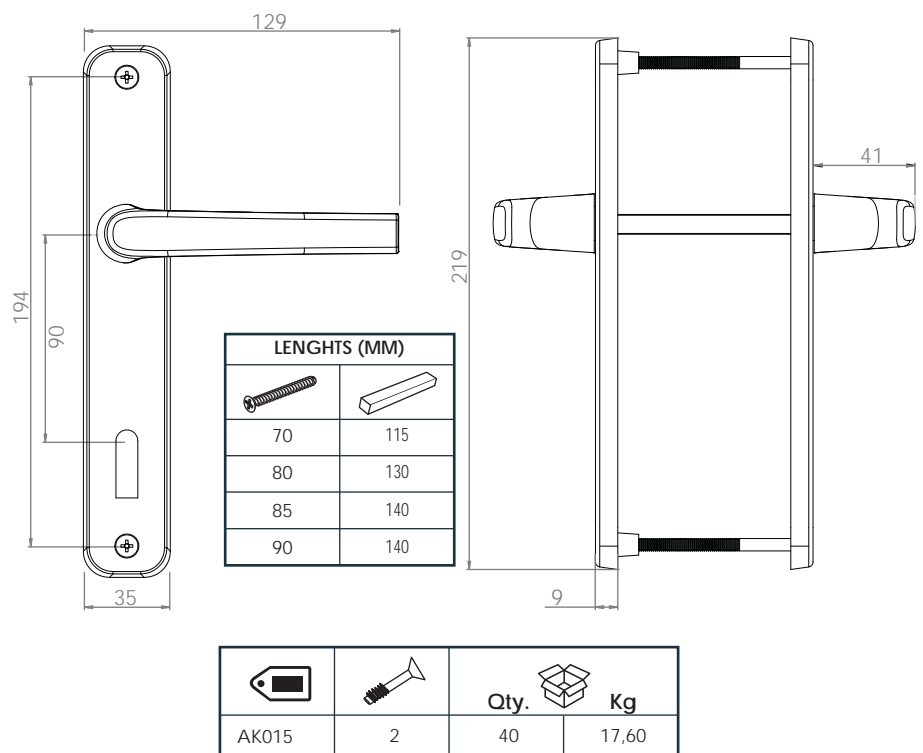
Mesut Window And Door Handles



● Mesut Aluminium Balcony Handle
PZ: 85 mm Backset: 25 mm

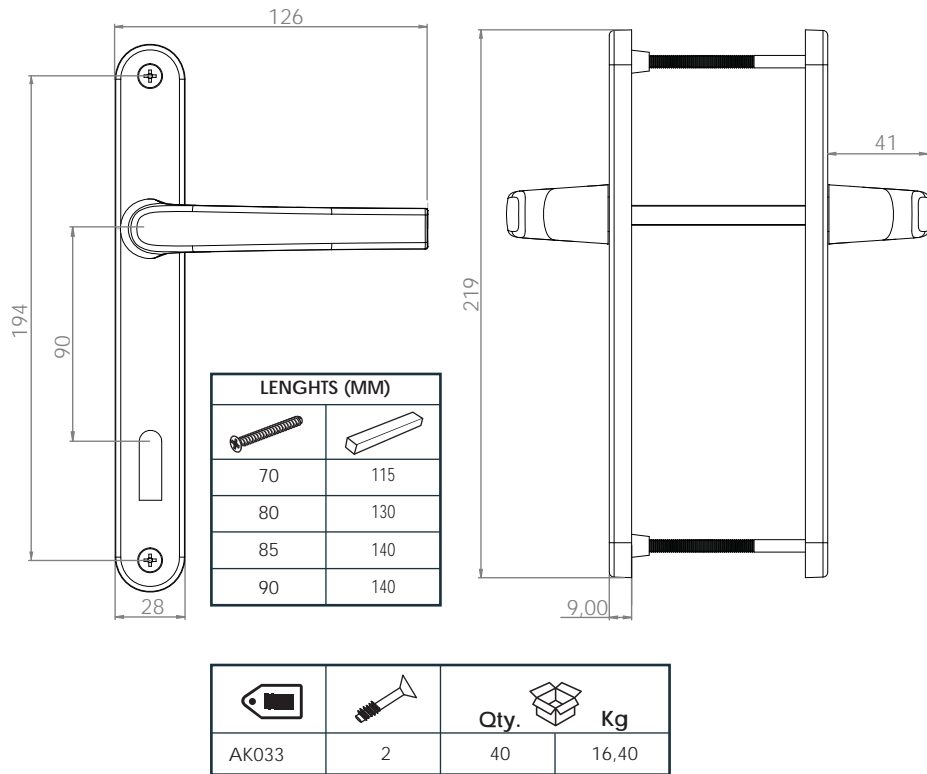


● Mesut Aluminium Room Handle
PZ: 90 mm Backset: 35 mm

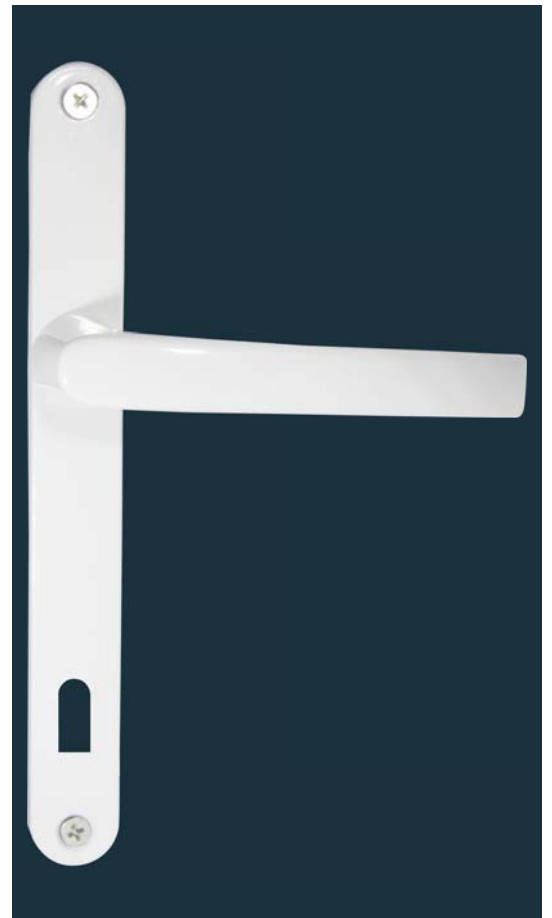
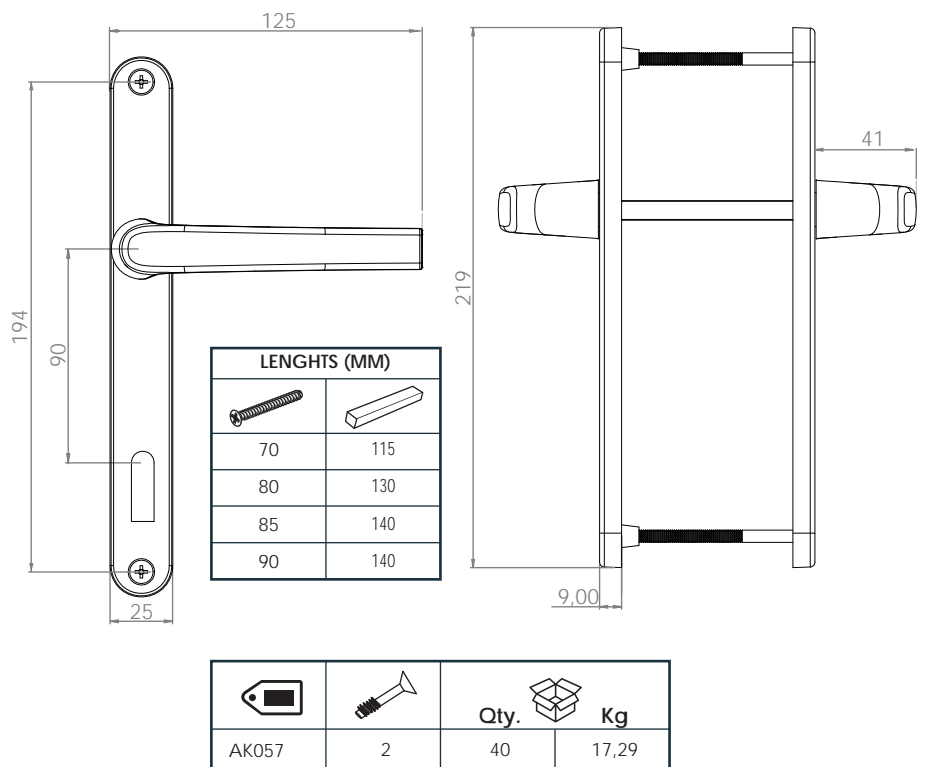


Mesut Window And Door Handles

Mesut Aluminium Room Handle ●
PZ: 90 mm Backset: 28 mm



Mesut Aluminium Room Handle ●
PZ: 90 mm Backset: 25 mm

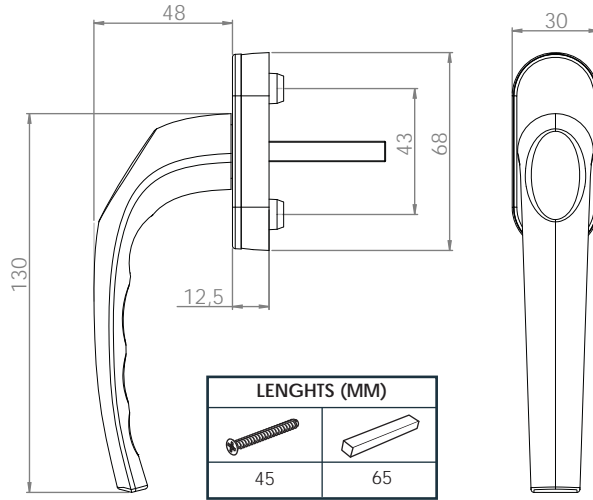





Handles For uPVC

● Ikon Window And Door Handles



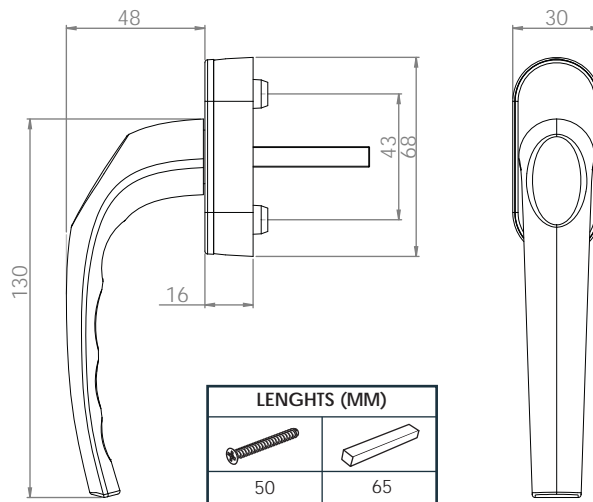
● Ikon Aluminium Window Handle






		Qty. 	Kg
AP011	2	100	16,20

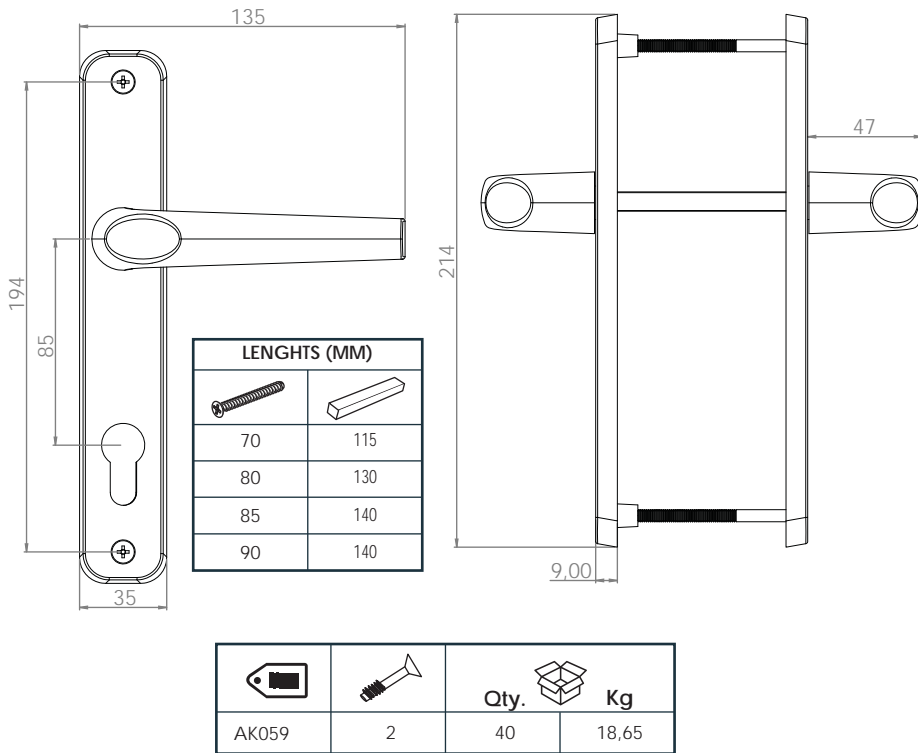


● Ikon Aluminium Acoustic Window Handle

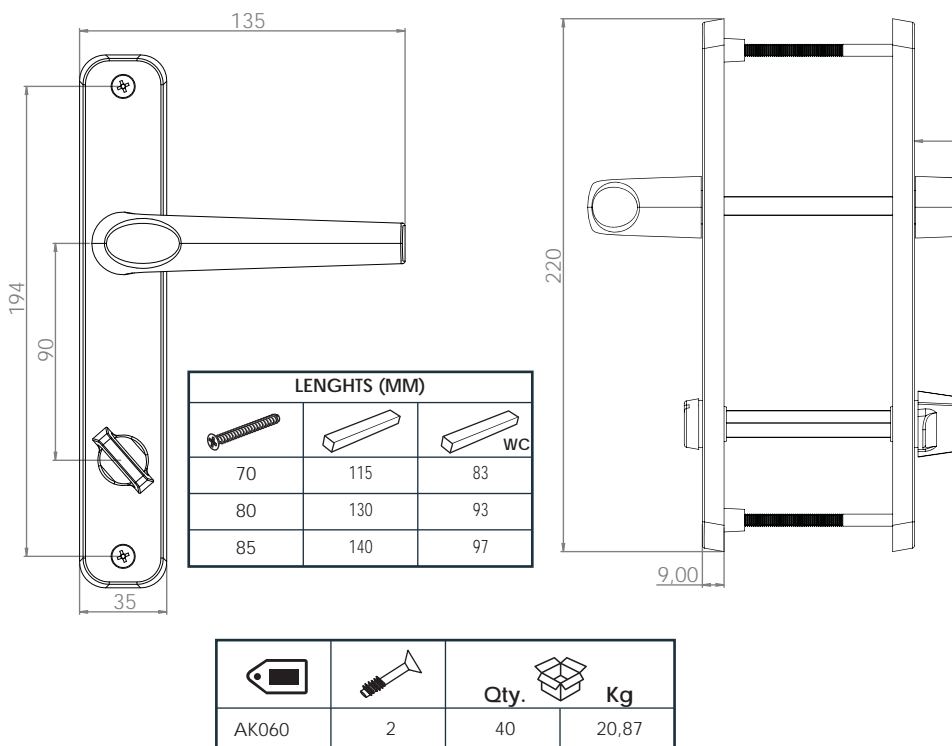


		Qty. 	Kg
AP012	2	100	16,30

Ikon Aluminium Door Handle ●
PZ: 85 mm Backset: 35 mm

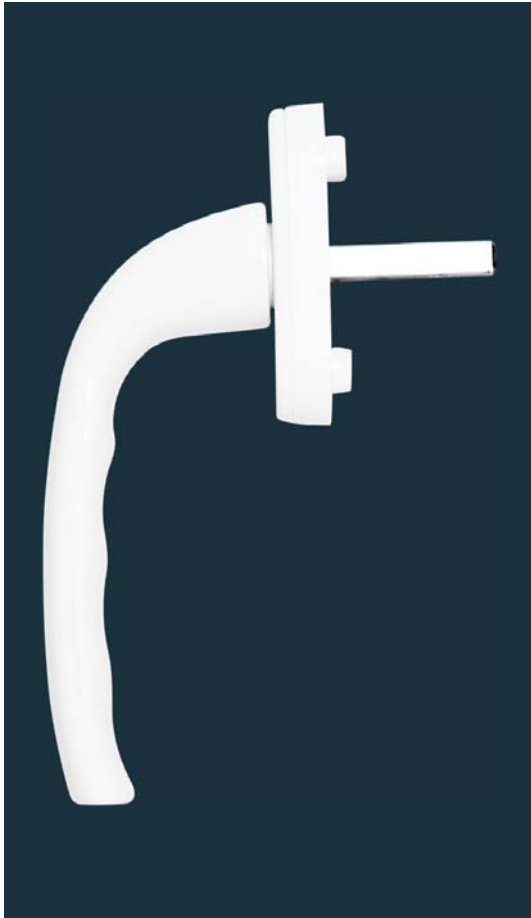


Ikon Aluminium WC Handle ●
PZ: 90 mm Backset: 35 mm

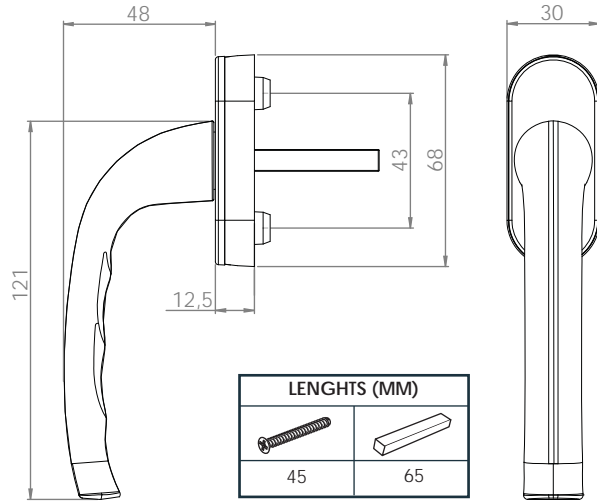


Handles For uPVC

● Mega Window And Door Handles



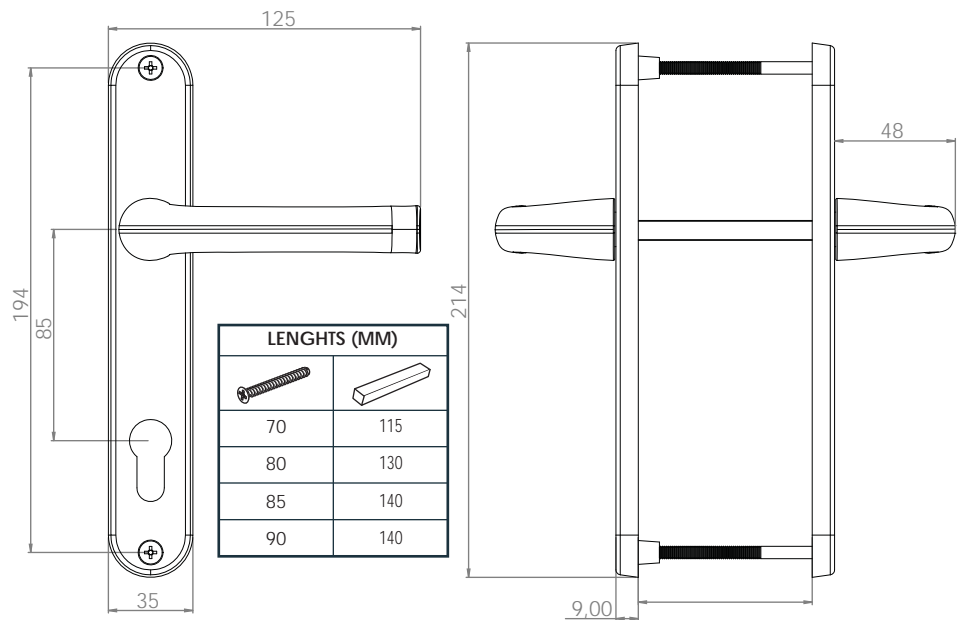
● Mega Aluminium Window Handle



		Qty.	Kg
AP010	2	40	14,22

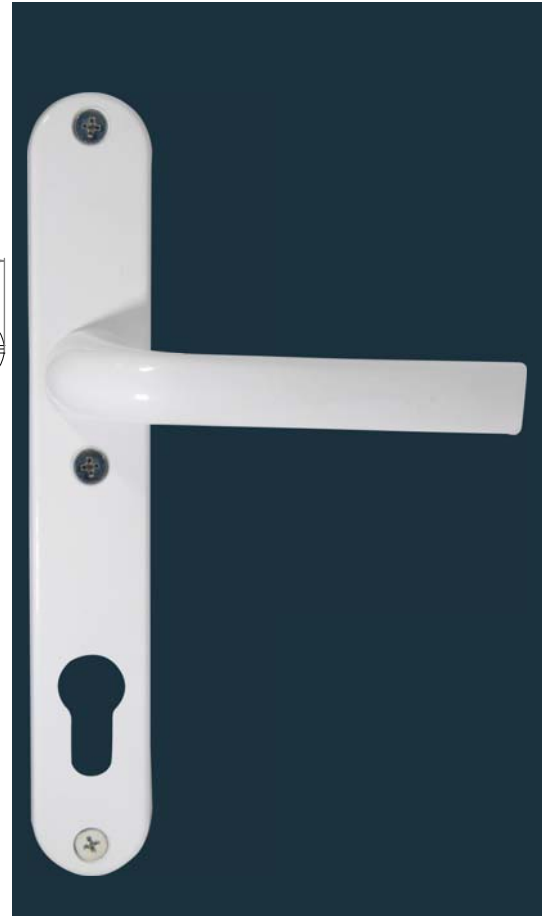
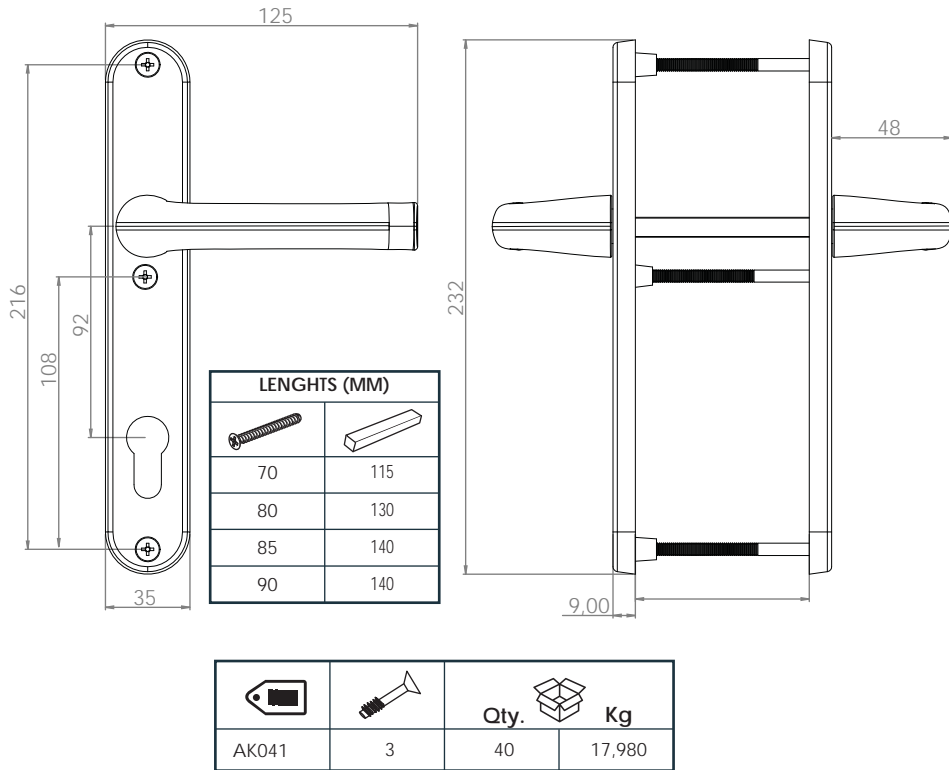


● Mega Aluminium Door Handle PZ: 85 mm Backset: 35 mm

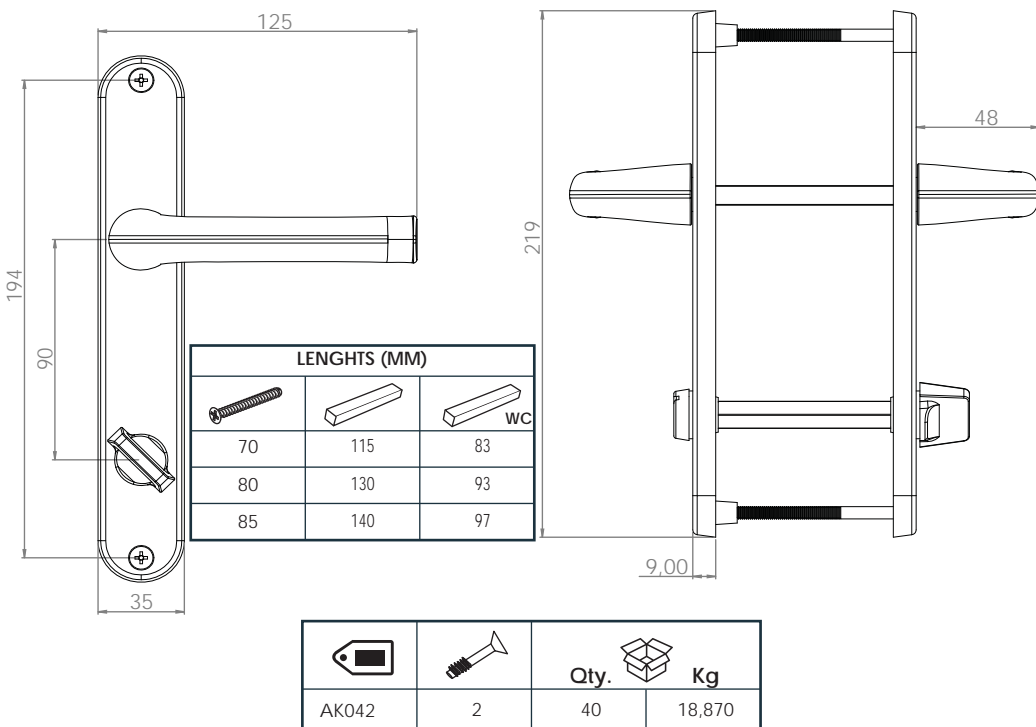


		Qty.	Kg
AK024	2	40	16,8

Mega Aluminium Door Handle ●
PZ: 92 mm Backset: 35 mm



Mega Aluminium WC Handle ●
PZ: 90 mm Backset: 35 mm

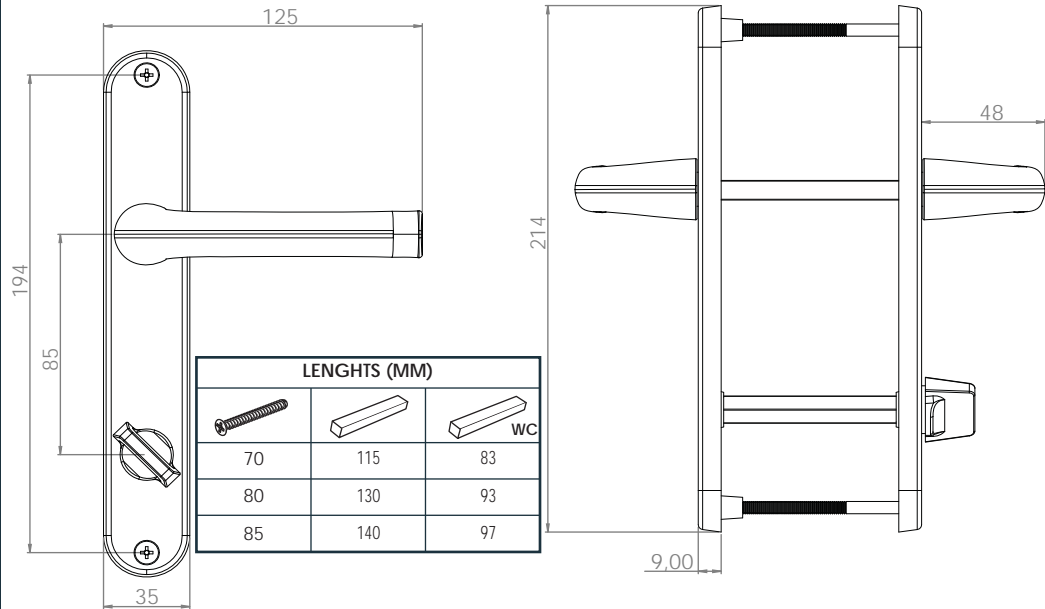


Handles For uPVC

Mega Window And Door Handles



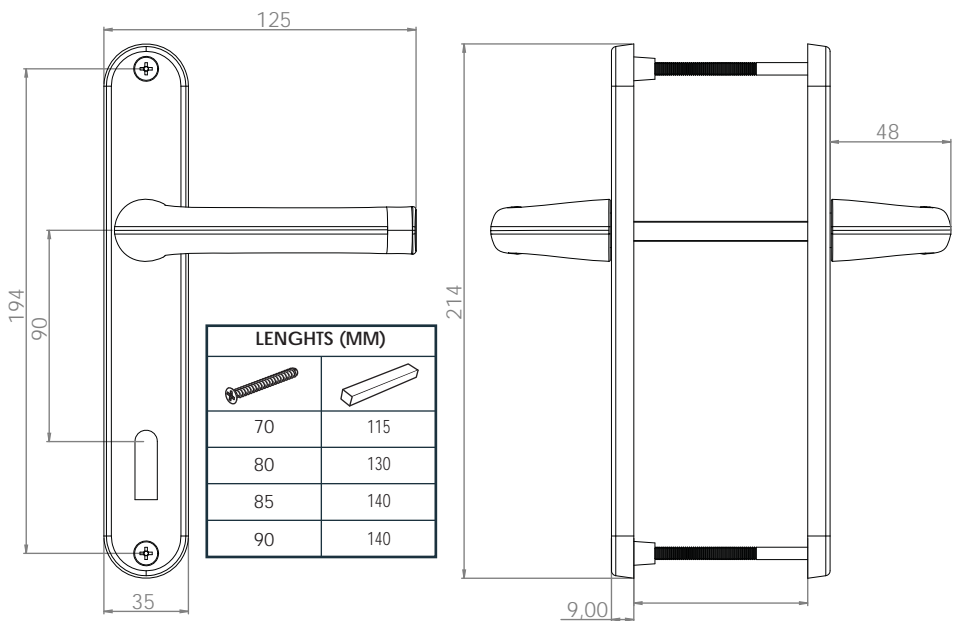
● Mega Aluminium Balcony Handle
PZ: 85 mm Backset: 35 mm



		Qty.	Kg
AK025	2	40	19,120



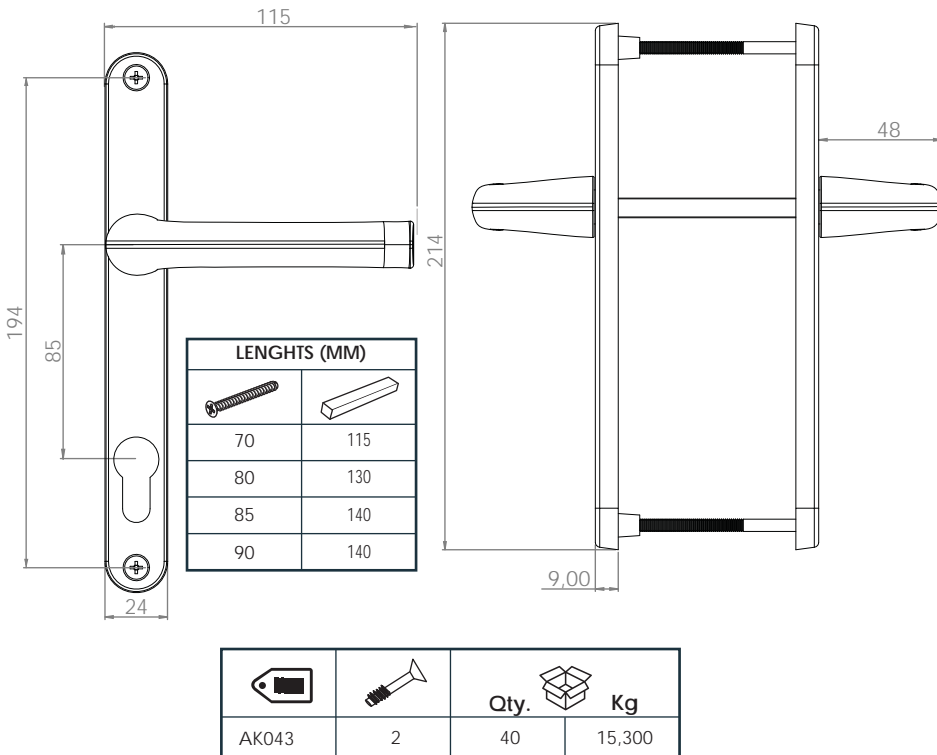
● Mega Aluminium Room Handle
PZ: 90 mm Backset: 35 mm



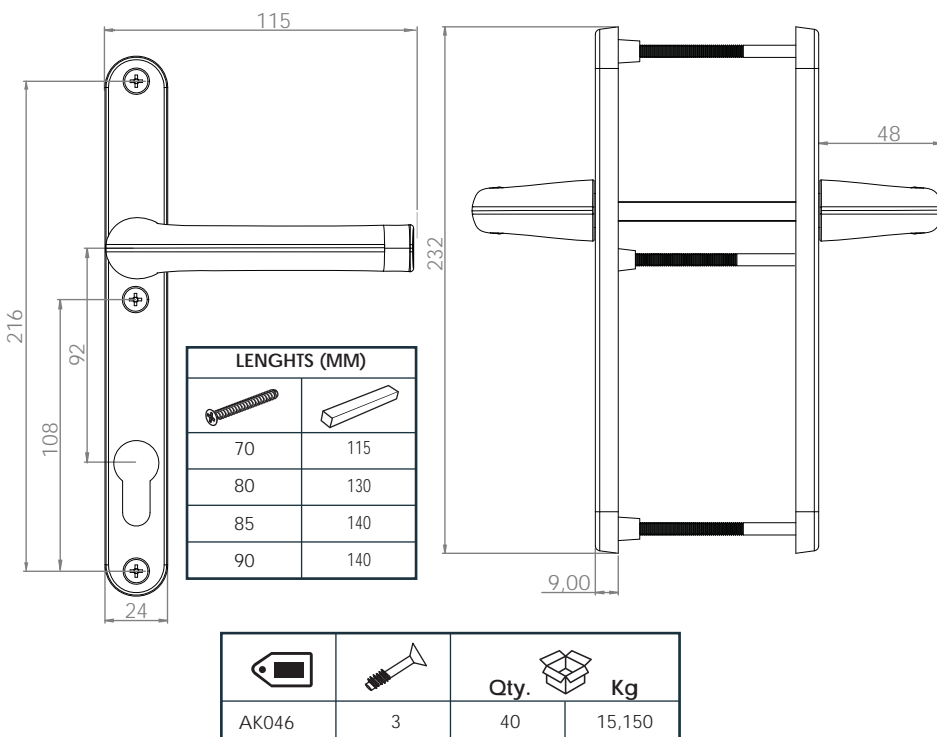
		Qty.	Kg
AK040	2	40	17,000

Mega Window And Door Handles

Mega Aluminium Door Handle (Without Spring) ●
PZ: 85 mm Backset: 24 mm



Mega Aluminium Door Handle (Without Spring) ●
PZ: 92 mm Backset: 24 mm

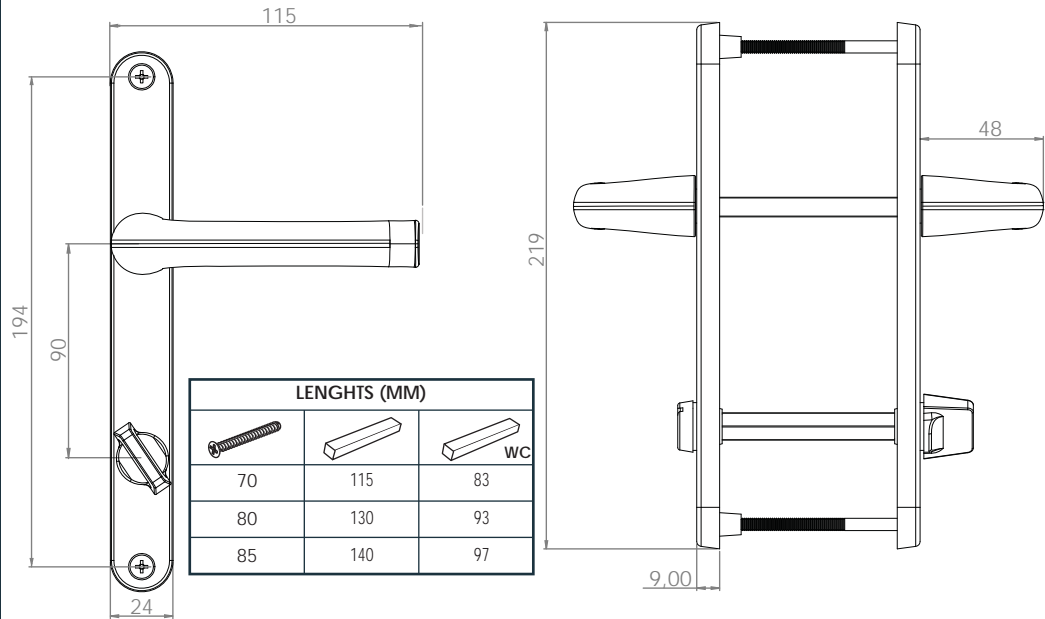


Handles For uPVC

Mega Window And Door Handles



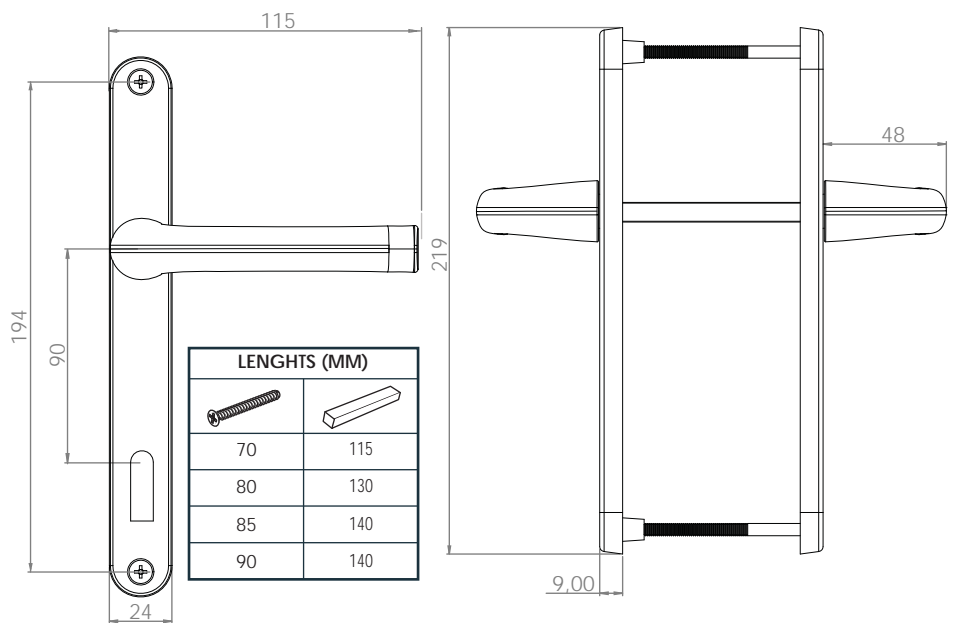
● Mega Aluminium WC Handle (Without Spring)
PZ: 90 mm Backset: 24 mm



		Qty.	Kg
AK044	2	40	17,650



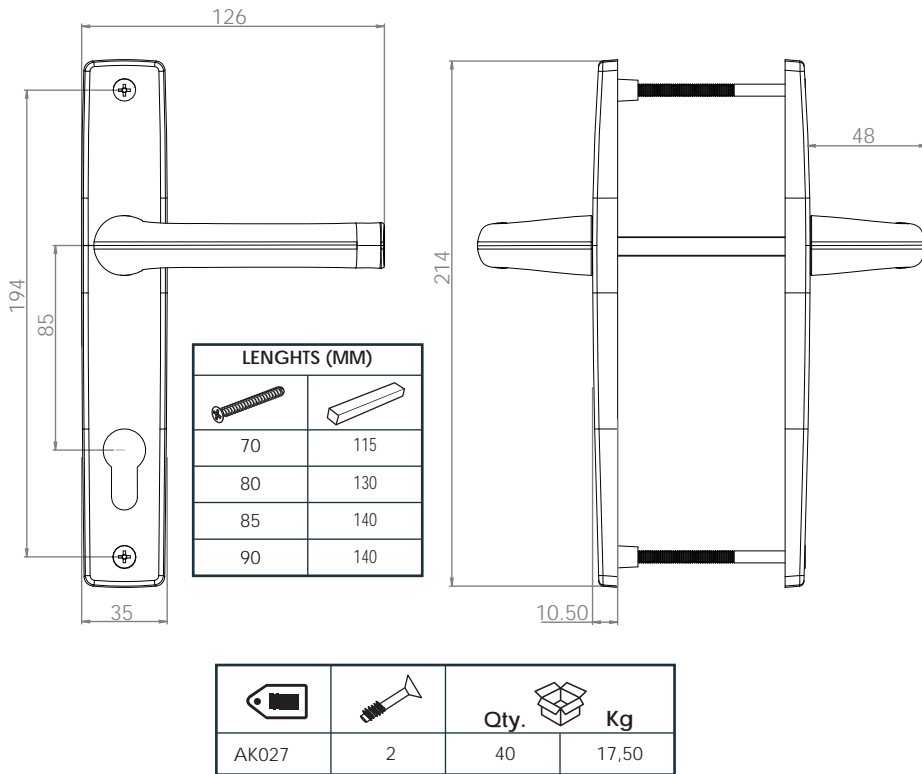
● Mega Aluminium Room Handle (Without Spring)
PZ: 90 mm Backset: 24 mm



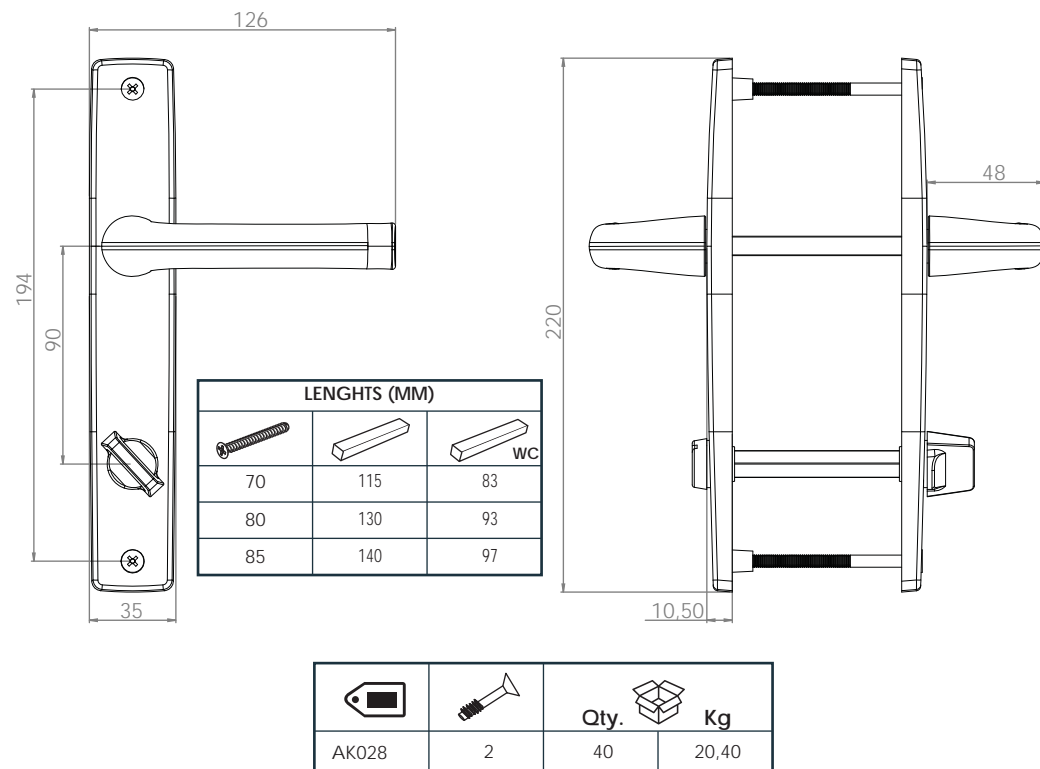
		Qty.	Kg
AK045	2	40	15,150

Beyza Window And Door Handles

Beyza Aluminium Door Handle ●
PZ: 85 mm Backset: 35 mm



Beyza Aluminium WC Handle ●
PZ: 90 mm Backset: 35 mm

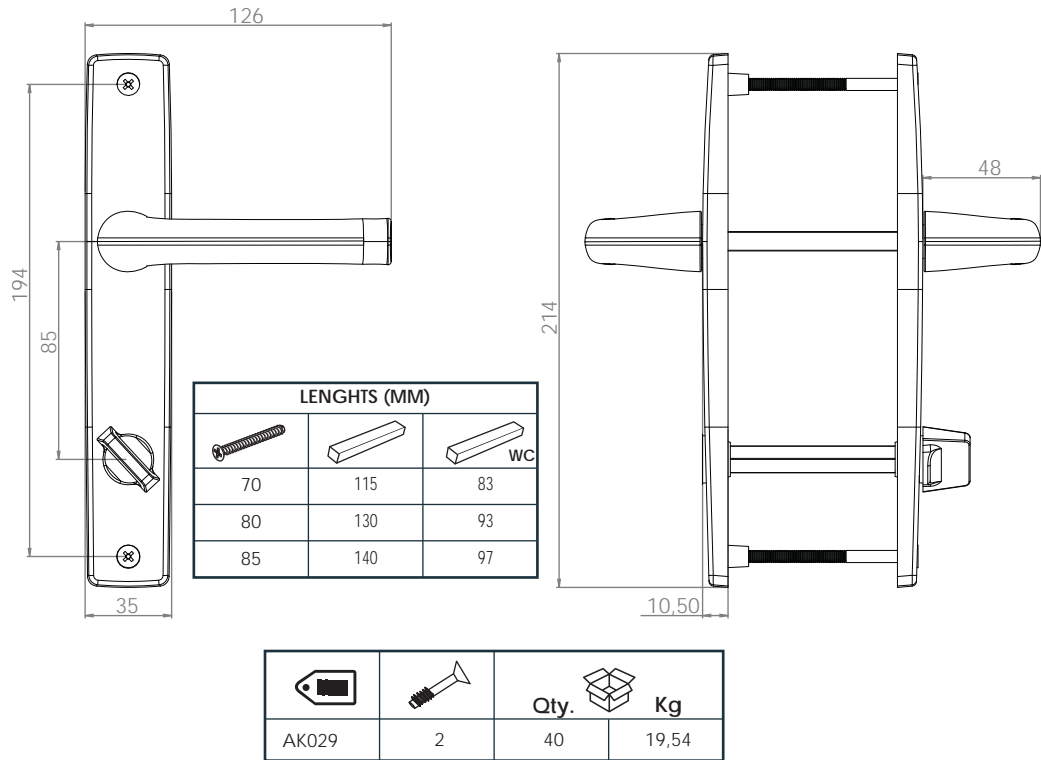


Handles For uPVC

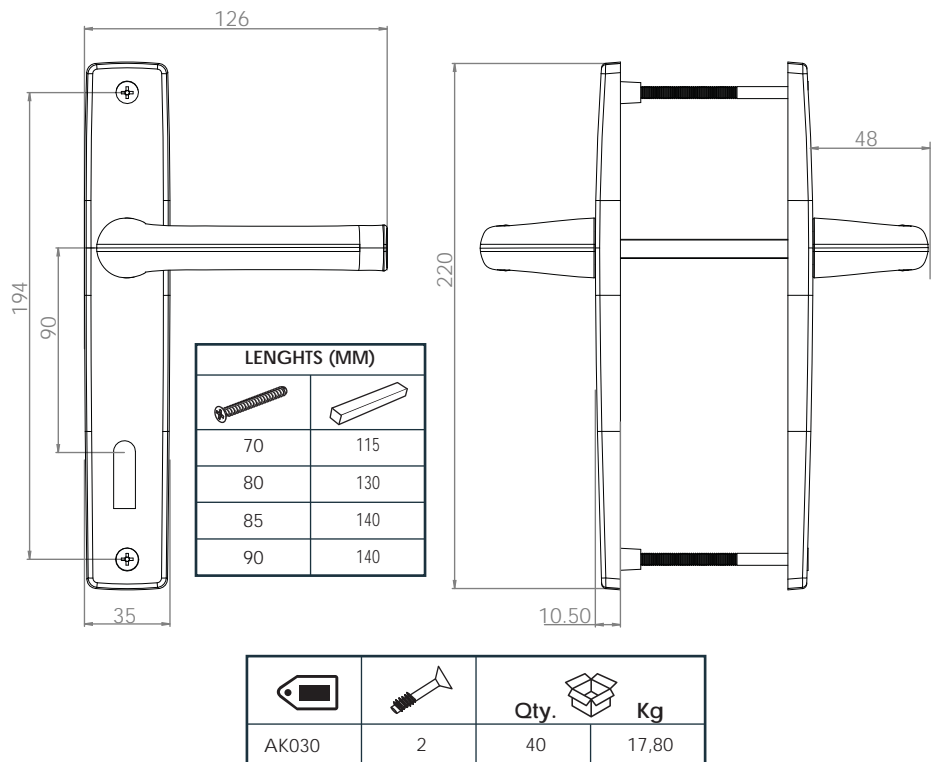
● Beyza Window And Door Handles



● Beyza Aluminium Balcony Handle
PZ: 85 mm Backset: 35 mm

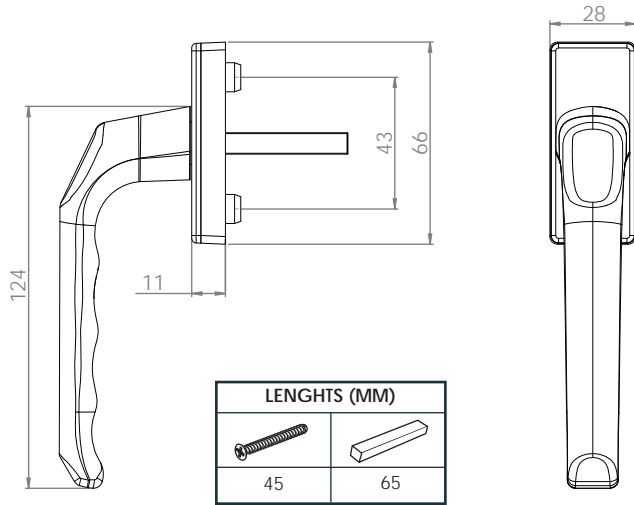



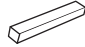
● Beyza Aluminium Room Handle
PZ: 90 mm Backset: 35 mm






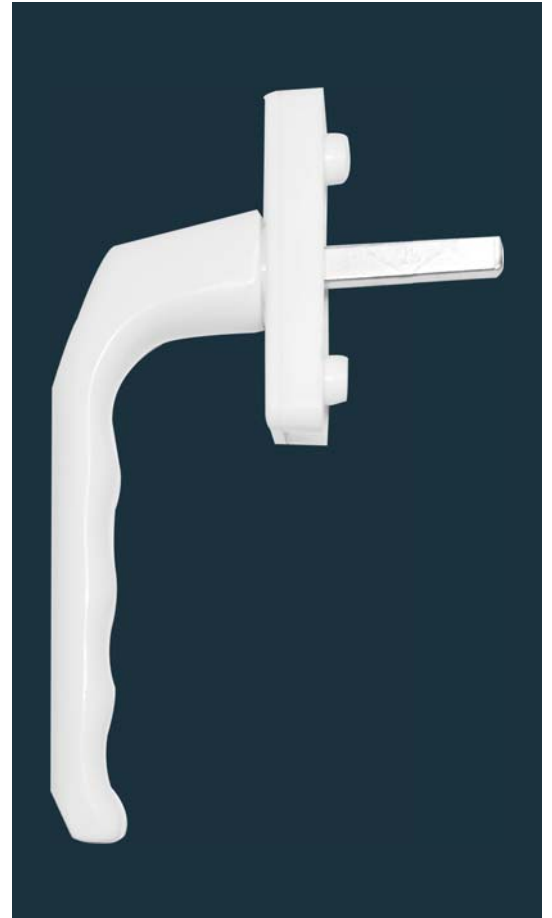
Pinar Window And Door Handles ●

Pinar Aluminium Window Handle ●

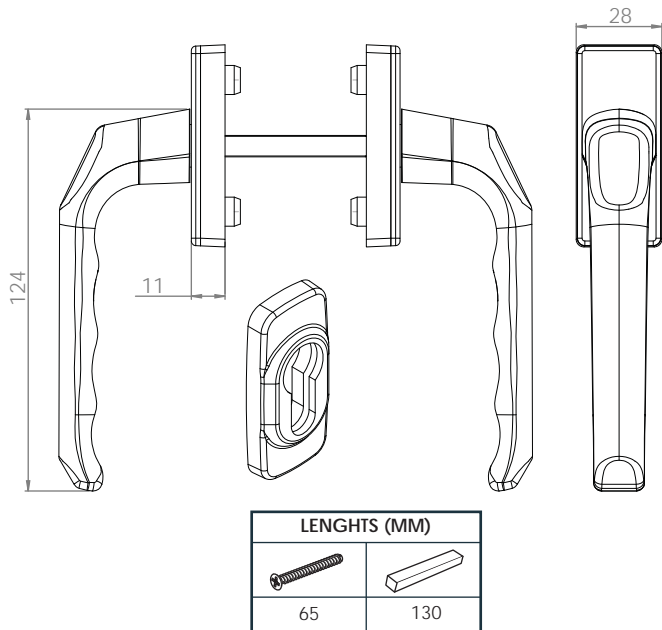




LENGTHS (MM)	
	
45	65




		Qty. 	Kg
AP005	2	100	14,59

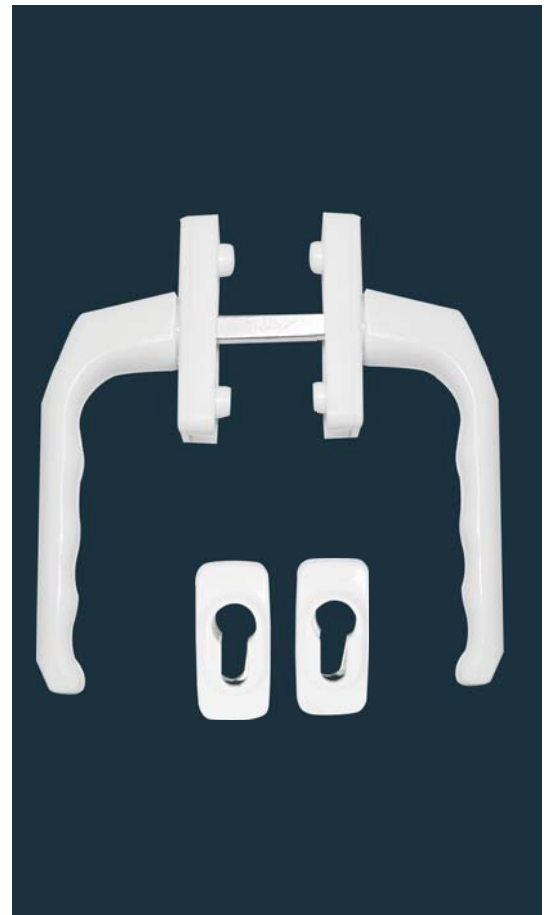


Pinar Aluminium Door Handle ●



LENGTHS (MM)	
	
65	130

		Qty. 	Kg
AA007	2	100	29,18

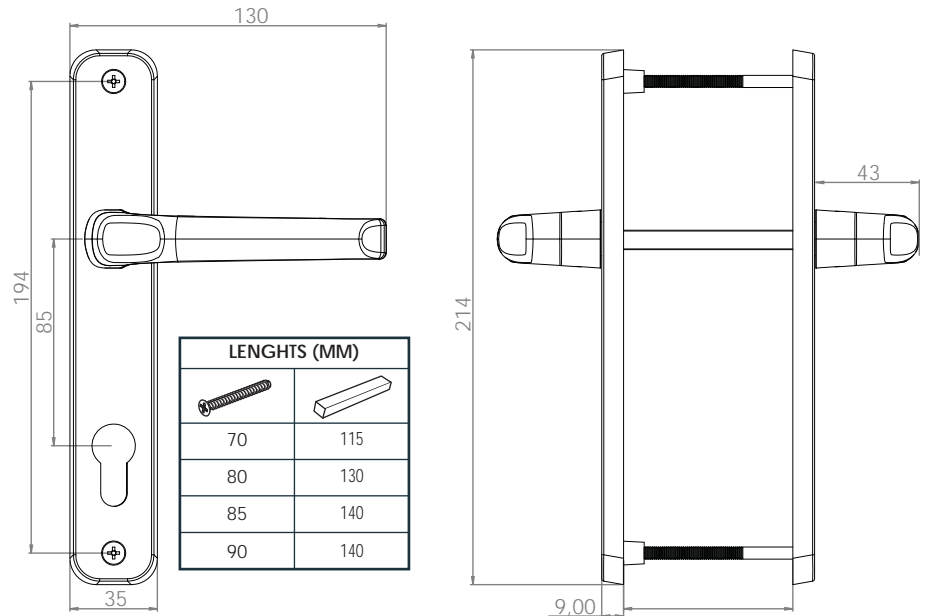


Handles For uPVC

● Pinar Window And Door Handles



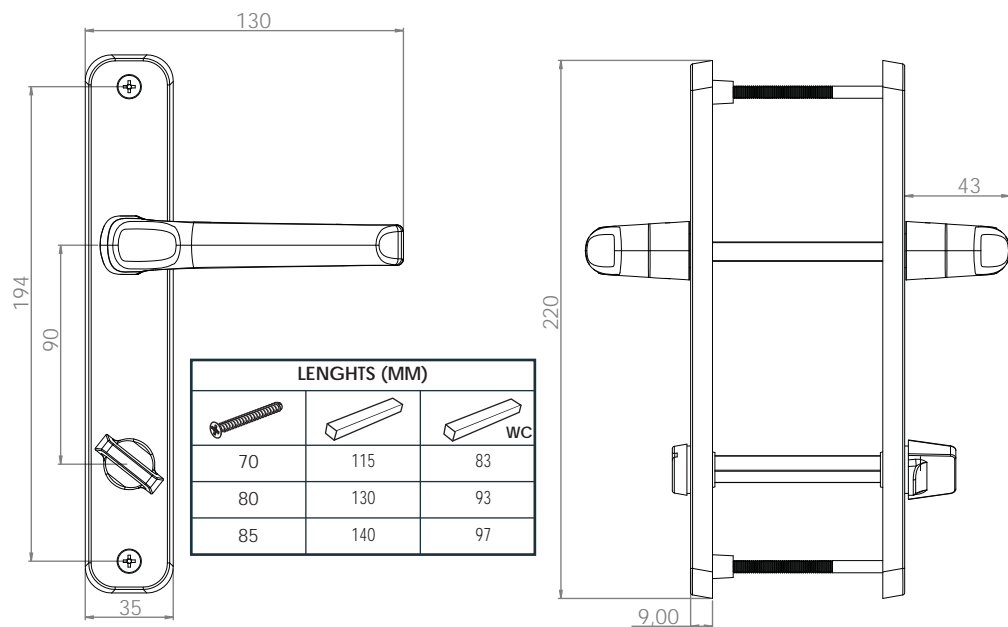
● Pinar Aluminium Door Handle
PZ: 85 mm Backset: 35 mm



		Qty.	Kg
AK051	2	40	17,80



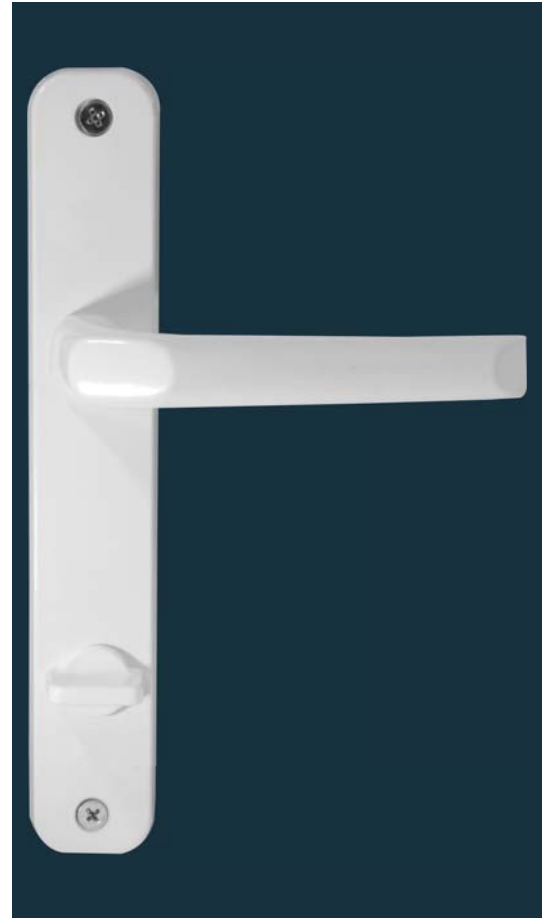
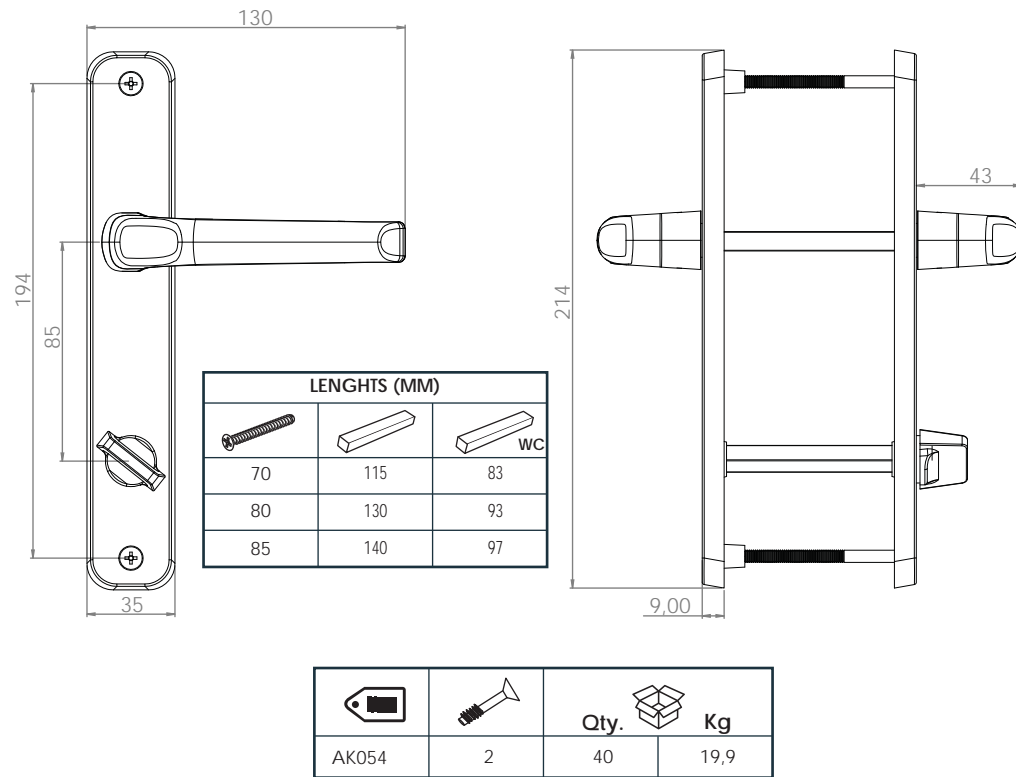
● Pinar Aluminium WC Handle
PZ: 90 mm Backset: 35 mm



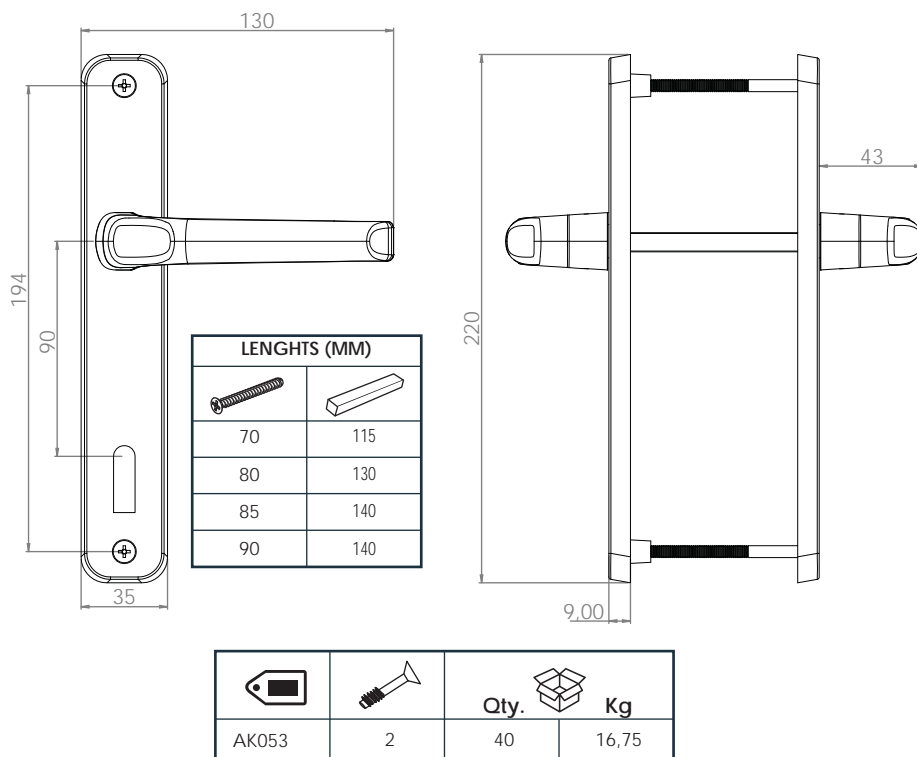
		Qty.	Kg
AK052	2	40	19,94

Pinar Window And Door Handles

Pinar Aluminium Balcony Handle ●
PZ: 85 mm Backset: 35 mm



Pinar Aluminium Room Handle ●
PZ: 85 mm Backset: 35 mm

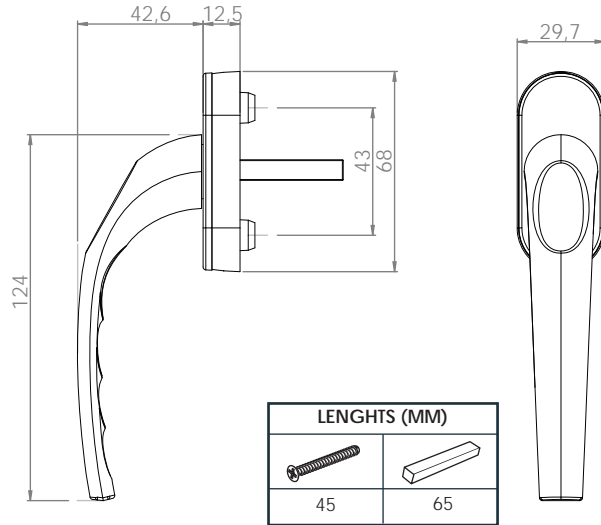


Handles For uPVC

● Bosna Window And Door Handles



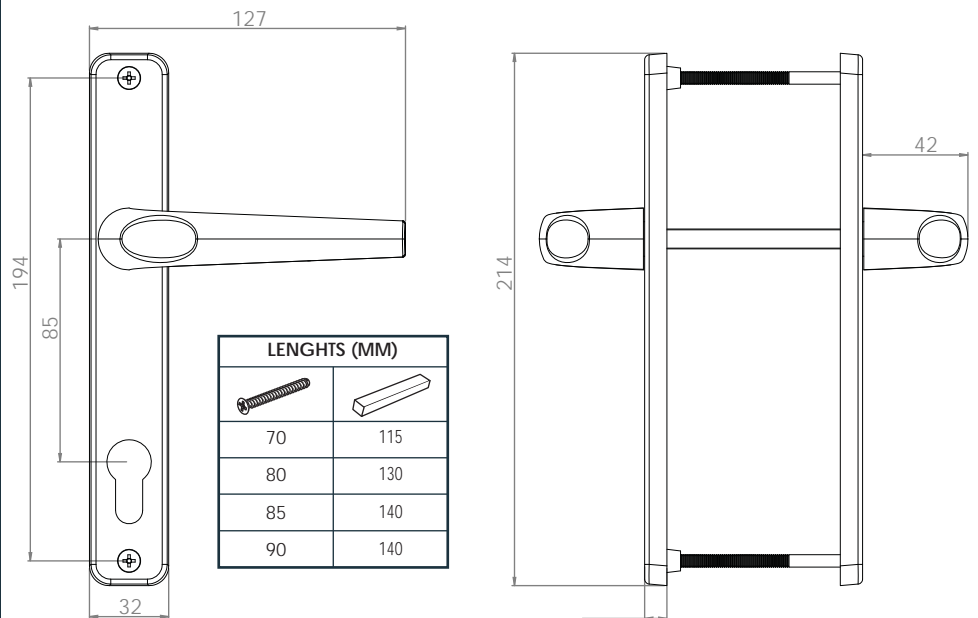
● Bosna Aluminium Window Handle



		Qty.	Kg
AP013	2	100	12,300

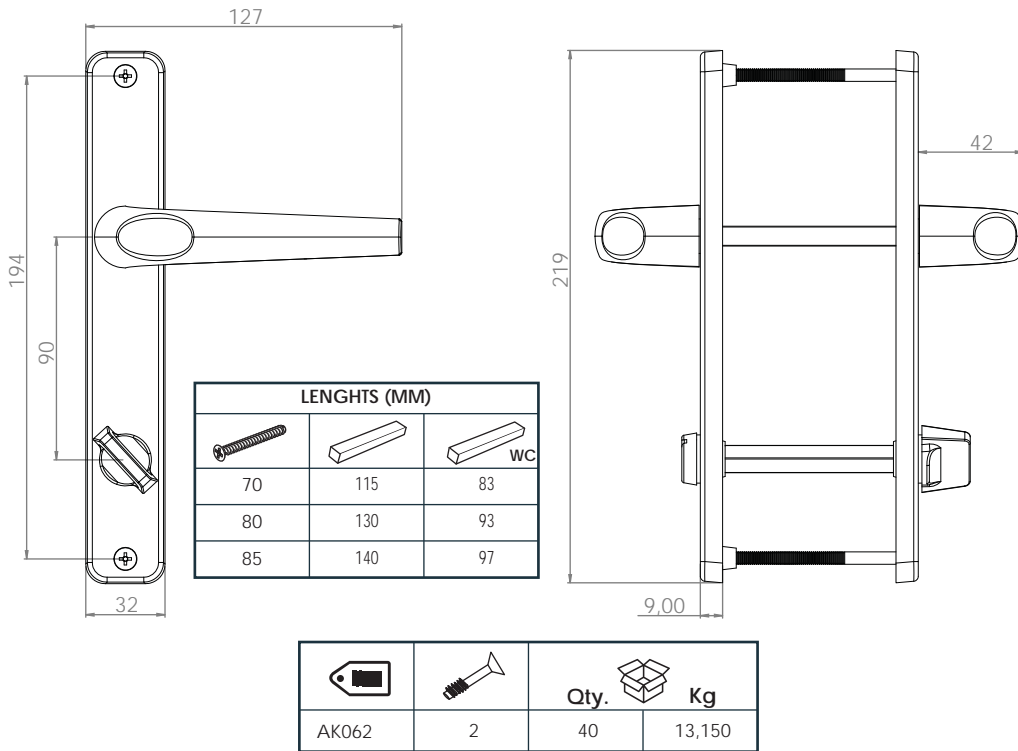


● Bosna Aluminium Door Handle
PZ: 85 mm Backset: 32 mm

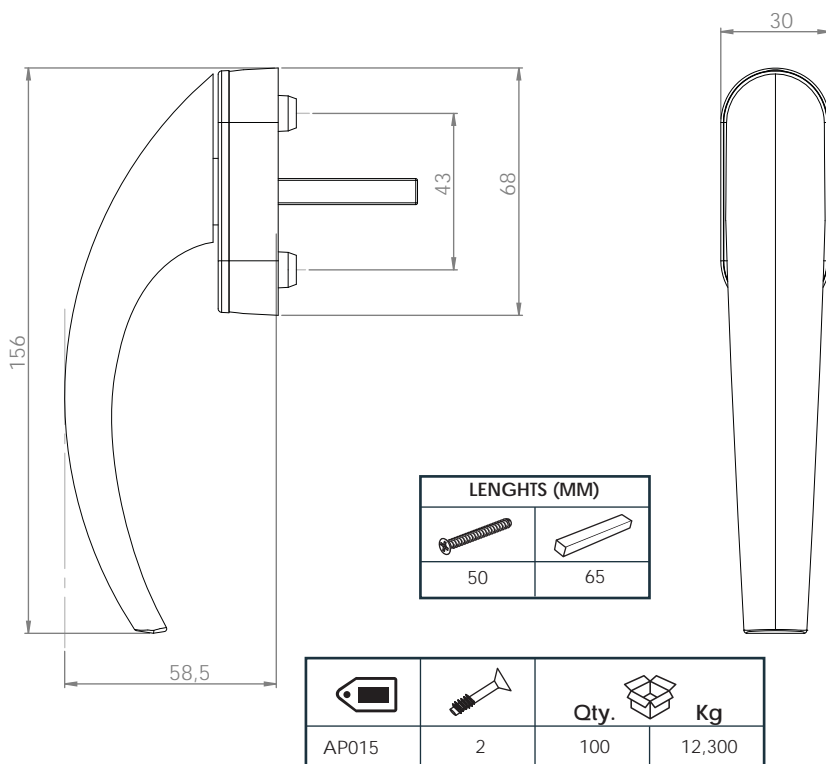


		Qty.	Kg
AK061	2	40	11,560

Bosna Aluminium WC Handle ●
PZ: 90 mm Backset: 32 mm



Alya Acoustic Window Handles ●

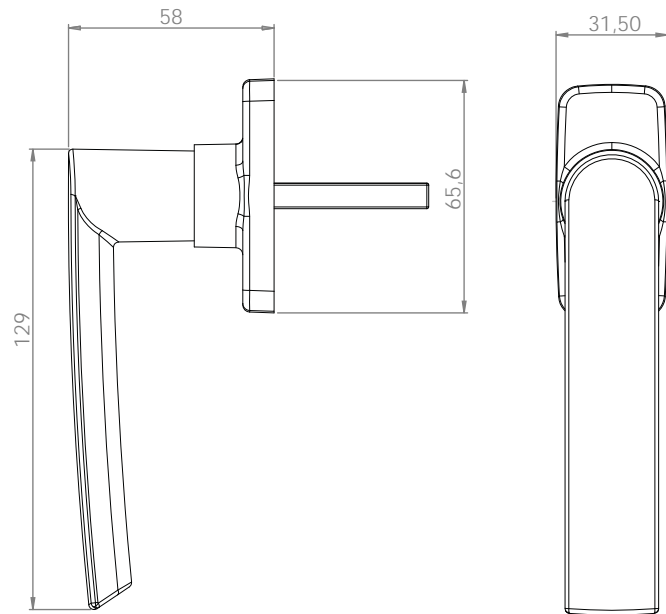


Handles For uPVC

Italy Window And Door Handles



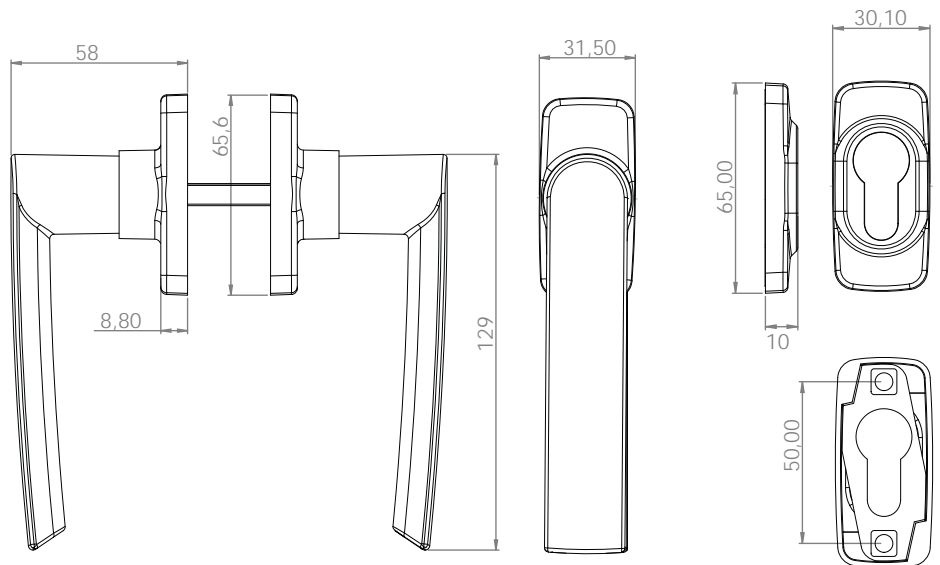
● Italy Aluminium Window Handle



		Qty.	Kg
AA001	2	50	14,30



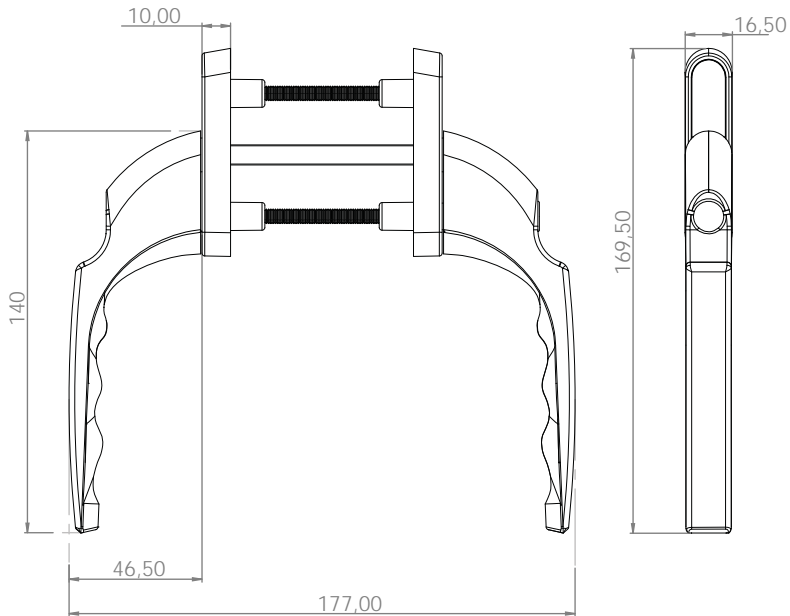
● Italy Aluminium Door Handle



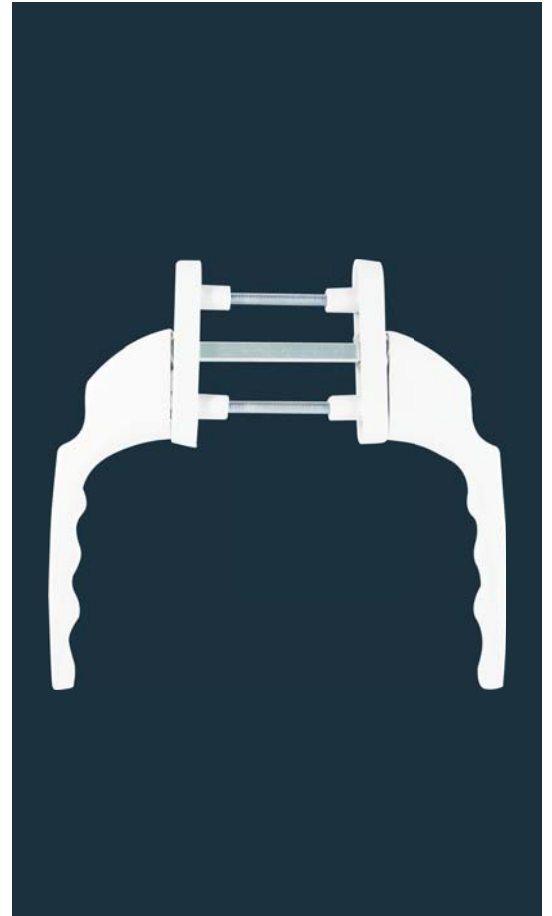
		Qty.	Kg
AA002	2	25	16

		Qty.	Kg
AA010	2	-	-

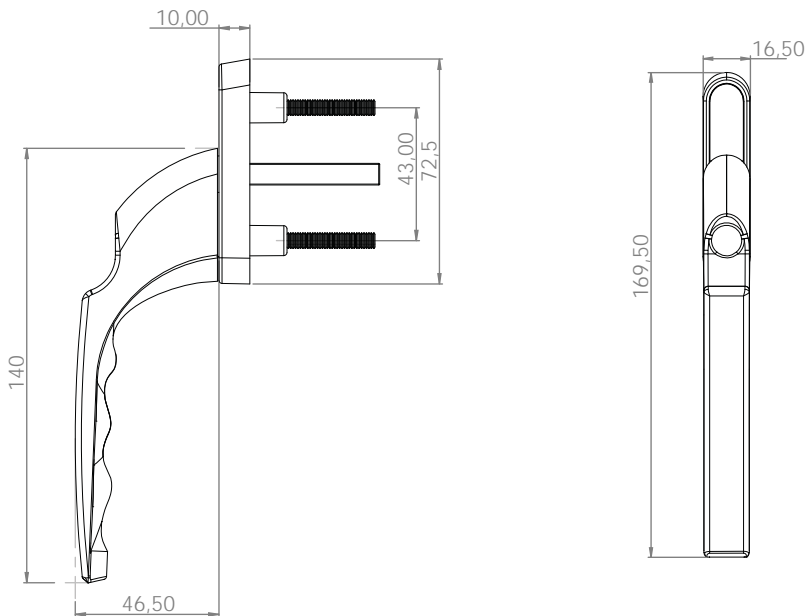
Double Side Outward Opening Handle ●



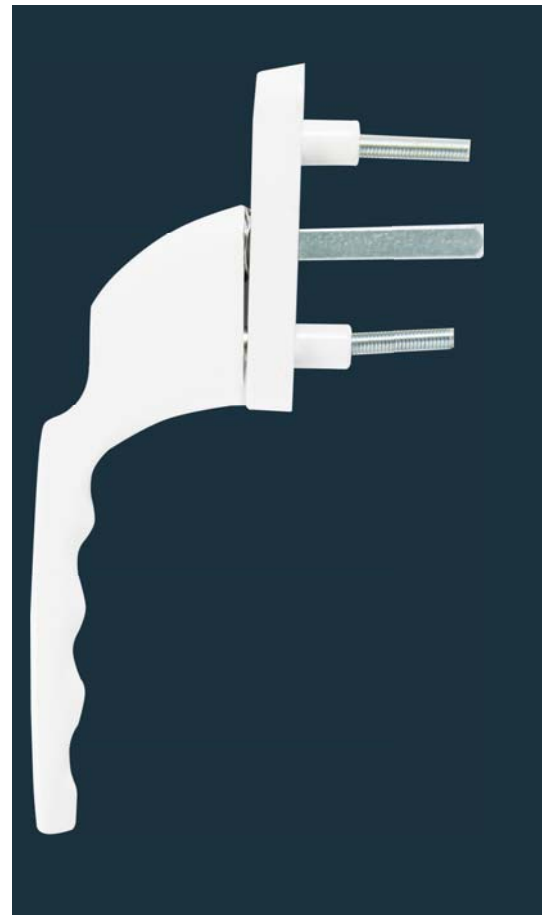
		Qty.		Kg
AA008	2	20		5,47



Outward Opening Window Handle ●

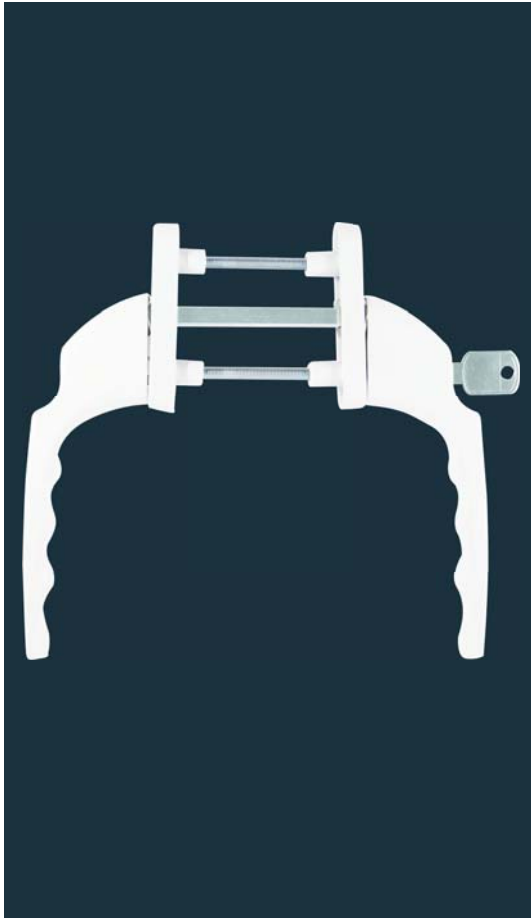


		Qty.		Kg
AA005	2	40		6

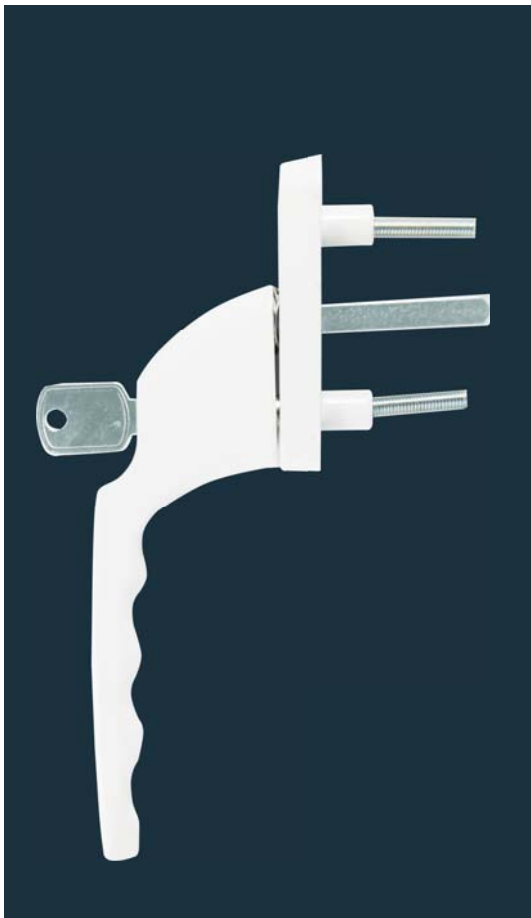
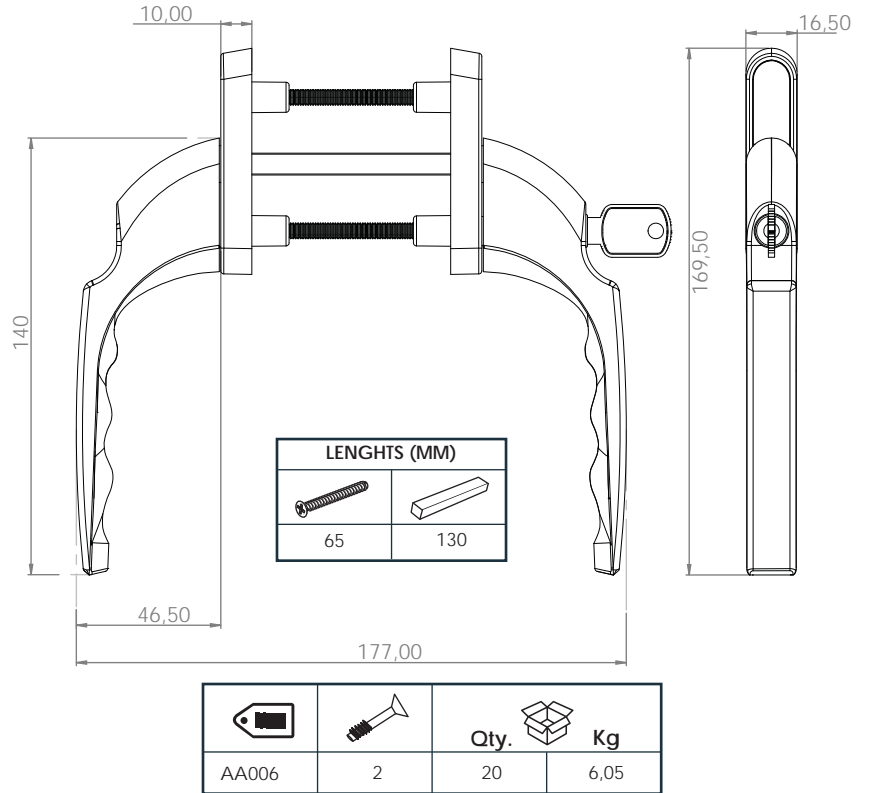


Handles For uPVC

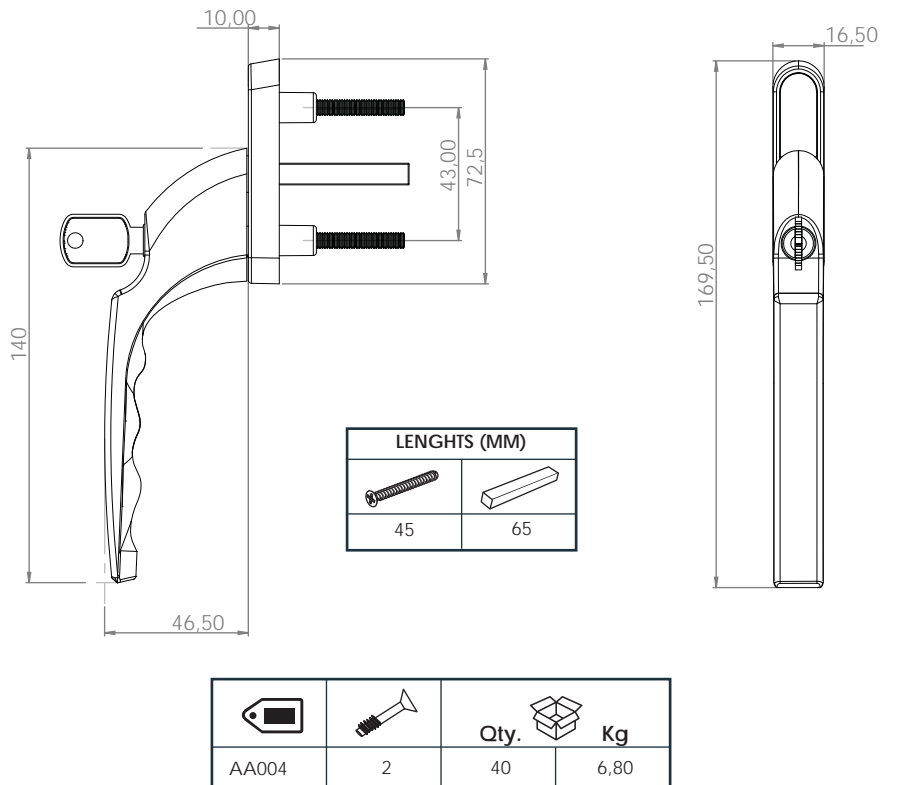
● Outward Opening Handles



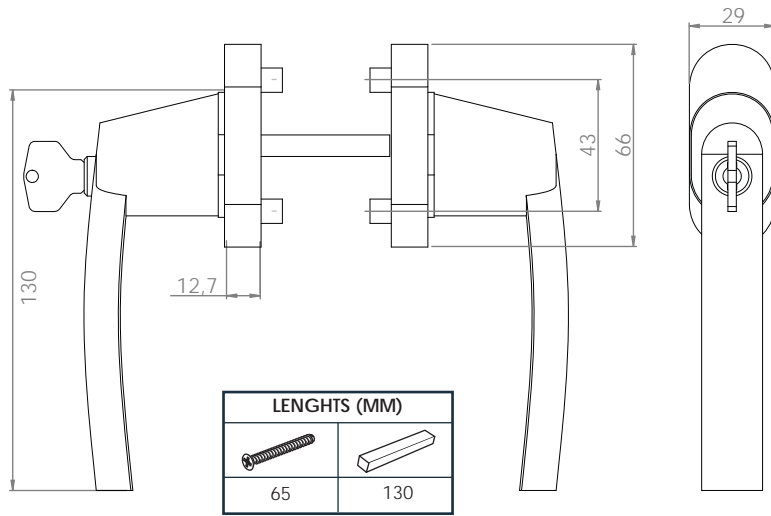
● Lockable Double Side Outward Opening Handle






● Lockable Outward Opening Handle



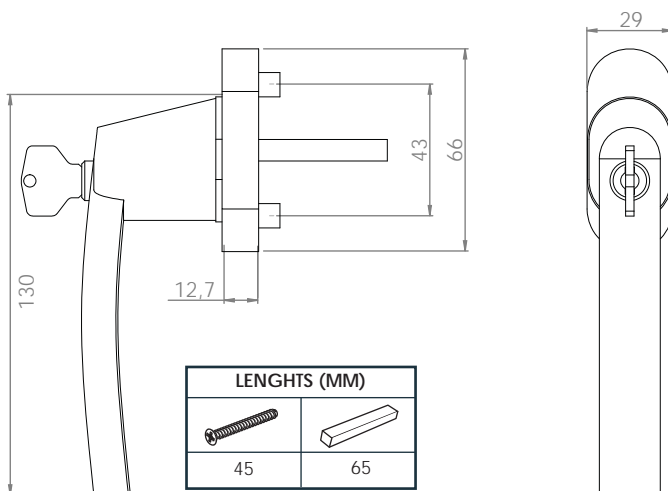
Lockable Double Side Handle (Lux) ●






		Qty. 	Kg
AP009	2	40	19,50



Lockable Handle (Lux) ●



		Qty. 	Kg
AP004	2	80	20,40

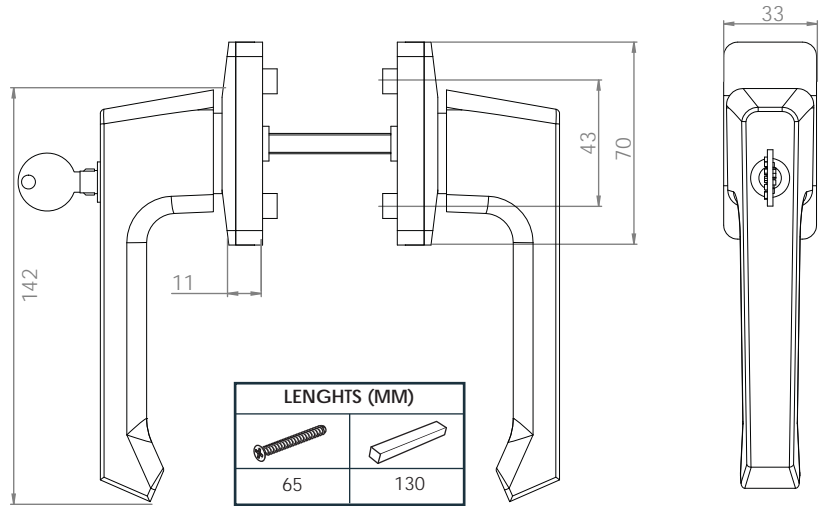


Handles For uPVC

● Lockable Handles



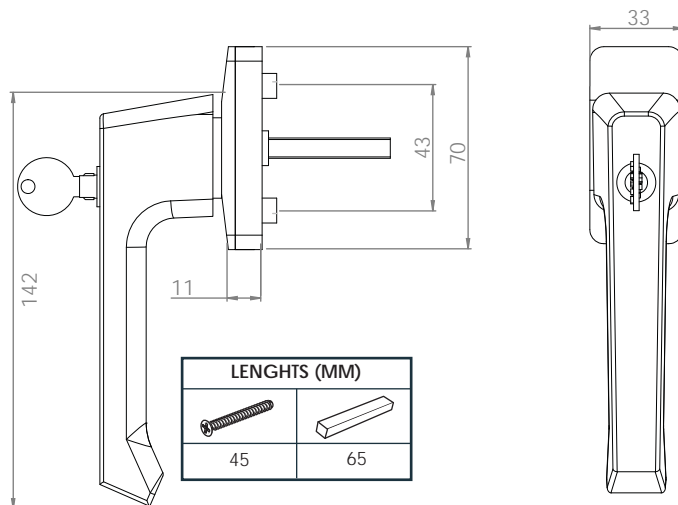
● Lockable Double Side Handle



		Qty.	Kg
AP002	2	30	15,80

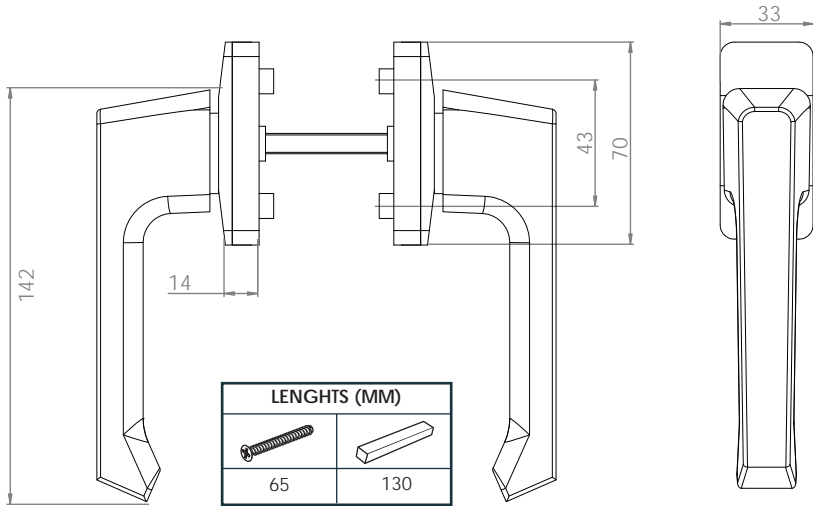


● Lockable Handle

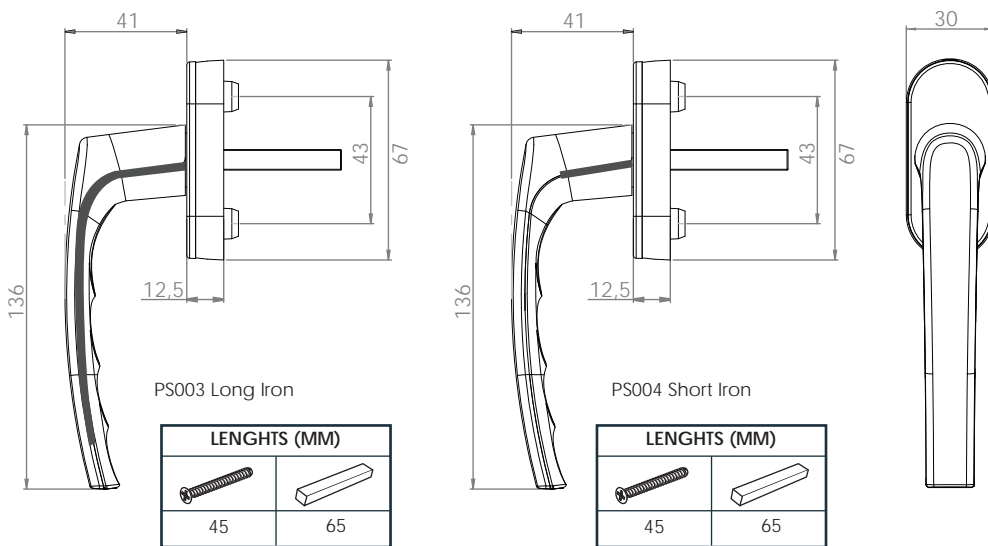


		Qty.	Kg
AP001	2	75	20,30

Double Side Handle ●



Plastic Window Handle ●

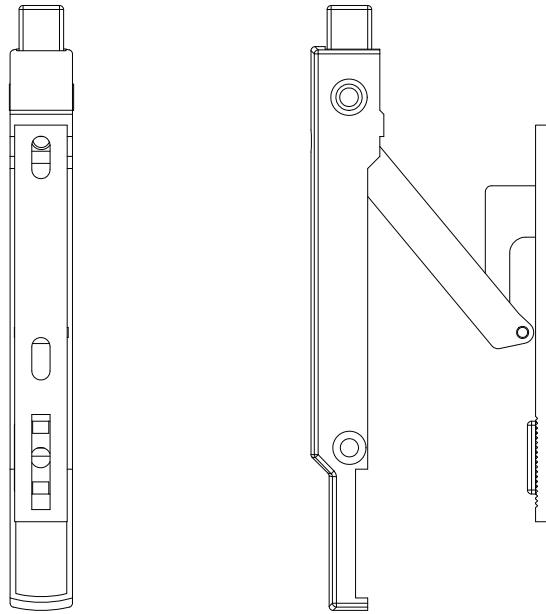





Safety Latches

- Safety Latches



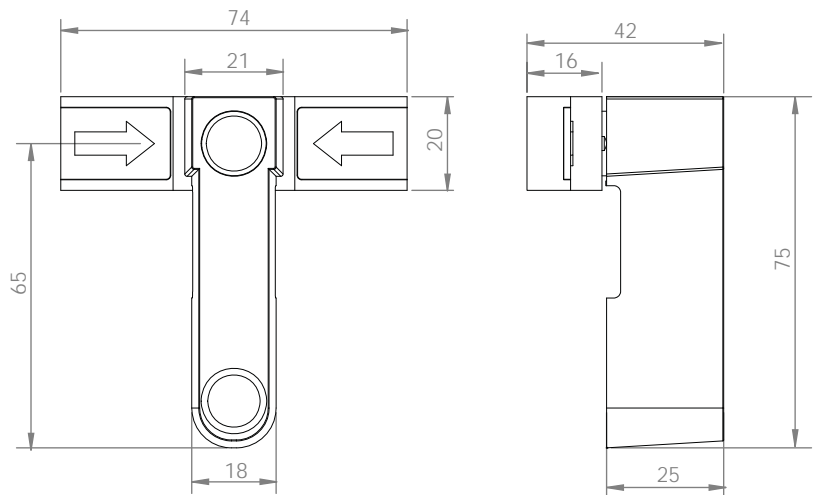
- Safety Ventilation Latch






		Qty. 	Kg
EMN006	5	50	8,40

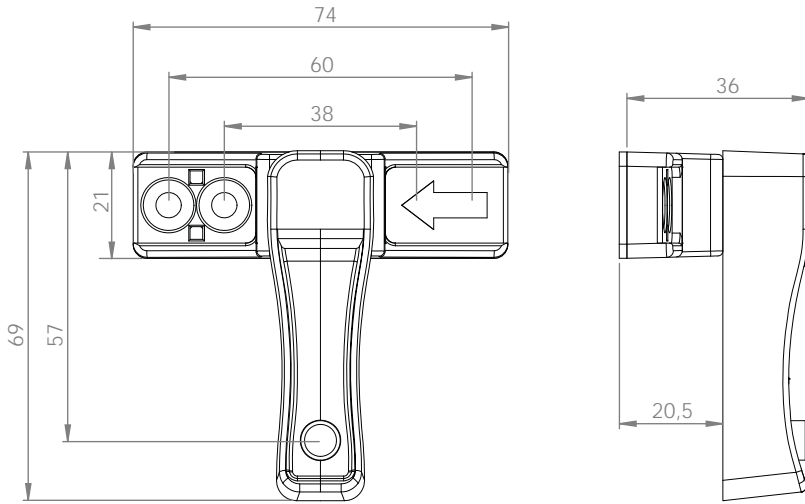





- Safety Latch



		Qty. 	Kg
EMN003	4	50	10

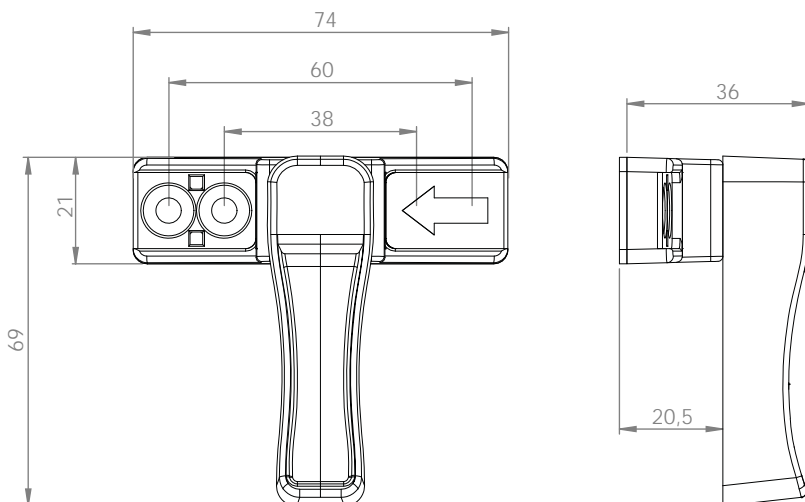
Lockable Safety Latch ●






		Qty. 	Kg
EMN004	4	50	6,98



Safety Latch ●



		Qty. 	Kg
EMN005	4	1000	6,48

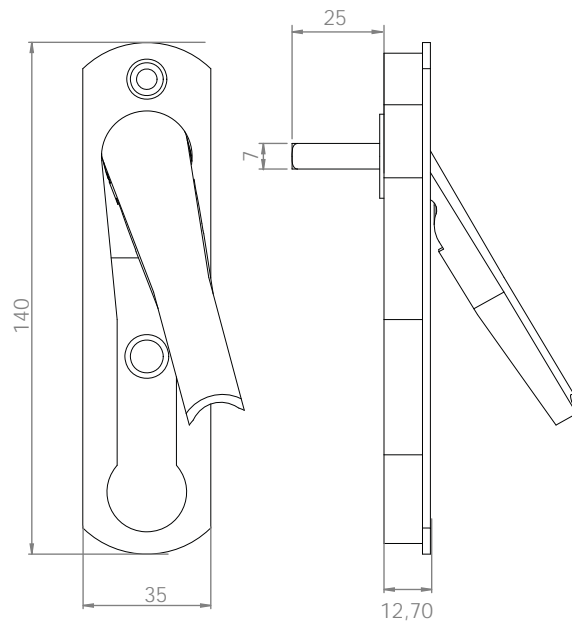





Handles For uPVC

● Pop-Up Handles



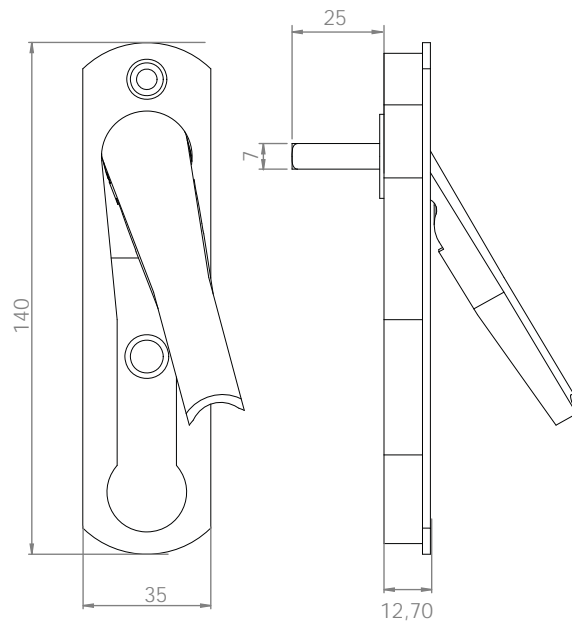
● Pop-Up Handle Steel






		Qty. 	Kg
SA033	2	50	9,60

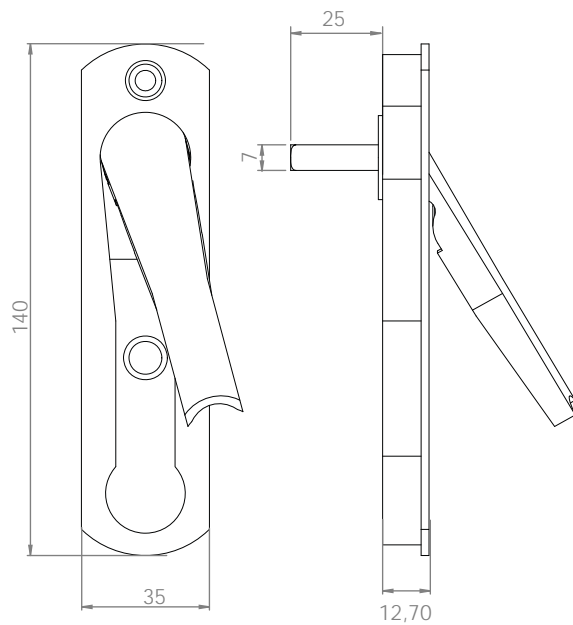





● Pop-Up Handle Zinc



		Qty. 	Kg
SA016	2	50	9,60

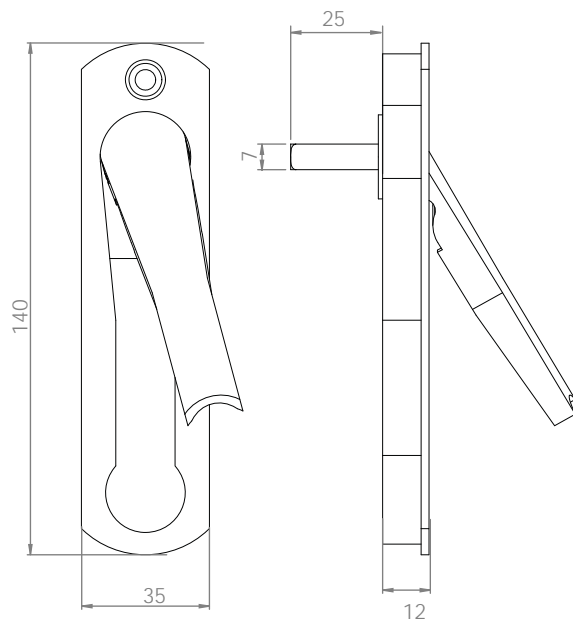
Pop-Up Handle Aluminium ●






		Qty. 	Kg
SA030	2	50	5,20



Pop-Up Handle Plastic ●



		Qty. 	Kg
SA042	2	50	-

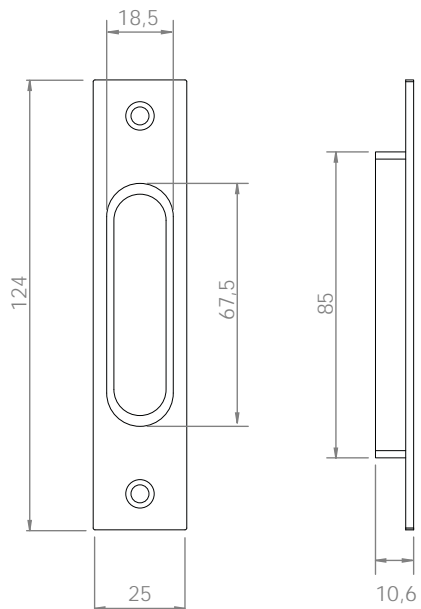


Handles For uPVC

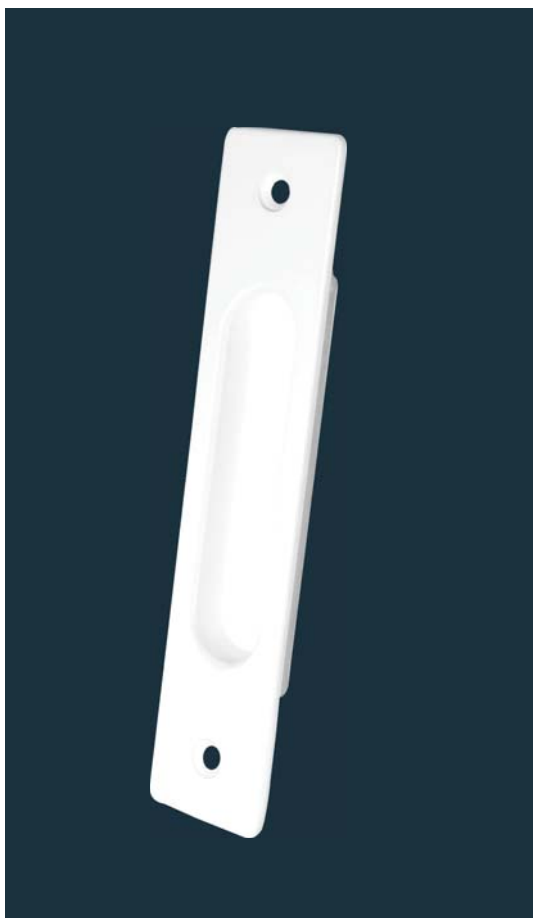
Other Handles



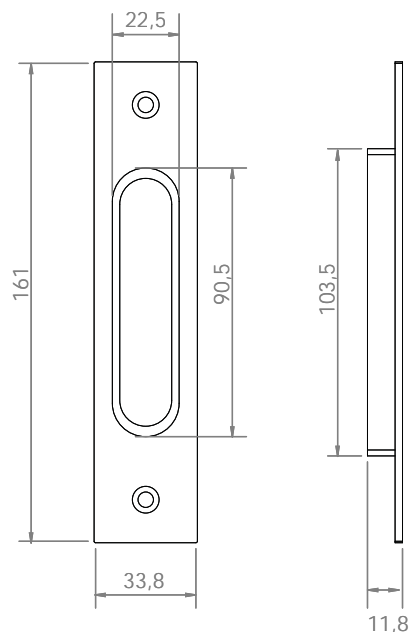
● Sliding Handle (POOL) Inlaid Small



		Qty.	Kg
SA024	2	200	6,15

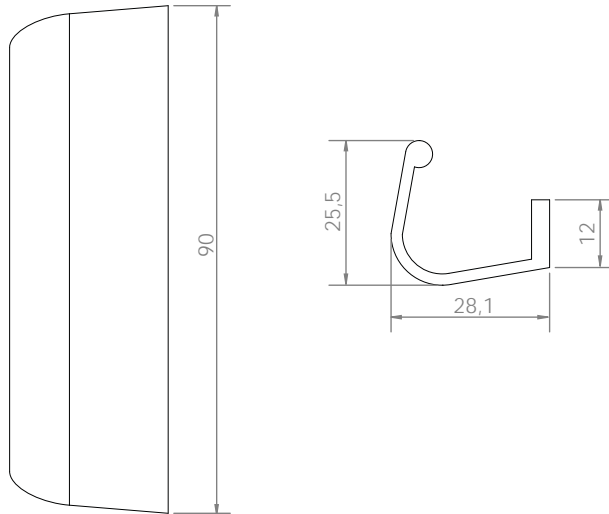





● Sliding Handle (POOL) Inlaid Big



		Qty.	Kg
SA025	2	100	6,2

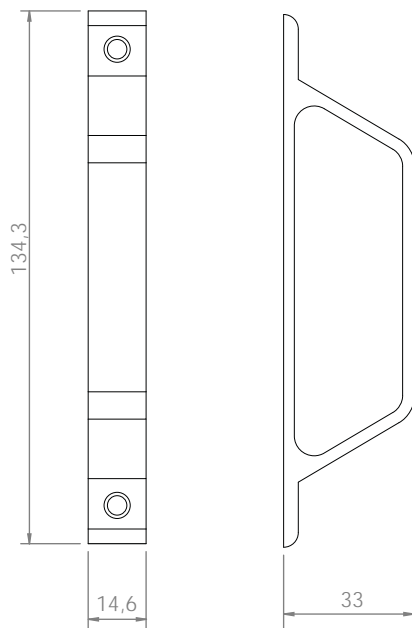
Sliding Handle C Type ●






		Qty. 	Kg
SA015	2	250	7,65



Sliding Handle D Type ●



		Qty. 	Kg
SA023	2	250	9,50



Strikers

- Strikers



ZK001
Pakpen



ZK002
Fıratpen Single



ZK002 EKO
Fıratpen Single Eco



ZK003
Fıratpen Double



ZK004
Pimaş 6000



ZK004 EKO
Pimaş 6000 Eco



ZK005
Pimaş 4500



ZK005 EKO
Pimaş 4500 Eco



ZK006
Asaş Pen Window Double



ZK007
Asaş Pen Window Single



ZK008
Asaşpen Door



ZK009
Asaş Pen Eco 5200



ZK010
Asaş Pen 6040



ZK011
Akapen Astra



ZK012
Akapen Vega Double



ZK013
Europen



ZK014
Everest



ZK015
Filpen



ZK016
Kompen Door



ZK018
BR Yıldız



ZK020
Pimaş 6000 Double Hole



ZK020 EKO
Pimaş 6000 Double Hole ECO



ZK021
Pimaş 4500 Double Hole



ZK021 EKO
Pimaş 4500 Double Hole Eco



ZK022
Alfapen Armada



ZK023
Double Sash Striker. ST34



ZK024
Plastline



ZK026
Kompen Termoline



ZK029
Aplas



ZK032
Egepen Max Zendow



ZK037
Pakpen Global



ZK040
Pakpen Global New



ZK041
Aluminium Profile Striker 13Axis



ZK042
Aluminium Profile Striker 9 Axis



SA013
Metal Sliding Striker
Of Espag. (Universal)



SA014
Zinc Striker For Opening
Of Espag. (Adopen)



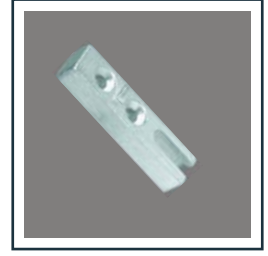
SA020
Metal Sliding Striker
Of Espag.(Universal)
Plastic



SA032
Metal Sliding Striker
Of Espag.(Universal)
With Claw



SA035
Zinc Striker For Opening
Of Espag. (Firatpen) New



SA041
Zinc Striker For Opening
Of espag. (Universal)

Mullion Connectors

- Mullion Connectors



OB116 32 mm
Steel Mullion Connectors



OB117 34 mm
Steel Mullion Connectors



OB118 36 mm
Steel Mullion Connectors



OB120 38 mm
Steel Mullion Connectors



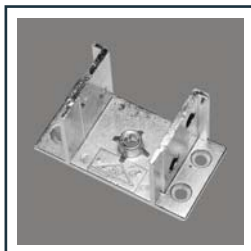
OB115
Pakpen Eko 60



OB122
Pakpen 60-70 Integral



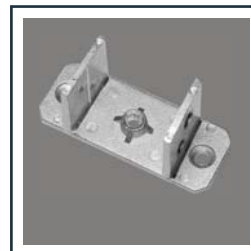
OB001
Pimaş General



OB005
Teknoplast Startec



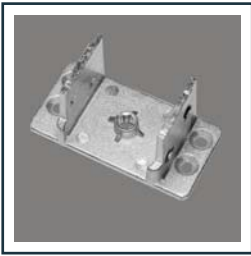
OB007
Taurus Best



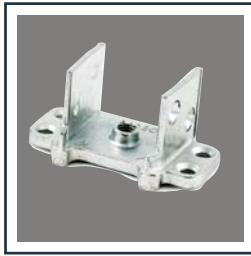
OB009
Asaşpen 5200 Eco



OB010
Shönline Linex 60-70



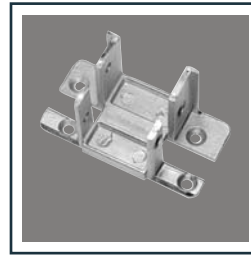
OB013
Euroline



OB014
Fratpen 6060



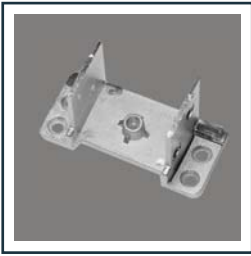
OB015
Teraplast 6 Section



OB016
Kompen200 Superline



OB017
Windoline



OB020
Asaşpen 6022



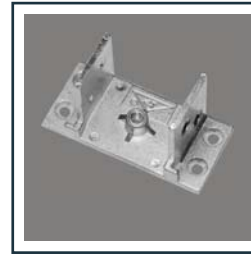
OB021
Erpen Smarline 62



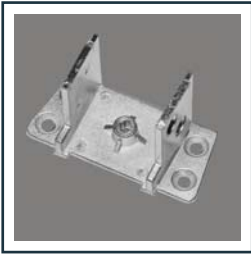
OB022
Flashpen



OB023
Pentech



OB024
Taurus Silver



OB026
Worldpen



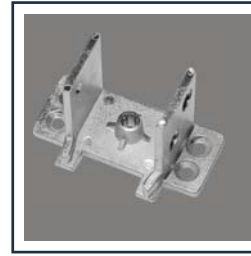
OB027
Schönline 6000



OB028
Plastline



OB029
Fratpen 7060



OB030
Vinka 6000



OB031
Erpen Extraline 54



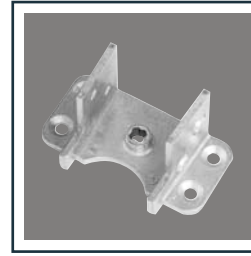
OB032
Kompen 600 Termoline



OB033
Alfapen Armada



OB034
Saraypen Dar



OB035
Polipen 603 Dar



OB036
Polipen 603 Wide



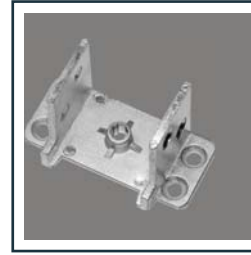
OB037
Vivaplast



OB038
Pakpen Global Narrow



OB039
Pakpen Global Wide



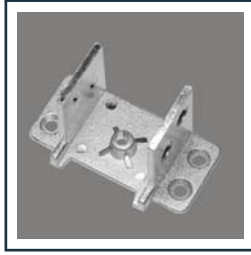
OB040
Proline 6000

Mullion Connectors

● Mullion Connectors



OB041
Tecnoplast Megatec



OB042
Keban Hazal



OB043
Erpen Sembol



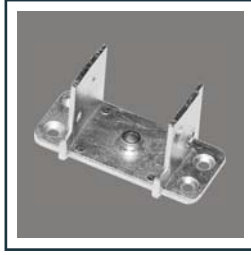
OB044
Erpen Trend 62



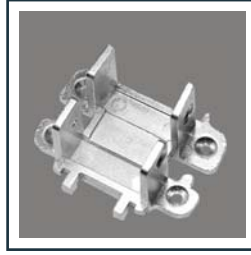
OB045
Europen 7000



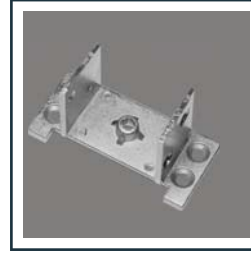
OB046
Tecnoplast Yeni Supertec



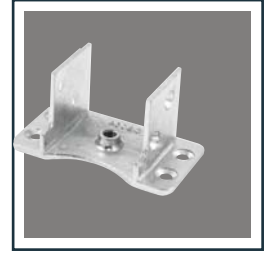
OB047
Saraypen Wide



OB051
Egepen Zendow



OB053
Enderpen Masterline



OB054
Enderpen Vizyonline



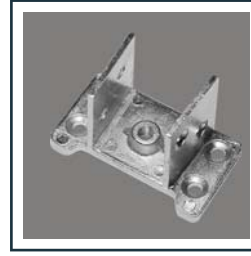
OB055
Erpen Combilline 72



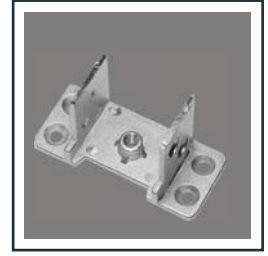
OB056
Europen Elit



OB061
Natural 6000 Trova



OB065
Pensa Bonus



OB072
Forza 5200 Eco



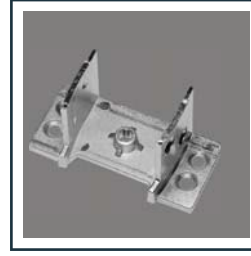
OB075
Fıratpen 7060 Eco



OB076
Egepen Max



OB077
Artwin



OB078
Winapex 6004



OB079
Uniplast 6000-7000



OB081
Uniplast Ecolim



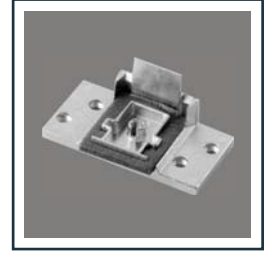
OB082
Karpen



OB083
Pakpen Rival



OB085
WinTurk



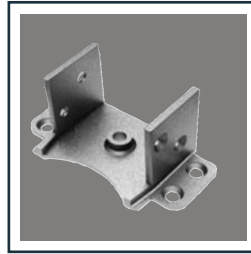
OB086
Vivaplast



OB087
Aplas



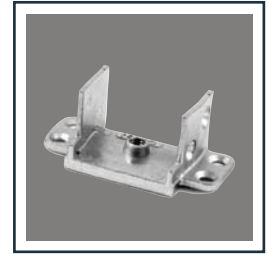
OB088
Aplas 7000



OB089
Teraplast 4 Section



OB090
Pakpen Ideal



OB091
Firat 7000 Eco New



OB092
Propen 6000



OB093
Pakpen Royal



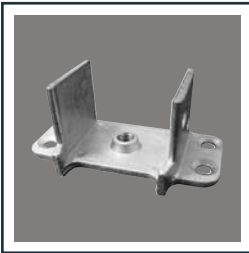
OB094
Erpen Trend Eco



OB095
Eurofasad



OB096
Europen 7000 Eco



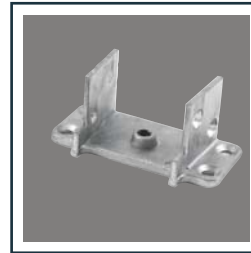
OB097
Worldpen 6000 Eco



OB098
Pentech Eco



OB099
Alfapen Armada Eco



OB100
Erpen Smartline Eco



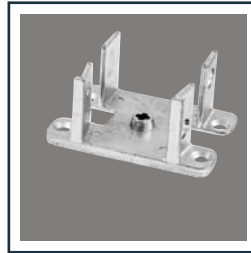
OB101
Propen 7000



OB102
Eurotech Eco Narrow



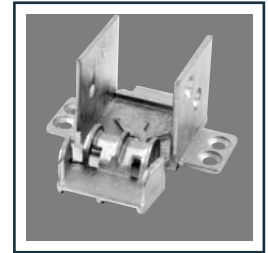
OB103
Enderpen Clascompact



OB104
Pakpen Optimal



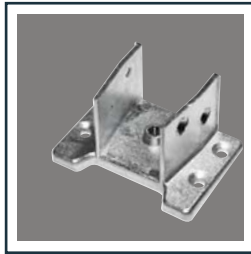
OB105
Slide Flyscreen



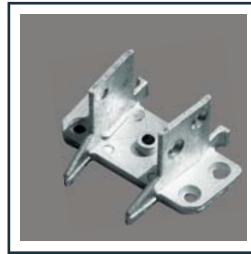
OB106
Teraplast 7 Section



OB107
New Firat 6070



OB109
Firat S75 / Garnet 70



OB111
Firat Selenit



OB111 EKO
Firat S 75 Selenit



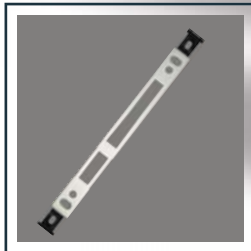
OB112
Asaşpen 6040

Locking Plates

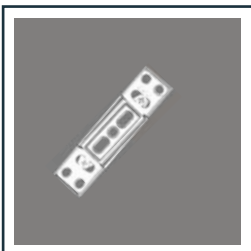
- Locking Plates



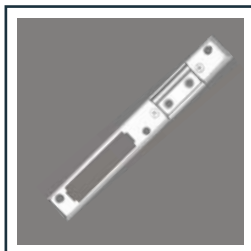
KK001
Universal Adjustable Latch
And Deadbolt Plate
Zinc



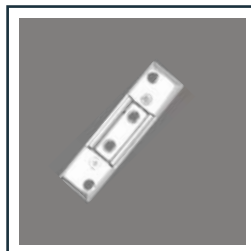
A023
Adjustable Latch & Deadbolt
Plate For Euro Groove
Aluminium Profiles



KK002
Adjustable Latch Plate
Zinc



KK010
Adjustable Latch And
Deadbolt Plate
Iron Sheet



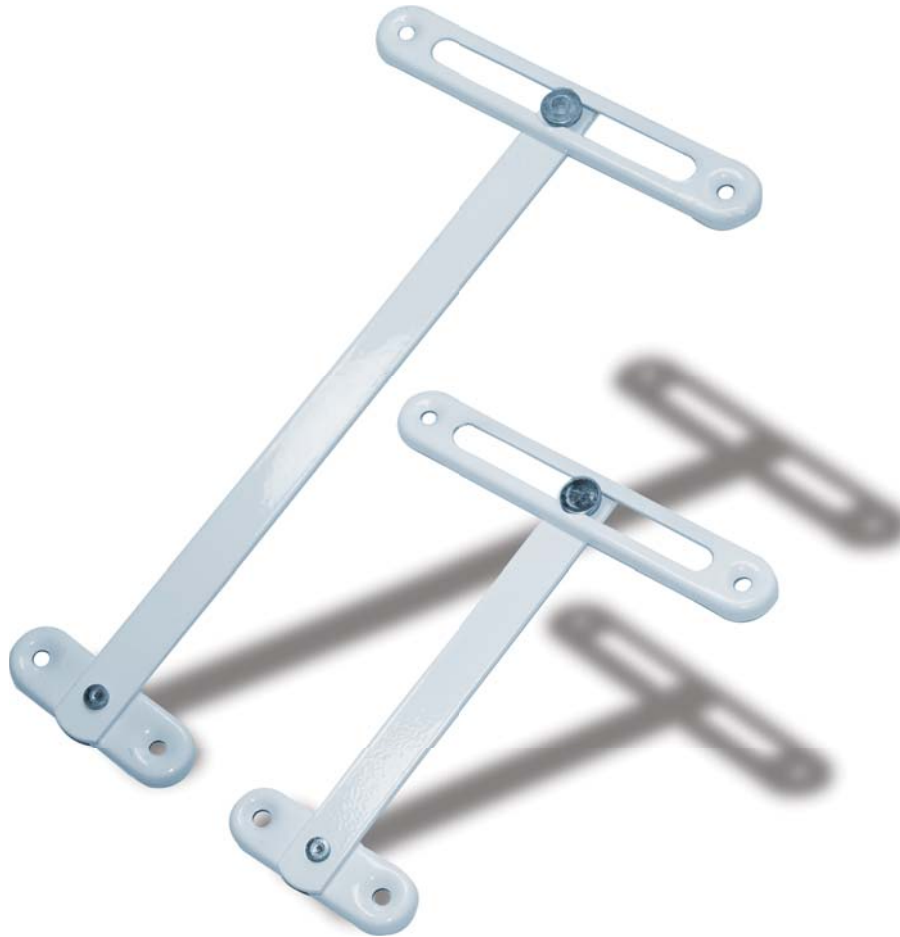
KK009
Adjustable Latch Plate
Iron Sheet



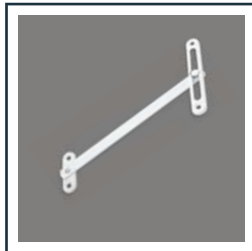
KK011
Universal Adjustable Latch
And Deadbolt Plate
Iron Sheet / Plastic Body



KK012
Universal Adjustable Latch
And Deadbolt Plate
Zinc / Plastic Body



V005
Transom Scissors 13cm
Iron Sheet



V006
Transom Scissors 22cm
Iron Sheet



V003
Transom Locked
Aluminium



PS008
Adjustable Transom Lock
Plastic



PLS021
Transom Lock
Plastic



V007
Transom Scissors
Steel



V008
Folding Transom Scissors 13cm
Steel



V004
Balcony Door Fastener



V009
Balcony Door Fastener
Plastic Body
9 Axis



V010
Balcony Door Fastener
Plastic Body
13 Axis

Sliding Accessories

● Sliding Accessories



SA001
Sliding Roller
Big
Polyamide



SA008
Sliding Roller
Big
Brass



SA003 Pimaş
Sliding Roller



SA038 Egepen
Sliding Roller
Double Wheels Polyamide
Polyamide



SA006
Sliding Roller
Small Single Wheel Brass



SA002
Sliding Roller
Double Wheels Polyamide
Iron Sheet



SA019
Sliding Roller
Double Wheels
Iron Sheet



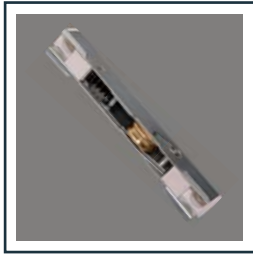
SA028
Sliding Roller
Double Wheels Brass Import
Iron Sheet



SA017
Sliding Roller
Single Wheels Polyamide
Iron Sheet



SA018
Sliding Roller
Double Wheels
Iron Sheet



SA029
Sliding Roller
Single Wheels Brass Import
Iron Sheet



SA026
Sliding Roller
Adjustable Double Wheels



SA034
Sliding Roller
Adjustable Single Wheels



SA037
Double Door Sliding
Left-Right
Iron Sheet



SA039
Double Window Sliding
Up - Down
Plastic Body



SA009
Double Door Sliding
Up - Down
Iron Sheet



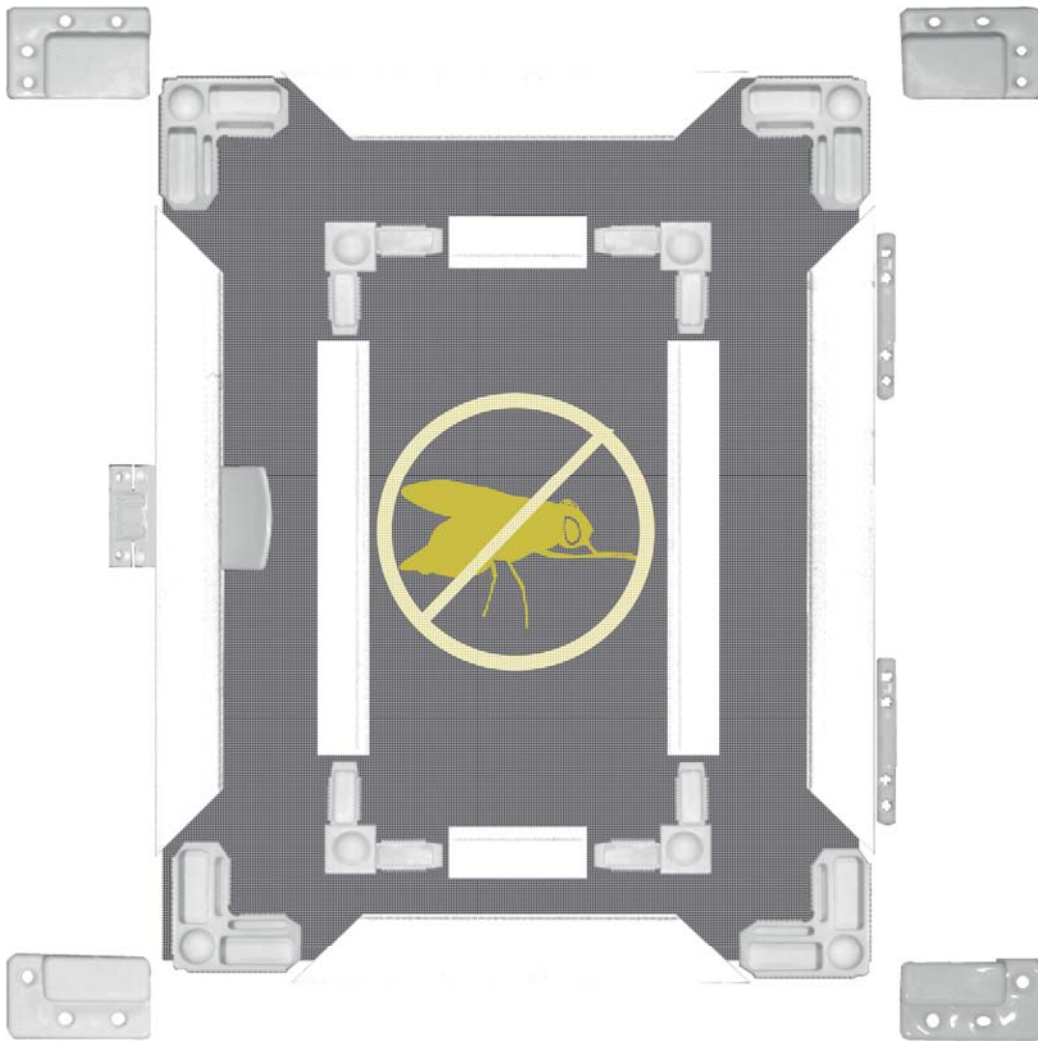
SA010
Double Window Sliding
Up - Down
Iron Sheet



SA011
Double Window Sliding
Left-Right
Zinc



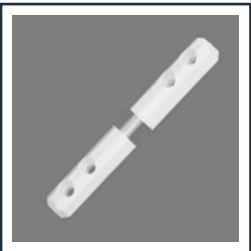
SA012
Double Door Sliding
Left-Right
Steel



ASG001



ASG002



ASG003



ASG004



ASG005



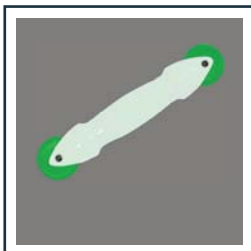
ASG006



ASG007



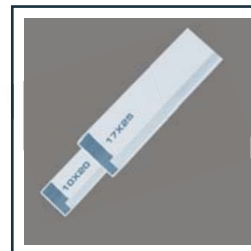
ASG008



ASG024



ASG029



ASG030



ASG031

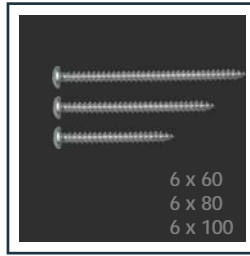
Screw Group

Screw Group



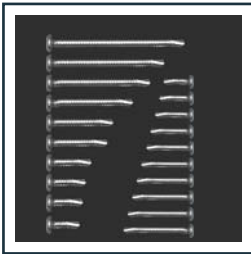
3,9 x 13	4,2 x 13	4,8 x 32
3,9 x 16	4,2 x 16	4,8 x 38
3,9 x 19	4,2 x 19	4,8 x 45
3,9 x 22	4,2 x 22	4,8 x 50
3,9 x 25	4,2 x 25	4,8 x 60
3,9 x 32	4,2 x 32	4,8 x 70
3,9 x 38	4,2 x 38	4,8 x 80
	4,2 x 45	

AKV001
YHB Self Drill Screws



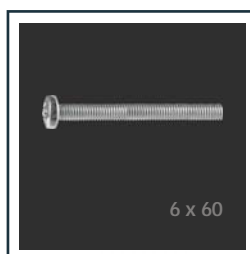
6 x 60
6 x 80
6 x 100

AKV006
YSB Rare Thread



3,9 x 16	4,2 x 13	4,8 x 16
3,9 x 19	4,2 x 16	4,8 x 19
3,9 x 22	4,2 x 19	4,8 x 32
3,9 x 25	4,2 x 22	4,8 x 38
3,9 x 32	4,2 x 25	4,8 x 45
3,9 x 38	4,2 x 32	4,8 x 50
	4,2 x 38	4,8 x 60
	4,2 x 45	4,8 x 70
		4,8 x 80

AKV002
YSB Self Drill Screws



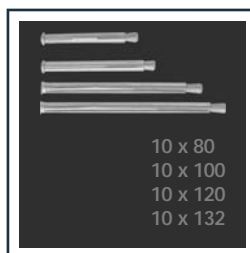
6 x 60

AKV007
YSB Metric Thread



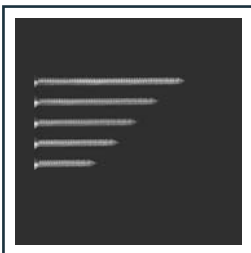
3,9 x 16	4,2 x 13	4,8 x 32
3,9 x 22	4,2 x 38	4,8 x 38
3,9 x 25	4,2 x 45	4,8 x 45
3,9 x 32		
3,9 x 38		

AKV003
Espagnolette Screws
YHB Rare Thread



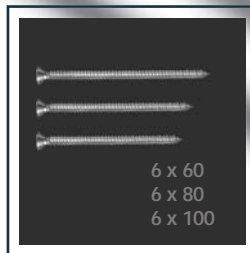
10 x 80
10 x 100
10 x 120
10 x 132

CD002 - CD003 - CD004 - CD005
Steel Anchor



7,5 x 60
7,5 x 80
7,5 x 100
7,5 x 120
7,5 x 150
7,5 x 160
7,5 x 180

AKV004
Montage Screw Buldex



6 x 60
6 x 80
6 x 100

AKV005
YHB Rare Thread





IZO01



IZO02



IZO03



CM01
Thiakol (A)-(B)



PS.010
Thin Glass Wedge



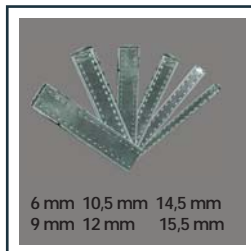
PS.013
Middle Glass Wedge



PS.015
Thick Glass Wedge



CM04



CM03



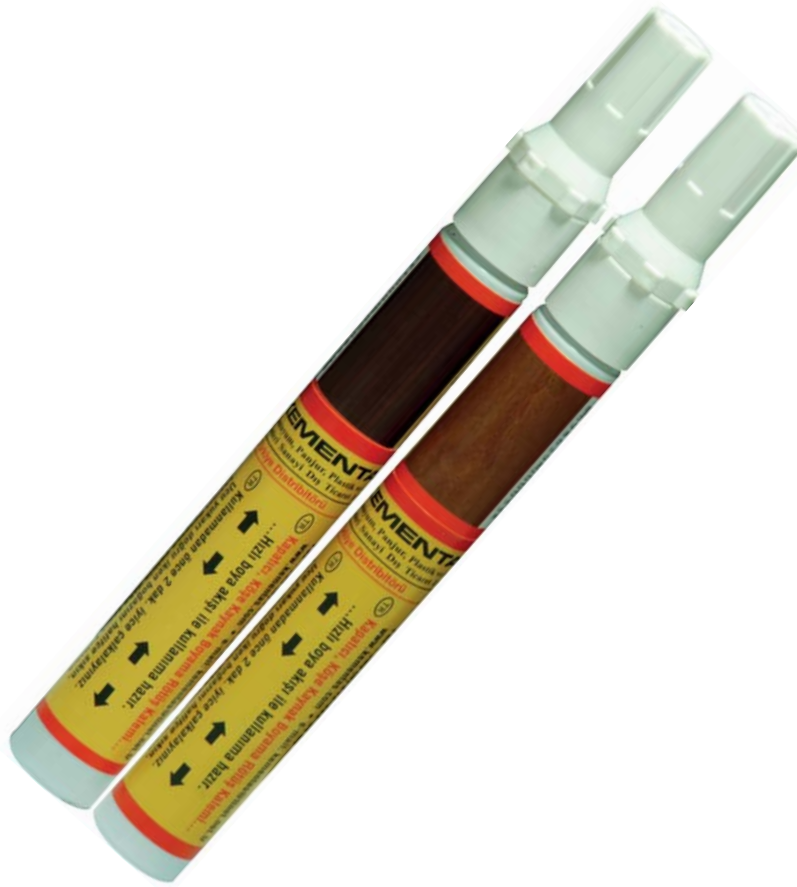
CM02



USS Nippers

Other Accessories

- Other Accessories



Type 02
24mm



Type 02
18mmteel



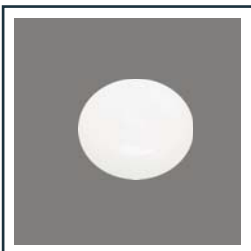
PS.018
Plastic Wall Plug
With Claws 8mm



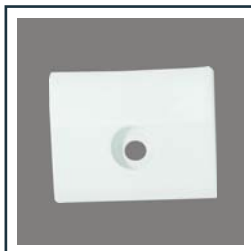
PS.016
Montage Plug12mm



PS.011
Water Dashboard Plug



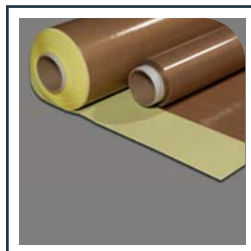
PS.012
Buldex Screw Plug



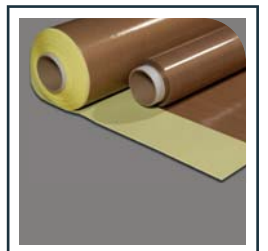
PS.017
Sash Lift Wedge



RT001
Retouch Marker



TF001
Teflon Sticky



TF002
Teflon Not Sticky



AA003
Window Handle
For Fixed Facades
Double Fork Leaf



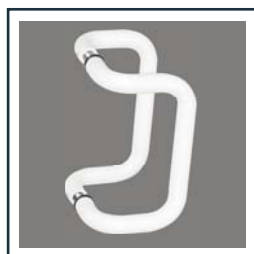
AA009
Cremona Handle
Single Fork Leaf



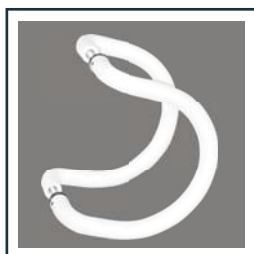
A023
Adjustable Latch & Deadbolt
Plate For Euro Groove
Aluminium Profiles

Aluminium Door and Window Accessories

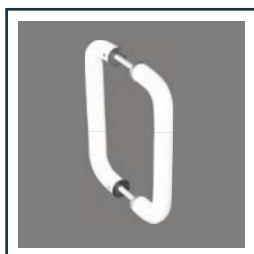
Aluminium Door and Window Accessories



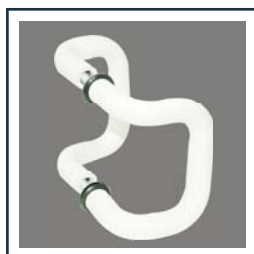
Code	Ø	A
AK100	25	200
AK101	25	300
AK102	25	400
AK104	30	300
AK105	30	400



Code	Ø	A
AK200	25	200
AK201	25	300
AK203	30	300



Code	Ø	A
AK300	25	200
AK301	30	200



AK402



AK403



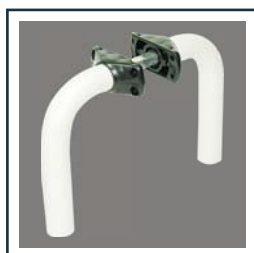
AK412



AK400



AK401



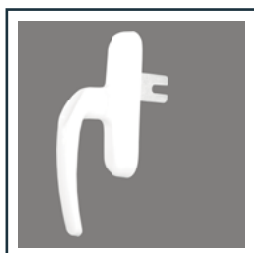
AK404



AK405



AK406



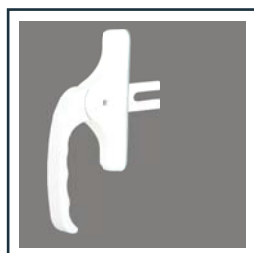
AK407



AK408



AK409



AK410



AK411



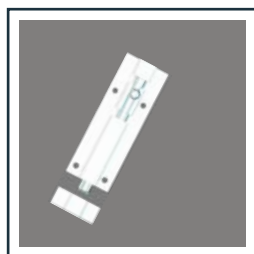
AK500



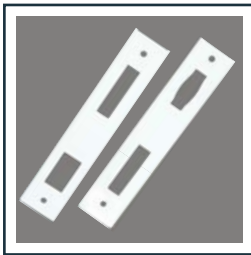
AK501



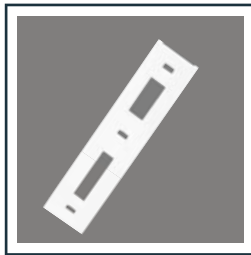
AK502



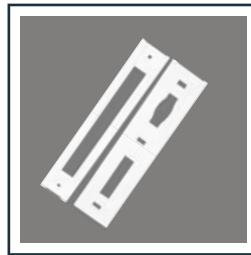
AK503



AK600 / AK601



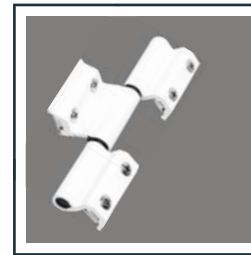
AK602



AK603



AK704



AK705



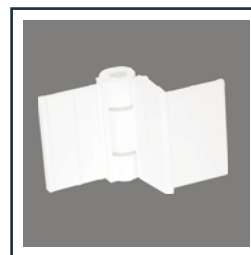
AK700



AK701



AK702



AK708



AK706



AK800



AK801



AK802



AK803



AK900



AK904



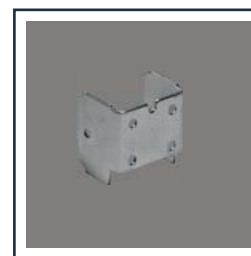
AK901



AK905



AK902

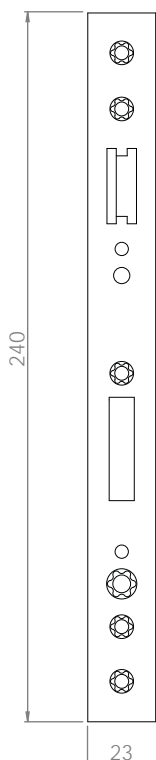
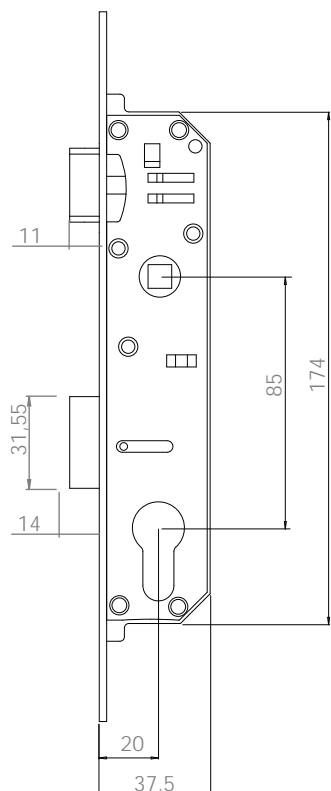




AK903

Mortice Locks For Aluminium

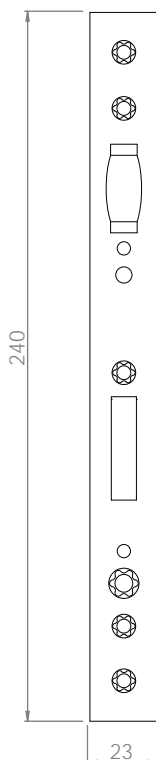
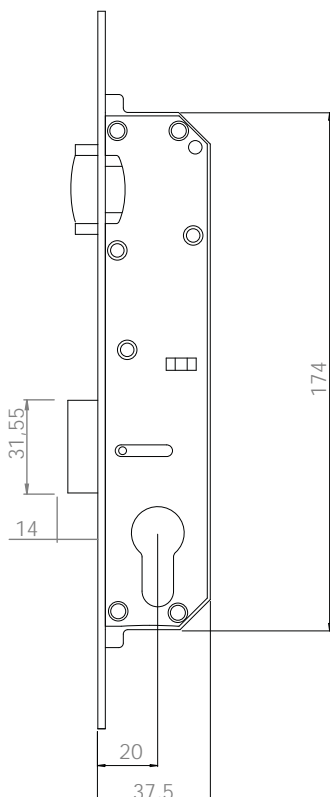
- Plastic Lock Case - Metal Cover Locks



- PZ: 85 mm Backset: 20 mm



	Qty. 	Kg
KIL011	40	9,50

- Backset: 20 mm





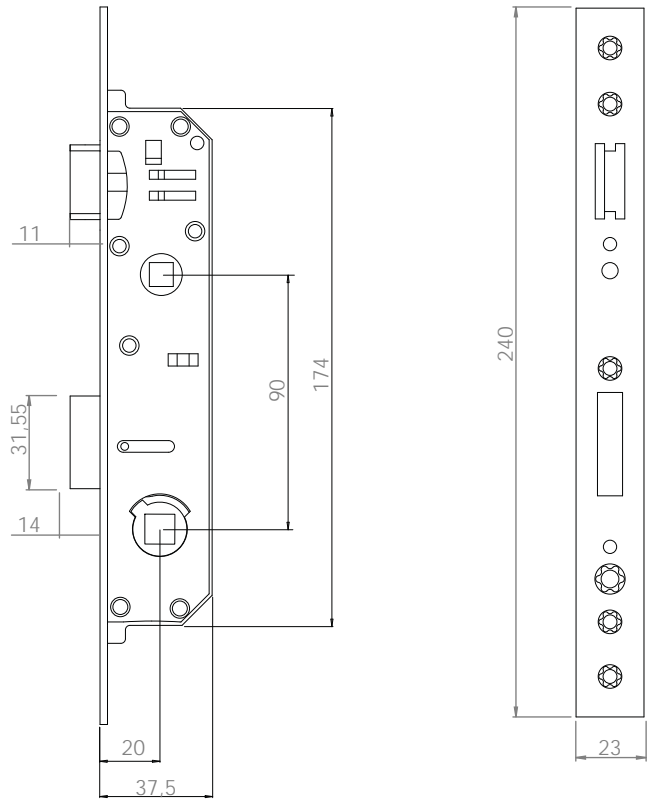
	Qty. 	Kg
KIL013	40	12,50

Mortice Locks For Aluminium



Plastic Lock Case - Metal Cover Locks ●

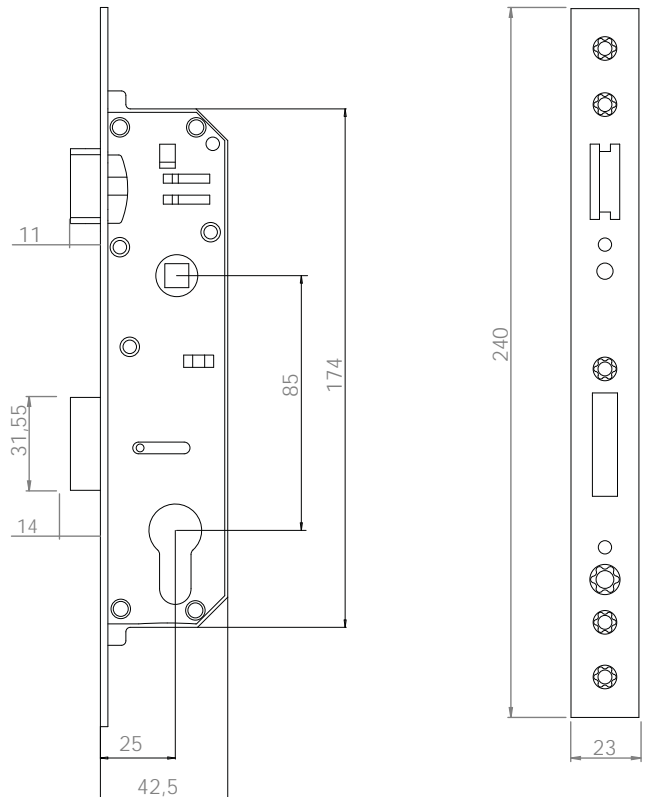
PZ: 90 mm Backset: 20 mm ●

	Qty. 	Kg
KIL039	40	-



PZ: 85 mm Backset: 25 mm ●

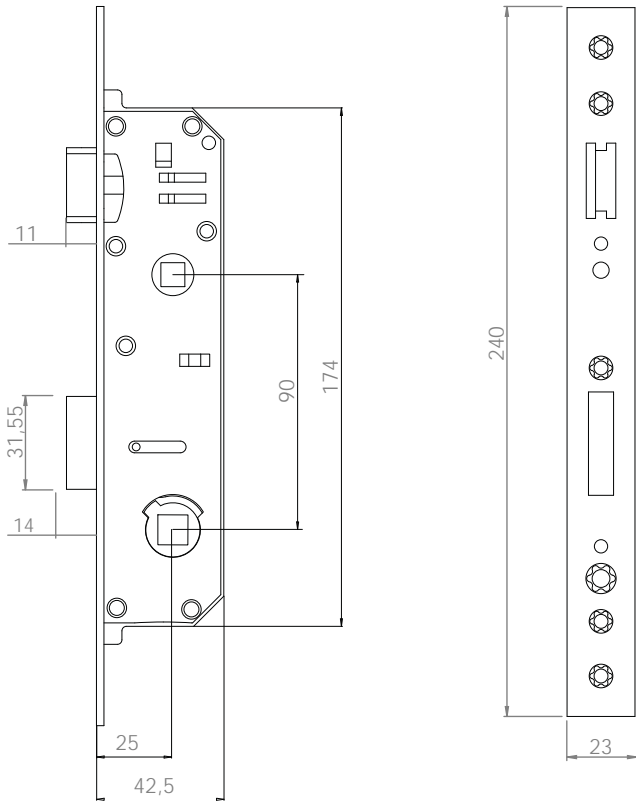
	Qty. 	Kg
KIL012	40	13,00



Mortice Locks For Aluminium

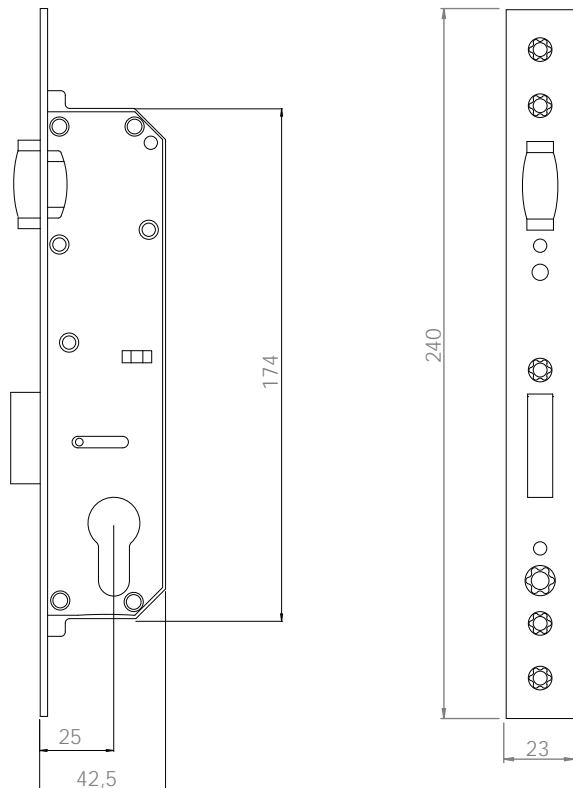
- Plastic Lock Case - Metal Cover Locks

- PZ: 90 mm Backset: 25 mm



	Qty.	Kg
KIL037	40	-

- Backset: 25 mm





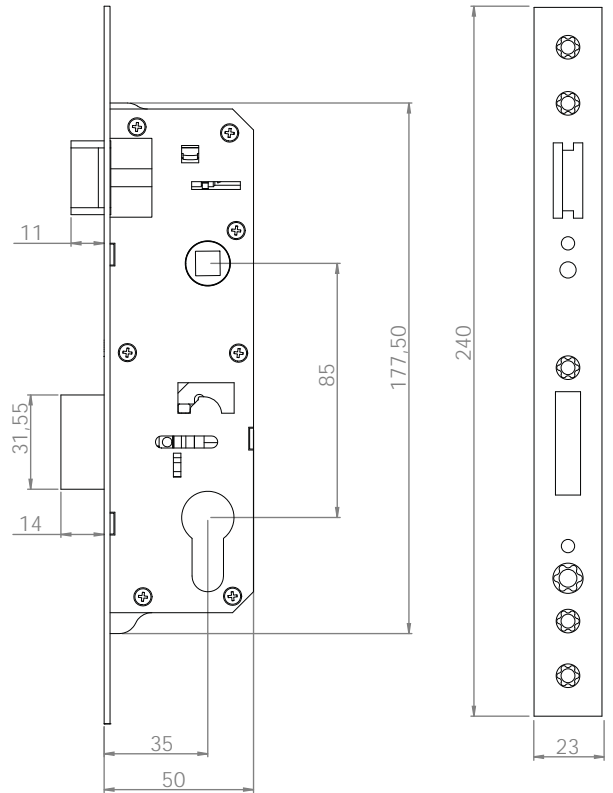
	Qty.	Kg
KIL014	40	12,50

Mortice Locks For Aluminium



Plastic Lock Case - Metal Cover Locks ●

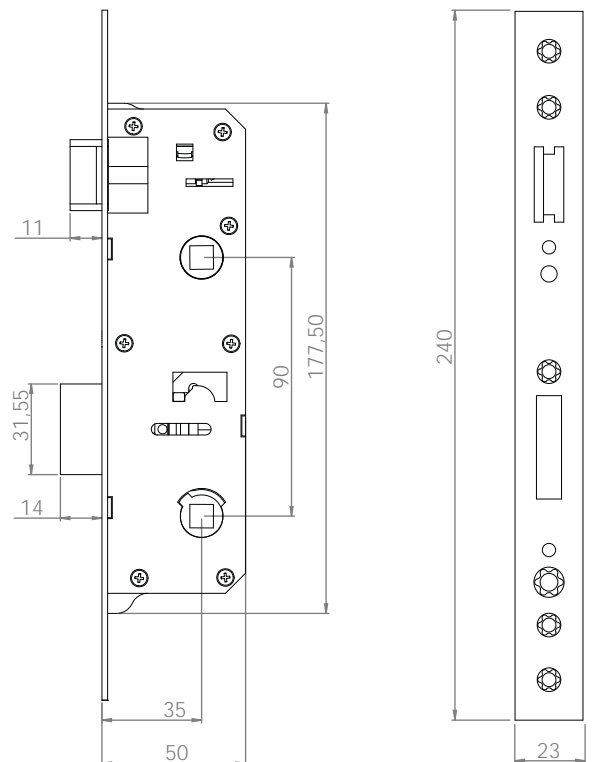
PZ: 85 mm Backset: 35 mm ●

	Qty. 	Kg
KILO38	40	-



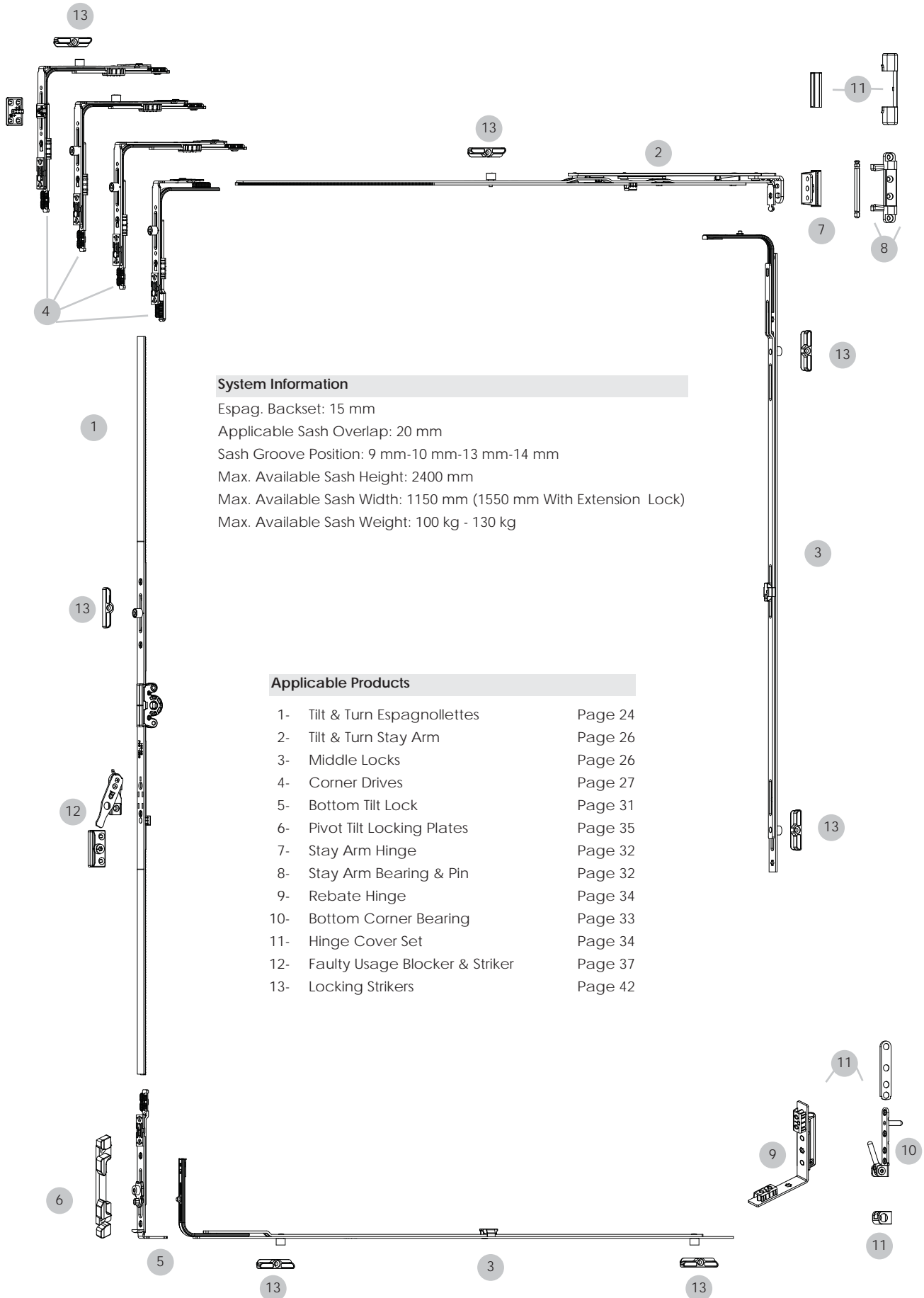
PZ: 90 mm Backset: 35 mm ●

	Qty. 	Kg
KILO40	40	-



Tilt And Turn Systems For Aluminium

● 15 mm Backset

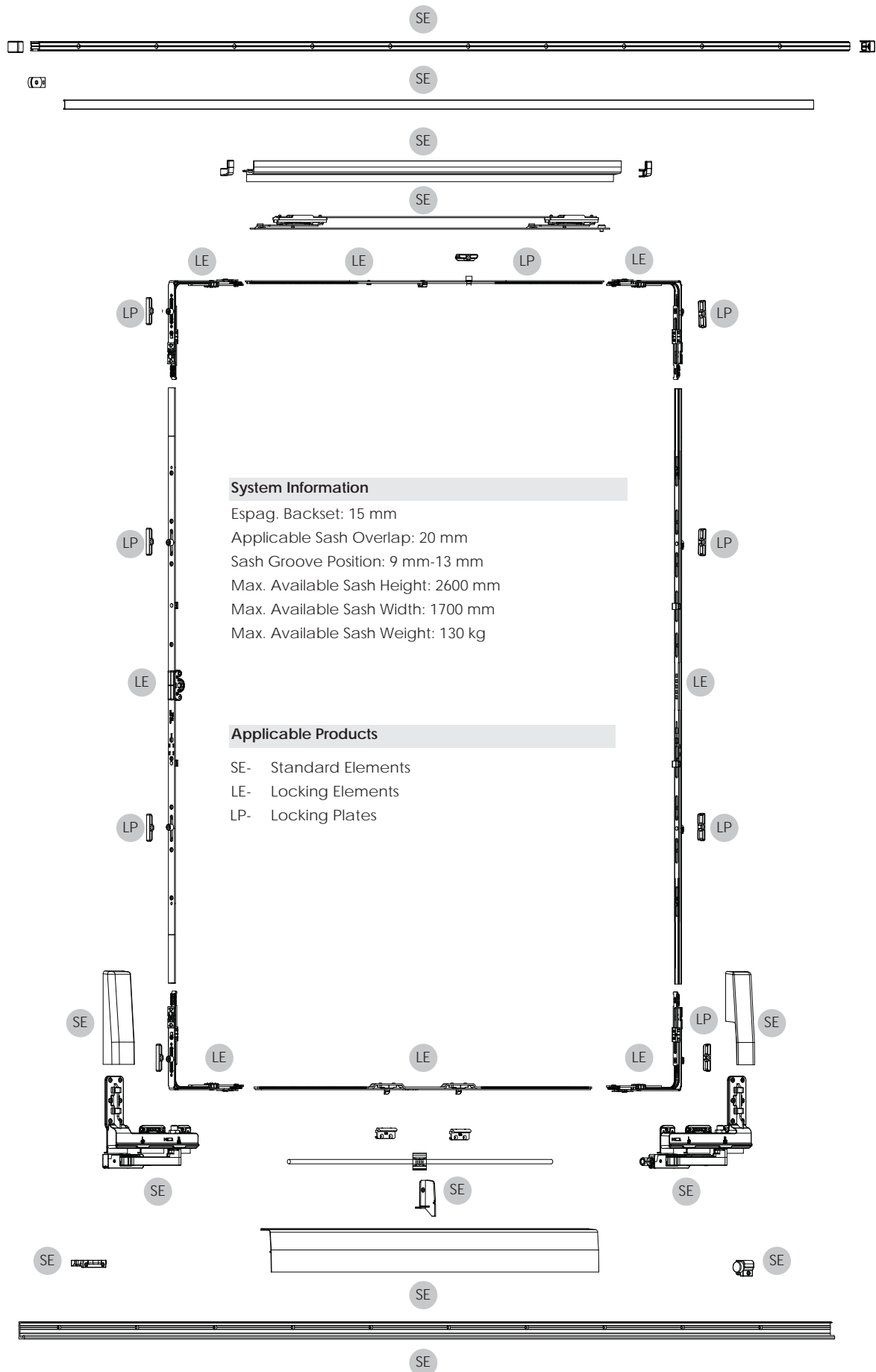


System Information

Espag. Backset: 15 mm
 Applicable Sash Overlap: 20 mm
 Sash Groove Position: 9 mm-10 mm-13 mm-14 mm
 Max. Available Sash Height: 2400 mm
 Max. Available Sash Width: 1150 mm (1550 mm With Extension Lock)
 Max. Available Sash Weight: 100 kg - 130 kg

Applicable Products

1- Tilt & Turn Espagnollettes	Page 24
2- Tilt & Turn Stay Arm	Page 26
3- Middle Locks	Page 26
4- Corner Drives	Page 27
5- Bottom Tilt Lock	Page 31
6- Pivot Tilt Locking Plates	Page 35
7- Stay Arm Hinge	Page 32
8- Stay Arm Bearing & Pin	Page 32
9- Rebate Hinge	Page 34
10- Bottom Corner Bearing	Page 33
11- Hinge Cover Set	Page 34
12- Faulty Usage Blocker & Striker	Page 37
13- Locking Strikers	Page 42



System Information

Espag. Backset: 15 mm
 Applicable Sash Overlap: 20 mm
 Sash Groove Position: 9 mm-13 mm
 Max. Available Sash Height: 2600 mm
 Max. Available Sash Width: 1700 mm
 Max. Available Sash Weight: 130 kg

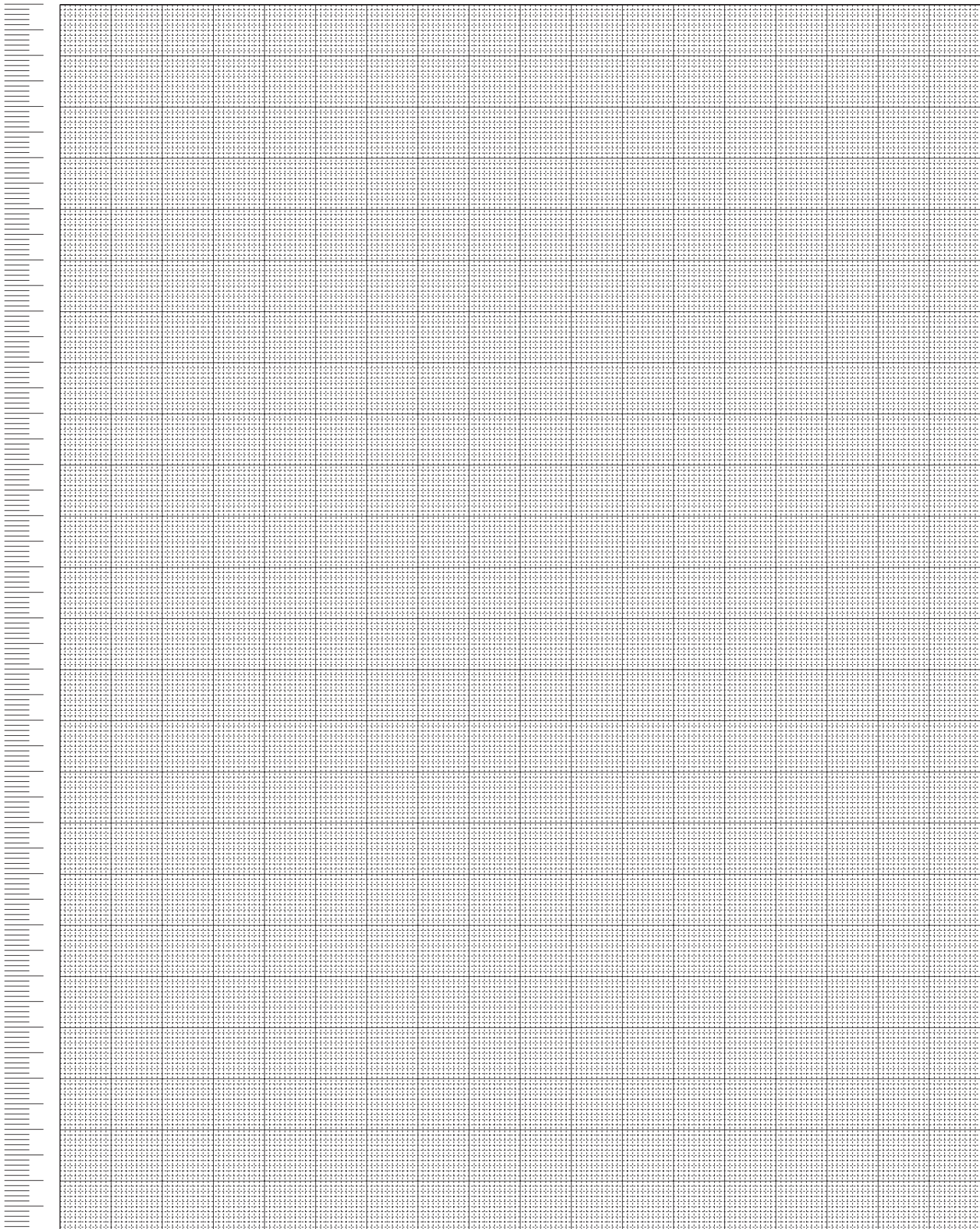
Applicable Products

- SE- Standard Elements
- LE- Locking Elements
- LP- Locking Plates

Subject:

A large grid of graph paper with a vertical ruler on the left side. The ruler is marked in centimeters and millimeters. The grid consists of 20 columns and 25 rows of small squares.

Subject:





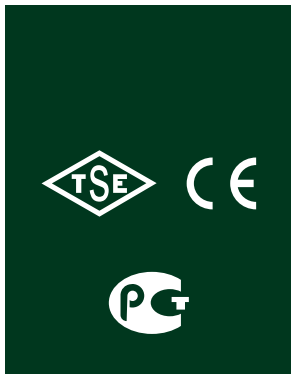
akpen[®]
New Line

“SALES POINTS”



30 *years*

www.akpennew.com



AKPEN PLASTİK PENCERE
AKSESUARLARI NAKLİYE
SAN. İÇ VE DIŞ TİC. A.Ş.

[f facebook.com/akpennew](https://facebook.com/akpennew)
[@ instagram.com/akpennew](https://instagram.com/akpennew)
[@ info@akpennew.com](mailto:info@akpennew.com)
www.akpennew.com

Atatürk Sanayi Bölgesi Hadımköy Mah.
Haşim İşcan Caddesi NO: 4 Hadımköy
34555 Arnavutköy İSTANBUL TÜRKİYE

T: +90 212 798 34 34
F: +90 212 798 35 28
G: +90 533 705 5245

